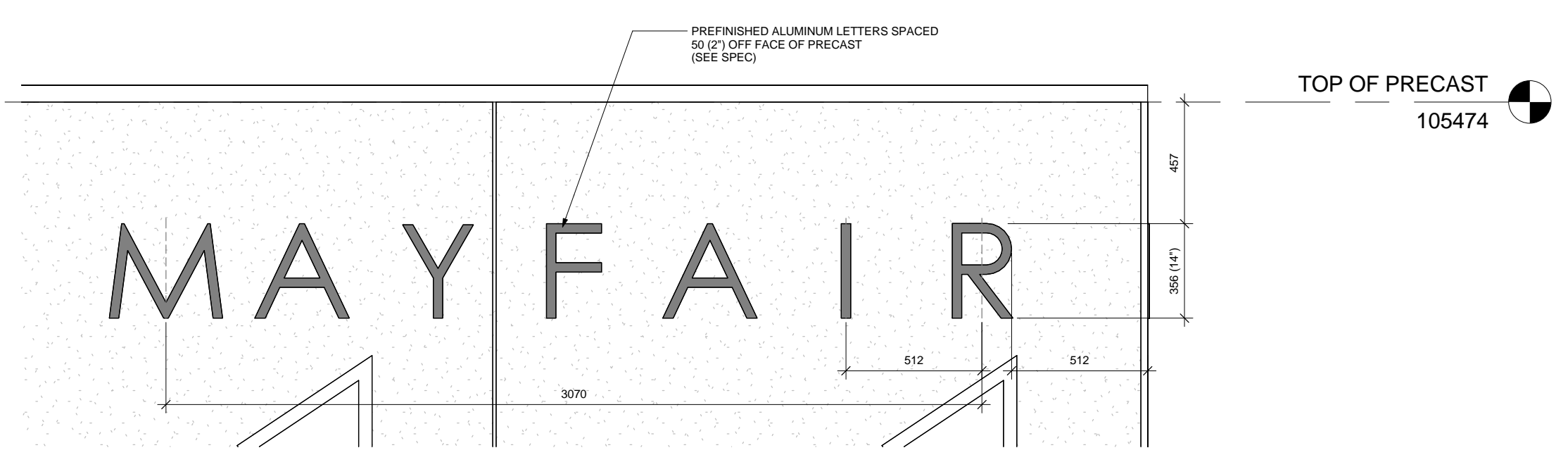
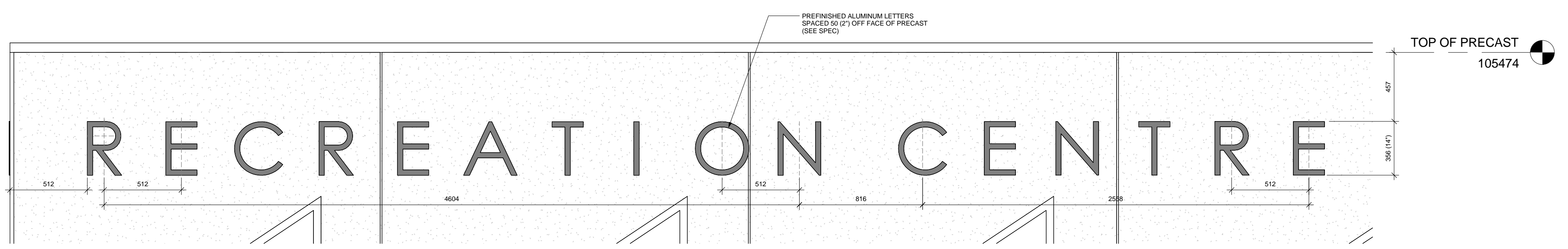


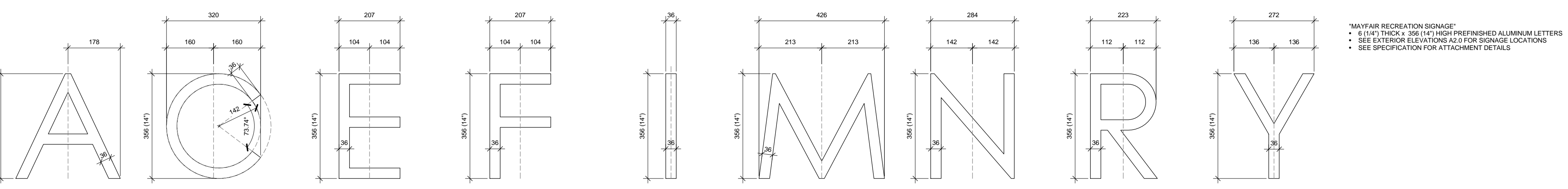
1 SIGNAGE AT EAST ELEVATION  
1:20



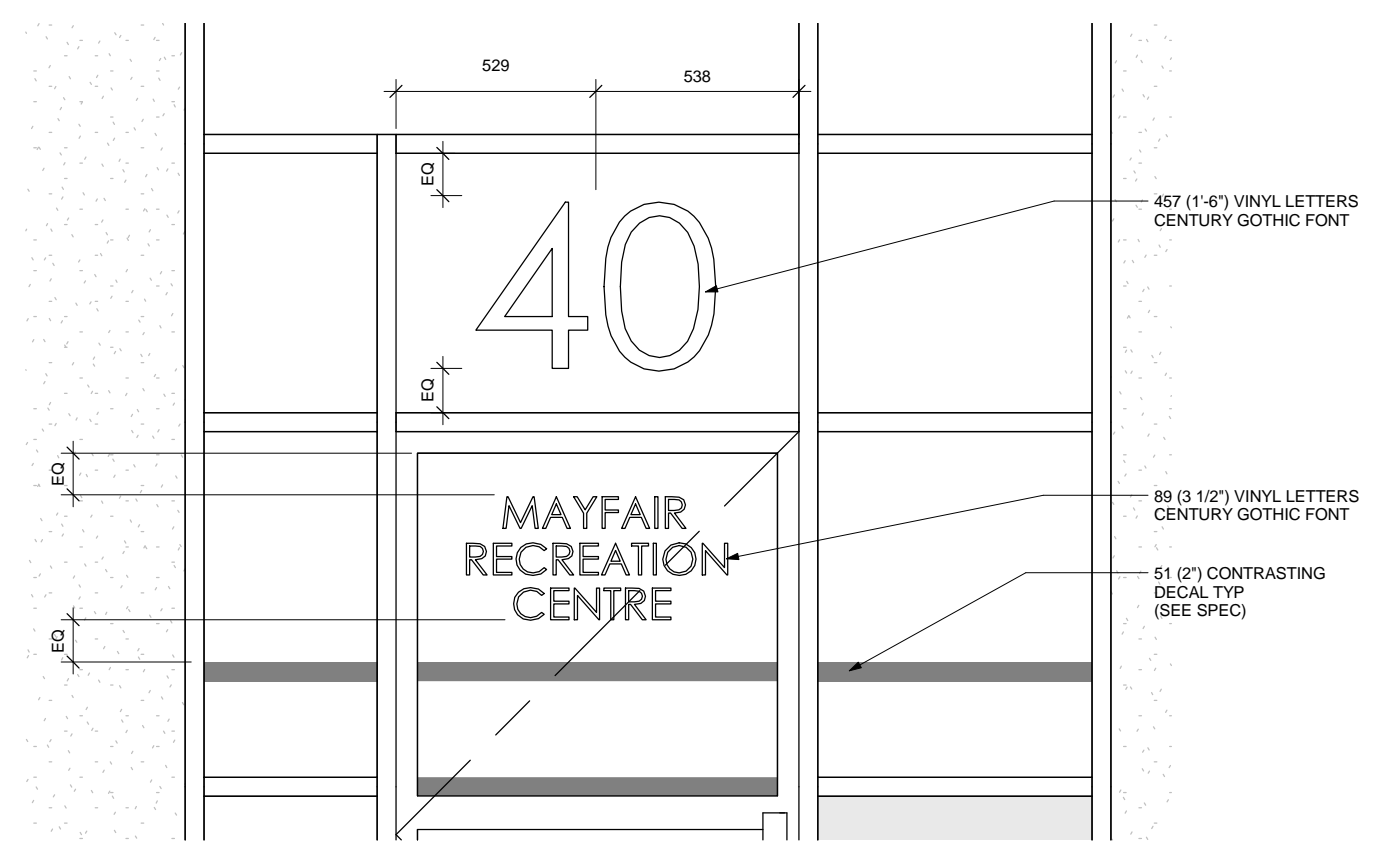
2 SIGNAGE AT WEST ELEVATION  
1:20



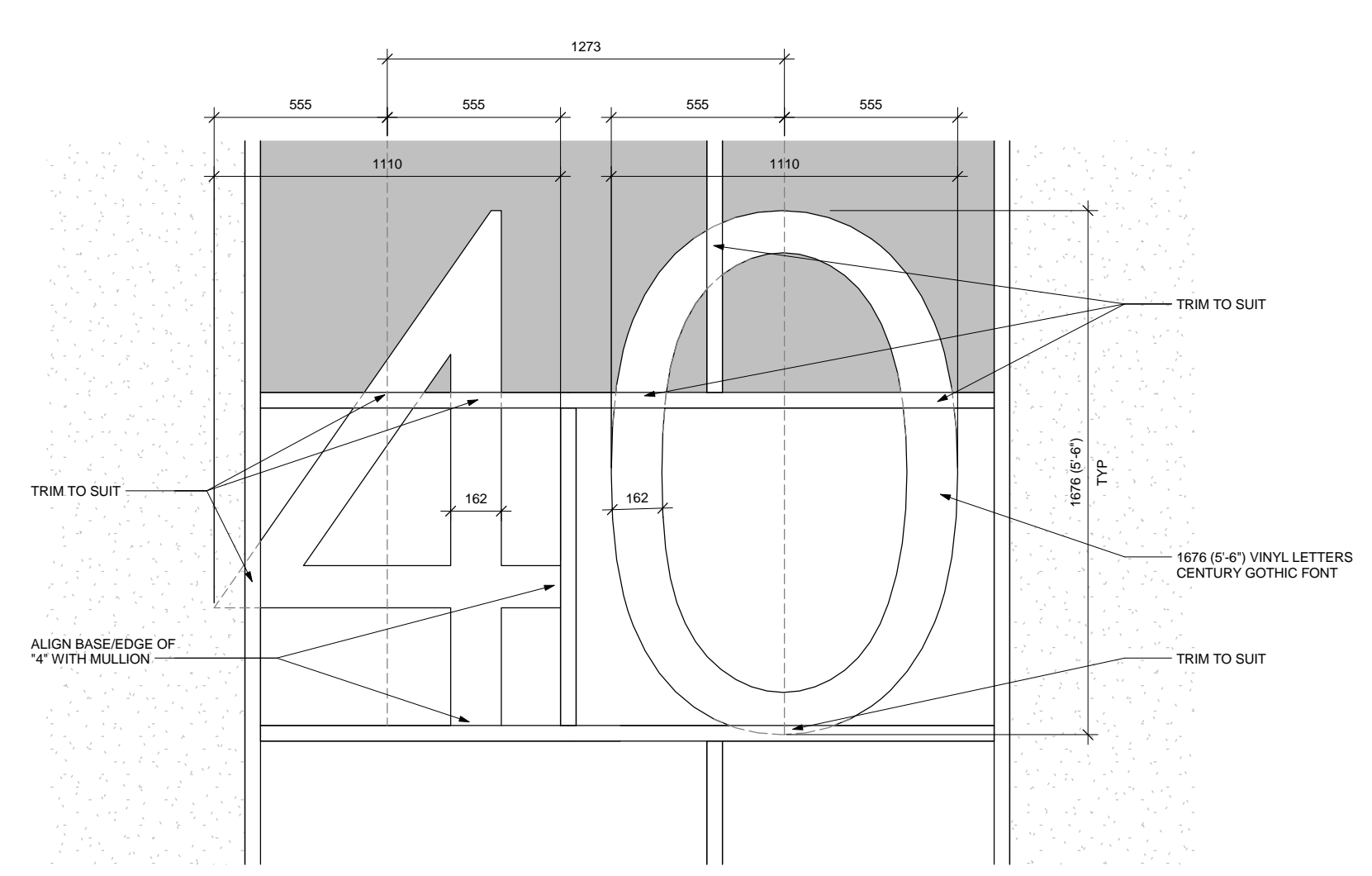
3 SIGNAGE AT SOUTH ELEVATION  
1:20



4 SIGNAGE LETTERS  
1:10



6 WINDOW SIGNAGE AT NORTH ELEVATION  
1:20



5 WINDOW SIGNAGE AT WEST ELEVATION  
1:20