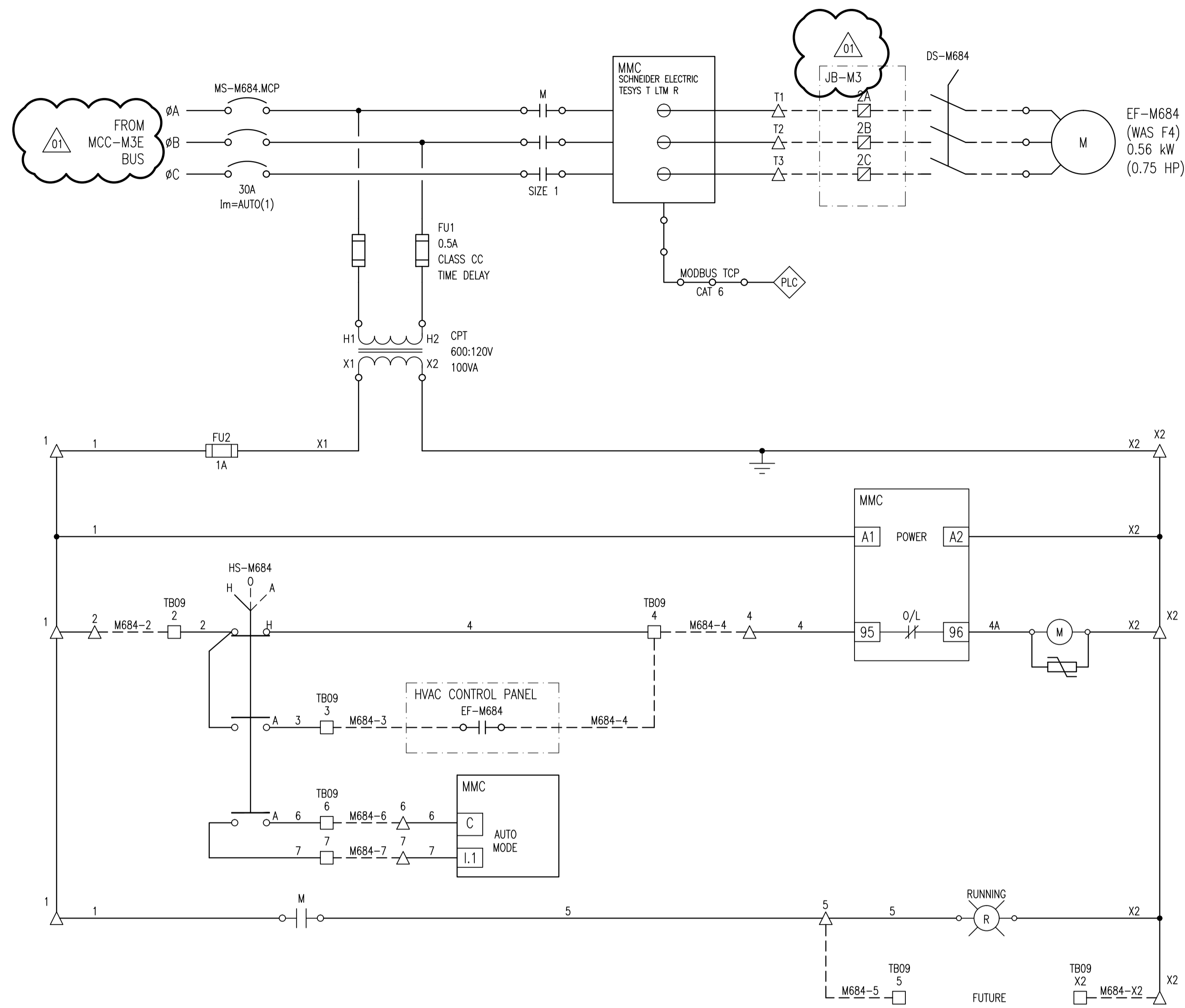
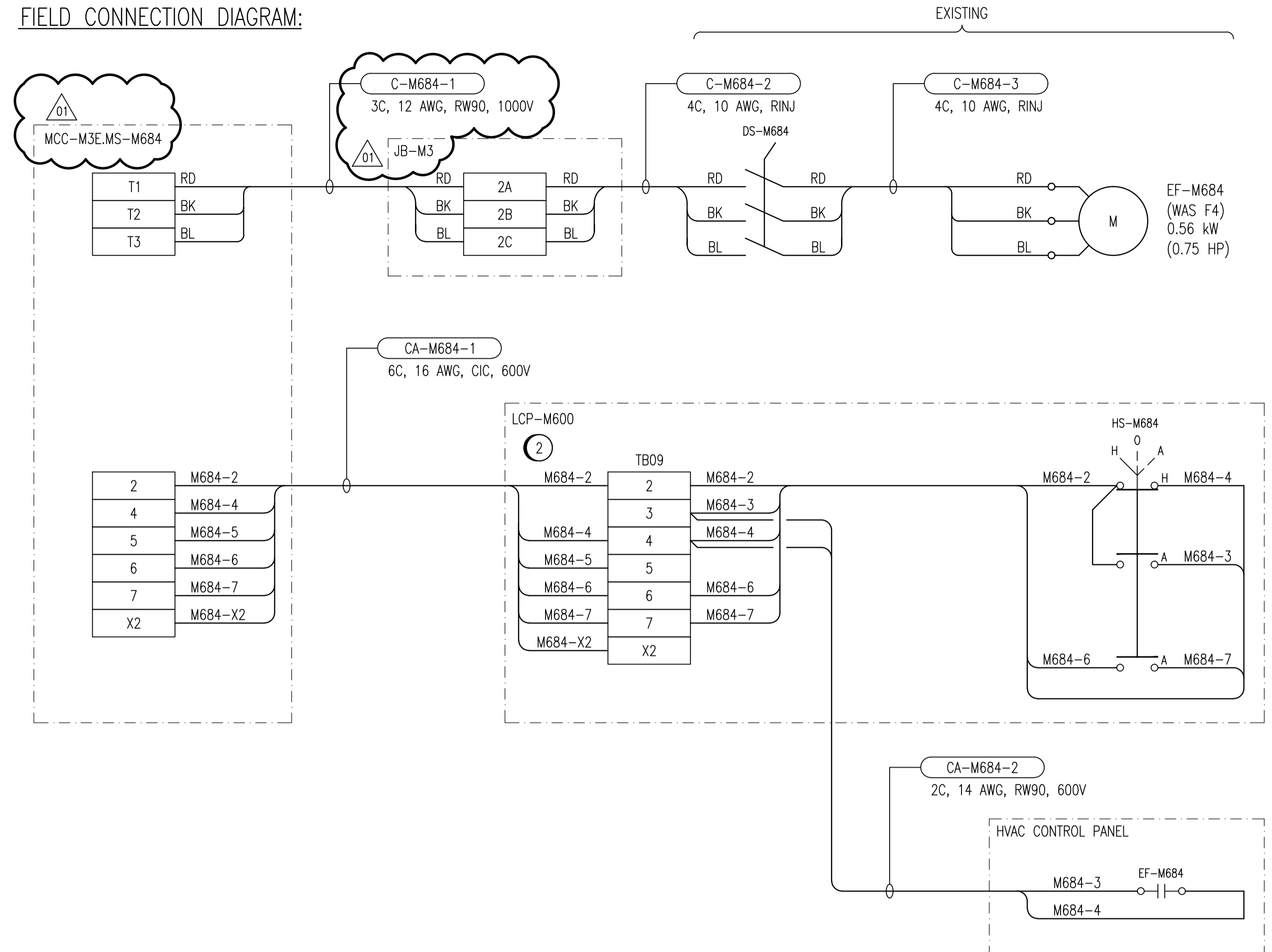


A1 SIZE - 594mm x 841mm

ELEMENTARY DIAGRAM:



FIELD CONNECTION DIAGRAM:



CONSTRUCTION NOTES:

- ① CONFIRM THAT ALL EXISTING CONTROLS ARE REPLACED BY THE NEW CONTROLS. ADVISE THE CONTRACT ADMINISTRATOR OF ANY EXISTING INTERLOCKS OR CONTROLS NOT SHOWN ON THIS DRAWING.
- ② INSTALL NEW LCP-M600 TO REPLACE EXISTING HVAC HOA SWITCHES.

LEGEND:

- △ TERMINAL IN MOTOR STARTER COMPARTMENT
- TERMINAL IN LCP-M600
- ⊠ TERMINAL IN JUNCTION BOX
- ⊙(R) INDICATING LIGHT, R = RED, A = AMBER
- ⊙(M) CONTACTOR COIL
- ⊠ TRANSIENT VOLTAGE SUPPRESSOR

LAST SAVE: 2012/08/16 - 4:09pm
PATH: M:\508955\4ENG\47ELE\DD - General DWG\1-0630M-E0053-001-01.dwg

1-0630M-E0027	MCC ELEVATION, MCC-M3E	△
1-0630M-E0025	SINGLE LINE DIAGRAM, MCC-M3E	□
DRAWING NUMBER	REFERENCE DRAWINGS	



 SNC-LAVALIN INC. 148 Nature Park Way Winnipeg, MB, Canada R3P 0X7 204-786-8080		ENGINEER'S SEAL
DESIGNED BY: B. CLEVEN	CHECKED BY: C. REIMER	PRELIMINARY NOT TO BE USED FOR CONSTRUCTION
DRAWN BY: M.J. PERSSON	APPROVED BY: C. REIMER	
SCALE: NTS	RELEASED FOR CONSTRUCTION BY:	THE CITY OF WINNIPEG WATER AND WASTE DEPARTMENT MACLEAN WATER PUMPING STATION MOTOR STARTER SCHEMATIC EF-M684 PUMP ROOM EXHAUST FAN
DATE: 2012/05/03	DATE:	
CONSULTANT NO.: 508955-0000-47DD-0053		CITY DRAWING NUMBER 1-0630M-E0053
NO. REVISIONS	DATE DESIGN CHECK	SHEET REV. SIZE 001 01 A1