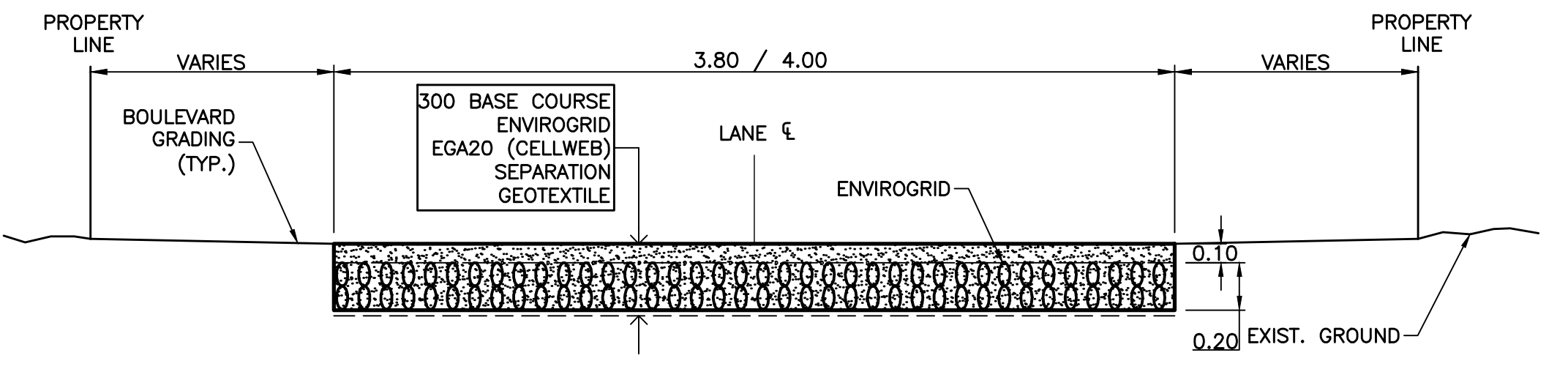
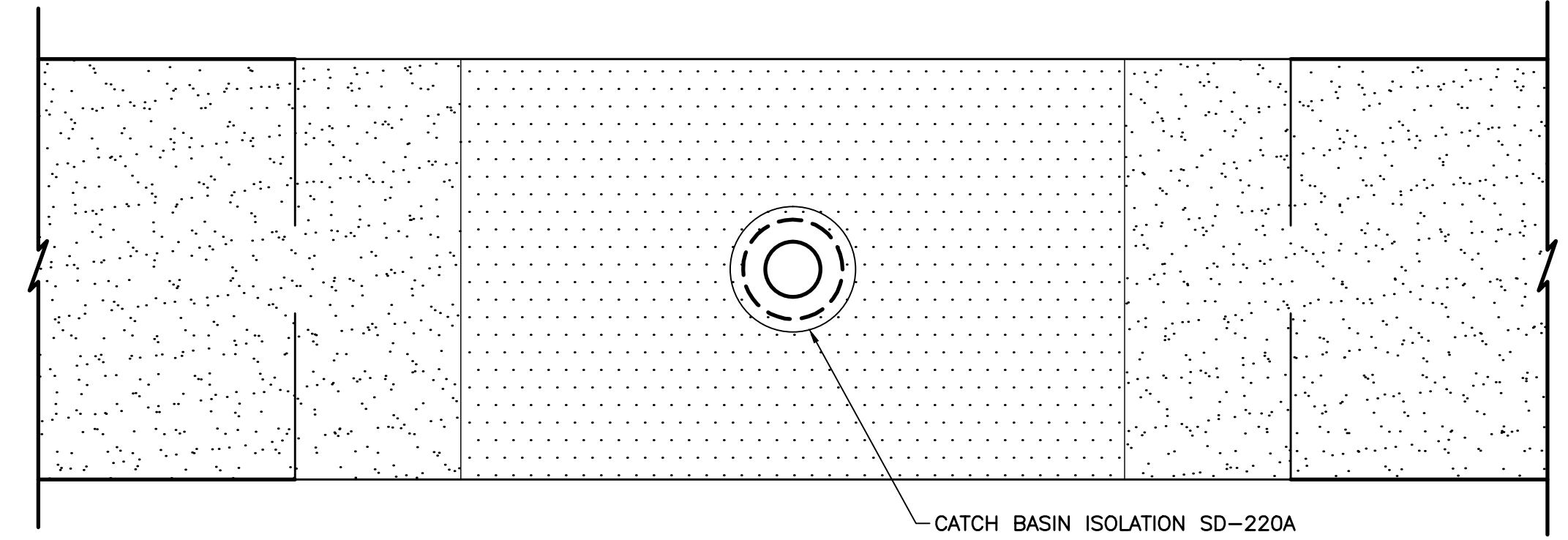


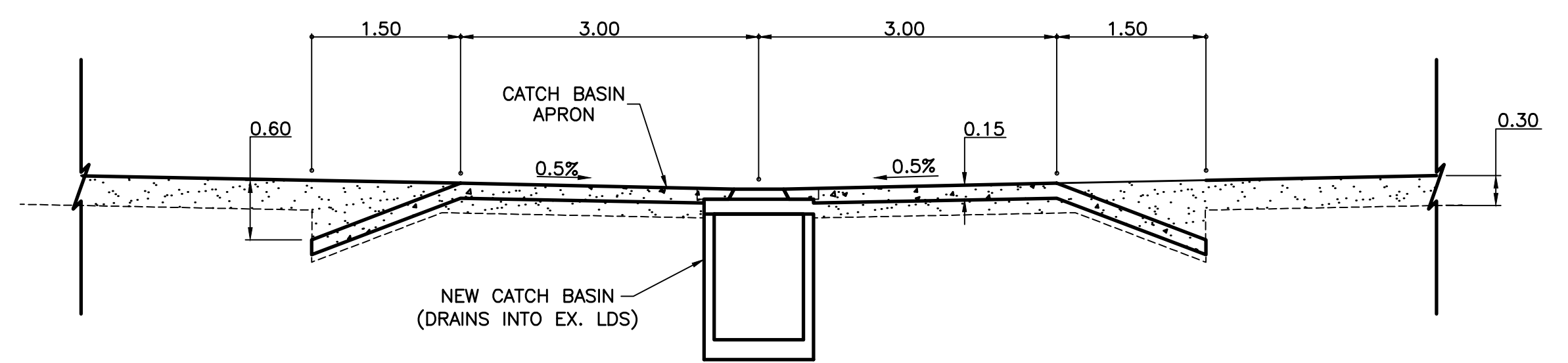
A TYPICAL LIMESTONE SECTION
N.T.S.



TYPICAL LIMESTONE SECTION WITH ENVIROGRID



CATCH BASIN ISOLATION SD-220A



1 CATCH BASIN APRON
N.T.S.

- CONSTRUCTION NOTES:**
- LANES ARE TO BE GRADED AS DIRECTED BY THE CONTRACT ADMINISTRATOR
 - CONFIRM LOCATION OF ALL EXISTING UTILITIES PRIOR TO CONSTRUCTION.
 - NOTIFY ALL RESIDENTS AND BUSINESSES 24 HOURS IN ADVANCE OF ANY DISRUPTION OF UTILITY SERVICE.
 - ENSURE ALL THE UPPER EDGES OF THE GEOTEXTILE AND ENVIROGRID HAVE A MINIMUM OF 100mm BURIED DEPTH OVER ALL PORTIONS.
 - CONTRACTOR TO TAKE PRECAUTIONARY STEPS TO AVOID DAMAGE FROM CONSTRUCTION ACTIVITIES TO TREES
 - LOCATION OF EXISTING SERVICES AND UTILITIES TO BE CONFIRMED IN THE FIELD BY THE CONTRACTOR

METRIC
WHOLE NUMBERS INDICATE MILLIMETRES
DECIMALIZED NUMBERS INDICATE METRES

"Description of property limits, and existing and/or proposed features relative to these limits as shown on this drawing do not represent a Legal Survey. GENIVAR makes no representation or guarantee that the property limit information is accurate. GENIVAR accepts no responsibility for damages, if any, suffered by any third party as a result of decisions made or actions based on this drawing."

WATERMAIN	HYDRANT	VALVE	LAND DRAINAGE SEWER	WASTE WATER SEWER	C.B. LEAD	MANHOLE	CATCH BASIN	CURB INLET	CULVERT	GAS	
EXISTING	LEGEND - PLAN	PROPOSED	EXISTING	LEGEND - PLAN	PROPOSED	EXISTING	LEGEND - PROFILE	PROPOSED	EXISTING	LEGEND - PROFILE	PROPOSED

LOCATION APPROVED UNDERGROUND STRUCTURES

SUPV.	U/G	STRUCTURES	DATE

NOTE:
LOCATION OF UNDERGROUND STRUCTURES AS SHOWN ARE BASED ON THE BEST INFORMATION AVAILABLE BUT NO GUARANTEE IS GIVEN THAT ALL EXISTING UTILITIES ARE SHOWN OR THAT THE GIVEN LOCATIONS ARE EXACT. CONFIRMATION OF EXISTENCE AND EXACT LOCATION OF ALL SERVICES MUST BE OBTAINED FROM THE INDIVIDUAL UTILITIES BEFORE PROCEEDING WITH CONSTRUCTION.

NO.	REVISIONS	DATE	BY
2	2ND REVIEW SUBMISSION	26.6.12	P.R.
1	1ST REVIEW SUBMISSION	10.6.12	P.R.

GENIVAR
10 PRAIRIE WAY WINNIPEG, MANITOBA R2J 3J8
PH: (204)-233-2113 FAX: (204)-233-2080

DESIGNED BY	R.H./P.R.	CHECKED BY	S.M.
DRAWN BY	P.R.	APPROVED BY	I.McK.
HR. SCALE:	1:400	RELEASED FOR CONSTRUCTION	
VERT. SCALE:		DATE	

JUNE 2012

ENGINEERS SEAL
CONSULTANT DRAWING NO.
121-19316-00 -05

THE CITY OF WINNIPEG
PUBLIC WORKS DEPARTMENT

2012 GRANULAR LANE IMPROVEMENT PROGRAM
RUE ST. JEAN BAPTISTE LANE
FROM BOUL PROVENCHER TO RUE DE LA CATHEDRALE
GRANULAR LANE

CITY DRAWING NO.
SHEET 5 OF 13
470-2012-05-R2

