

TRAN
0130.12

NOTE - USE TYPE V CEMENT COATING INSIDE & OUTSIDE
 - USE 1" THICK EXTERIOR COATING FOR ALL PIPES & FITTINGS

THE CITY OF WINNIPEG
 WATERWORKS, WASTE & DISPOSAL DIVISION
APPROVED FOR CONSTRUCTION
W. Jeffrey DATE JAN 14 1974
 Approval of this drawing covers only the general design and arrangement of material or equipment and does not in any way relieve the Contractor of any liability or responsibility for the satisfactory operation of this installation.

QTY.	MK. No.	DIA.	DESCRIPTION	ENDS	DWG. No.
		24"	VULTAULIC # 51 COUPLING		
1	16	24"	SPIGOT BULKHEAD	S	
1	15	24"	SHORT PIPE 5'-0" LG. W/ 2" φ FLG. BR. (TOP) & 3" φ FLG. BR. (BOTT) & W. A.	V-51/B	56-0050-11
1	14	24"x18"	REDUCING TEE 6'-0" LG. W/ 24" φ FLG. BR.	FLG/FLG/FLG	56-0050-10
1	13	24"	SHORT PIPE 3'-6" LG. W/ 2" φ FLG. BR. (TOP) & 3" φ FLG. BR. (BOTT) & W. A.	S/V-51	56-0050-9
1	23	24"	SHORT PIPE 16'-6 1/2" 17'-0"	S/B	
1	10	24"	18°-28' ELBOW	S/B	56-0050-8
1	9	24"	SHORT PIPE 11'-5" LG.	S/S	
2	2	24"	ADAPTOR 1'-6" LG.	V-51/FLG.	56-0050-6
7	STD.	24"	HYPRESLOH STD. LINED CYL. PIPE 20'-0" LG. C-301(L) CL-12	S/B	5002-04-24-1

REV.	DATE:	RECORD OF CHANGE	BY:
A	DEC.13/73	REMOVE MK. N° 11 & 12 MK. N° 23 ADDED REMOVE DR. 38 CPLG.	A.K.

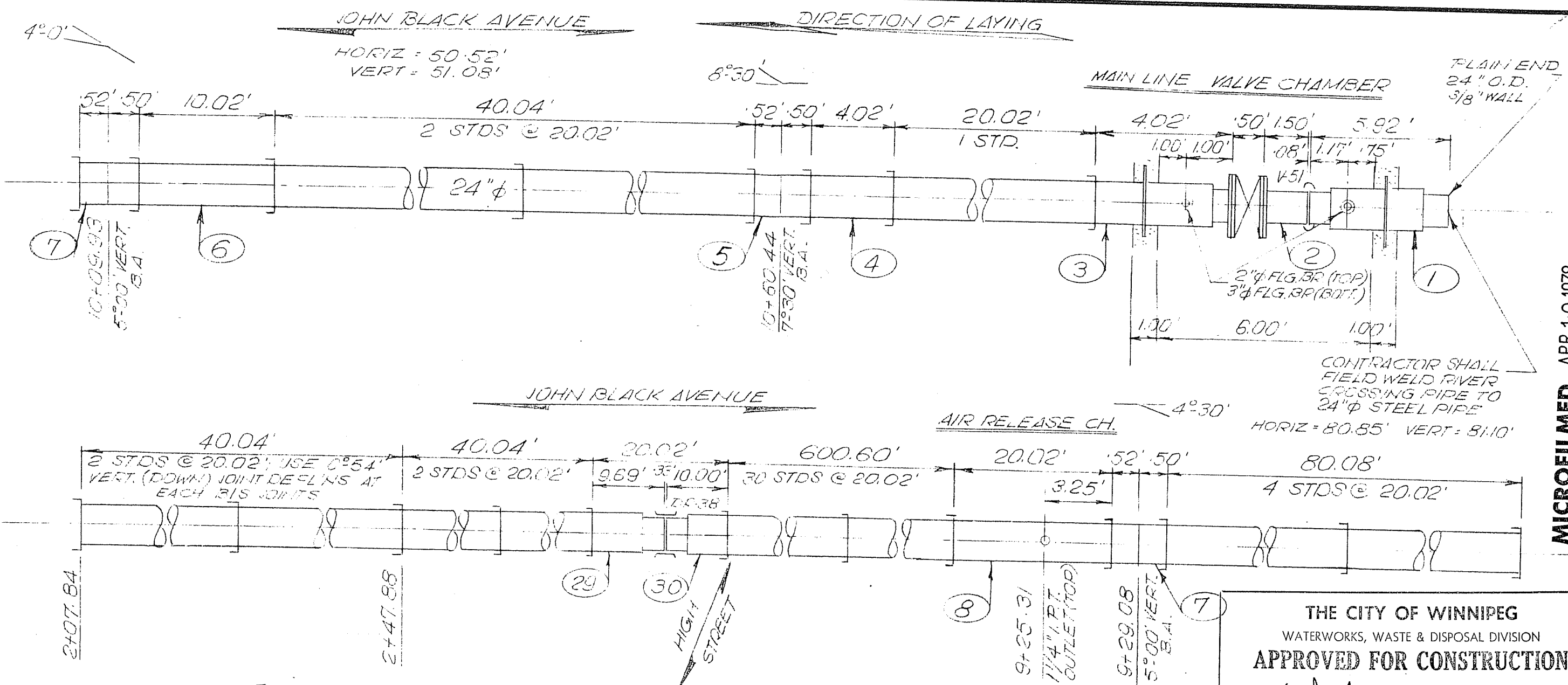
CANRON LIMITED PIPE DIVISION

CITY OF WINNIPEG
 NORTH KILDONAN 24" φ FEEDER MAIN
 HENDERSON TO MAIN

Scale: N.T.S. Date: NOV. 8 1973

Drawn by: M.B. Checked by: RT. Approved by: *[Signature]* Drawing No. 56-0050-2 Rev. A

MICROFILMED APR 10 1978



NOTE - USE TYPE V CEMENT COATING INSIDE & OUTSIDE
 - USE 1" THICK EXTERIOR COATING FOR ALL PIPES & FITTINGS

QTY.	MK. No.	DIA.	DESCRIPTION		
1	-	24"	DRESSER - 38 COUPLING		
1	29	24"	SHORT PIPE 9'-8" LG.	DR-38/B	56-0050-14
1	30	24"	SHORT PIPE 10'-0" LG.	S/DR-38	56-0050-14
1	-	24"	VICTAULIC # 51 COUPLING		
1	8	24"	STD. PIPE 20'-0" LG. 9/16" I.P.T. OUTLET @ 3'-3" FROM S.	S/B	5117-07-24-3
2	7	24"	5°-00' BEVEL ADAPTOR	S/B	5111-12-24
1	6	24"	SHORT PIPE 10'-0" LG.	S/B	
1	5	24"	7°-30' BEVEL ADAPTOR	S/B	5111-13-24
1	4	24"	SHORT PIPE 4'-0" LG.	S/B	
1	3	24"	SHORT PIPE 4'-0" LG. 9/16" W 2" FLG. BR. & 3" FLG. BR. & ANCHOR RING	FLG/B	56-0050-7
1	2	24"	ADAPTOR 1'-6" LG.	V-51/FLG	56-0050-6
1	1	24"	SHORT PIPE 5'-11" LG. 9/16" W 2" FLG. BR. & 3" FLG. BR. & ANCHOR RING	PE./V-51	56-0050-5
41	STD	24"	HYPRESCON STD. LINED CYL. PIPE 20'-0" LG. C-301(L) CL-12.	S/B	5002-04-24-1

THE CITY OF WINNIPEG
 WATERWORKS, WASTE & DISPOSAL DIVISION
APPROVED FOR CONSTRUCTION
W. Jeffrey DATE JAN. 14 1974
 Approval of this drawing covers only the general design and arrangement of material or equipment and does not in any way relieve the Contractor of any liability or responsibility for the satisfactory operation of this installation.

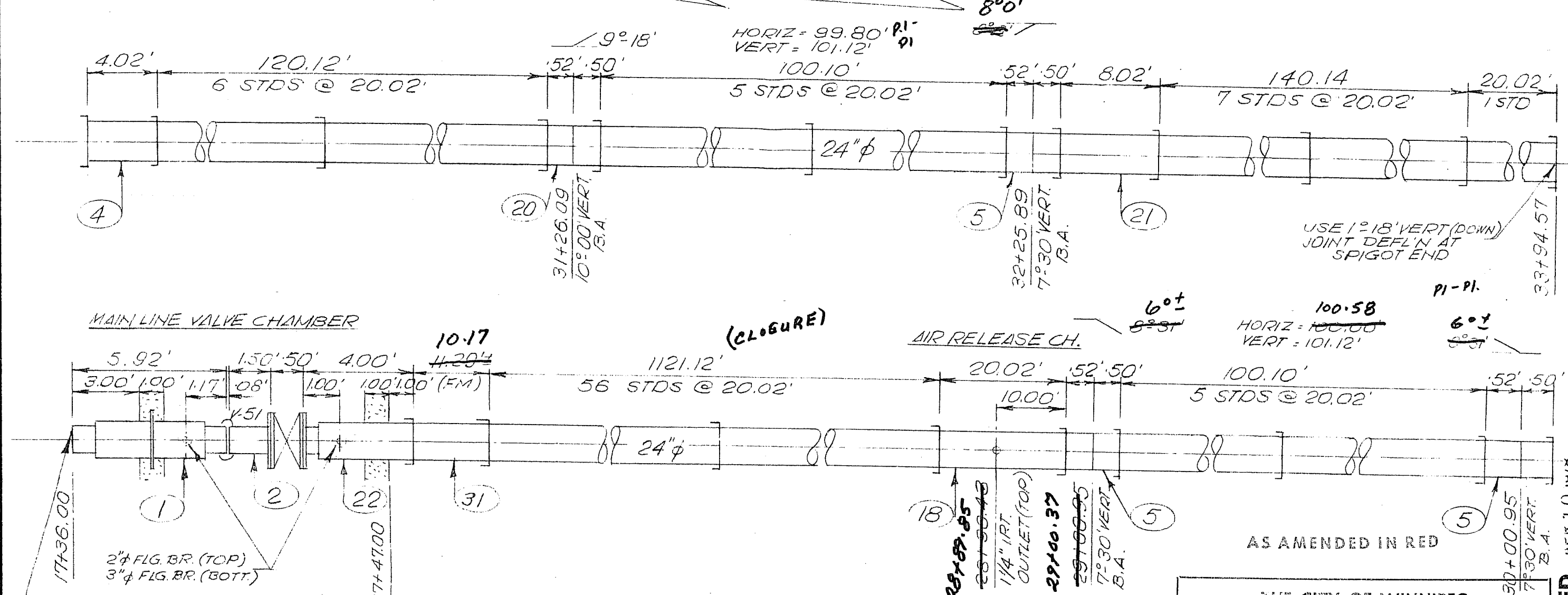
REV.	DATE:	RECORD OF CHANGE	BY:
A	JAN-3-74	O.D. CONFIRMED FOR MK. N° 1, QTY. OF STDS CHANGED, CLOSURE PIECE ADDED (MK. 26, 27)	M.B.

GANRON LIMITED PIPE DIVISION
CITY OF WINNIPEG
 NORTH KILDONAN 24" φ FEEDERMAIN
 HENDERSON TO MAIN

Scale: N.T.S.	Date: NOV 8 1973
Drawn by: M.B.	Checked by: [Signature]
Approved by: [Signature]	Drawing No. [Blank]
Rev. [Blank]	[Blank]

MICROFILMED APR 10 1978

DIRECTION OF LAYING



NOTE - USE TYPE V CEMENT COATING INSIDE & OUTSIDE
 - USE 1" THICK EXTERIOR COATING FOR ALL PIPES & FITTINGS

THE CITY OF WINNIPEG
 WATERWORKS, WASTE & DISPOSAL DIVISION
APPROVED FOR CONSTRUCTION
 DATE JAN 14 1974
 Approval of this drawing covers only the general design and arrangement of material or equipment and does not in any way relieve the Contractor of any liability or responsibility for the proper operation of this installation.

QTY.	MK. No.	DIA.	DESCRIPTION	ENDS	DWG. No.
1	-	24"	VICTAULIC # 51 COUPLING		
1	22	24"	SHORT PIPE 4'-0" LG. W/ 2" FLG. BR. (TOP) & 3" FLG. BR. (BOTT.) & W.A.	S/FLG.	56-0050-12
1	21	24"	SHORT PIPE 8'-0" LG.	S/B	
1	20	24"	10°-00' BEVEL ADAPTOR	S/B	5111-14-24
1	31	24"	SHORT PIPE 11'-3/4" LG. ± (FM)	S/B	
1	18	24"	STD. PIPE 20'-0" LG. W/ 1/4" I.P.T. OUTLET @ 10'-0" FROM S.	S/B	5117-07-24-3
3	5	24"	7°-30' BEVEL ADAPTOR	S/B	5111-12-24
1	4	24"	SHORT PIPE 4'-0" LG	S/B	
1	2	24"	ADAPTOR 1'-6" LG.	FLG/V-51	56-0050-6
1	1	24"	SHORT PIPE 5'-11" LG. W/ 2" FLG. BR. & 3" FLG. BR. & ANCHOR RING	P.E./V-51	56-0050-5
60	STD	24"	HYPRESCON STD LINED CYL. PIPE 20'-0" LG. C-301(L) CL-12	S/B	5004-04-24-1

RECORD OF CHANGE

CANRON LIMITED PIPE DIVISION

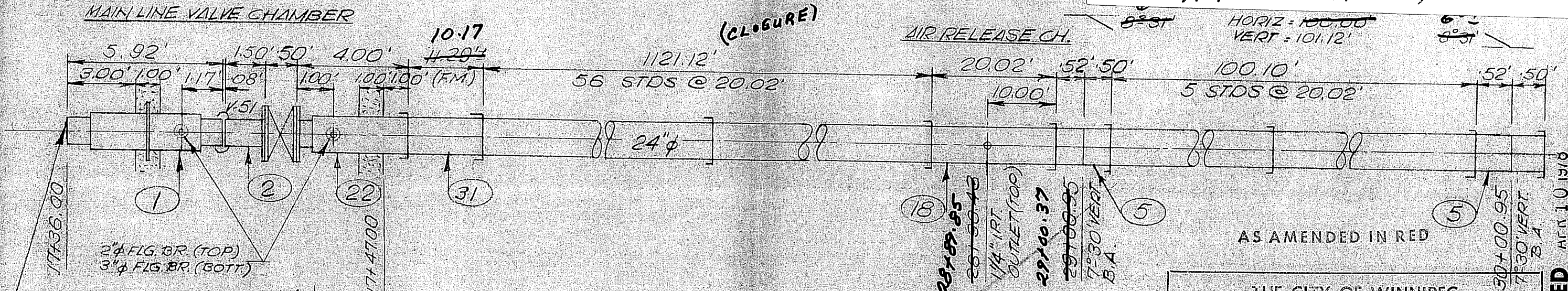
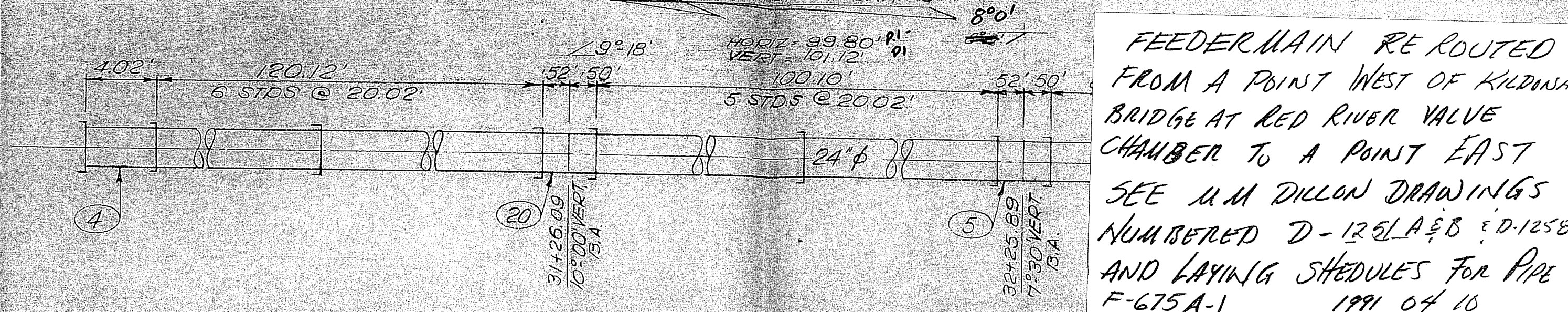
CITY OF WINNIPEG
 NORTH KILDONAN 24" Ø FEEDER MAIN
 HENDERSON TO MAIN

Scale: N.T.S. Date: NOV 8 1973

Drawn by: M.B. Checked by: [Signature] Approved by: [Signature] Drawing No. 56-0050-4 Rev. A

MICROFILMED APR 10 1978

DIRECTION OF LAYING



NOTE - USE TYPE V CEMENT COATING INSIDE & OUTSIDE
 - USE 1" THICK EXTERIOR COATING FOR ALL PIPES & FITTINGS

THE CITY OF WINNIPEG
 WATERWORKS, WASTE & DISPOSAL DIVISION
APPROVED FOR CONSTRUCTION
 DATE JAN 14 1974
 Approval of this drawing covers only the general design and arrangement of material or equipment and does not in any way relieve the Contractor of any liability or responsibility for defects, workmanship or installation.

QTY.	MK. No.	DIA.	DESCRIPTION	ENDS	DWG. No.
1	-	24"	VICTAULIC # 51 COUPLING		
1	22	24"	SHORT PIPE 4'-0" LG. 9/16" 2" FLG. BR. (TOP) & 3" FLG. BR. (BOTT.) & W.A.	S/FLG.	56-0050-12
1	21	24"	SHORT PIPE 8'-0" LG.	S/B	
1	20	24"	10°-00' BEVEL ADAPTOR	S/B	5111-14-24
1	31	24"	SHORT PIPE 11'-3/4" LG. ± (FM)	S/B	
1	18	24"	STD. PIPE 20'-0" LG. 9/16" 1/4" IPT. OUTLET @ 10'-0" FROM S.	S/B	5117-07-24-3
3	5	24"	7°-30' BEVEL ADAPTOR	S/B	5111-12-24
1	4	24"	SHORT PIPE 4'-0" LG.	S/B	
1	2	24"	ADAPTOR 1'-6" LG.	FLG/V-51	56-0050-6
1	1	24"	SHORT PIPE 5'-11" LG. 9/16" 2" FLG. BR. & 3" FLG. BR. & ANCHOR RING	RE./V-51	56-0050-5
56	STD	24"	HYPRESCON STPLINED CYL. PIPE 20'-0" LG. C-301(L) CL-12	S/B	5004-04-24-1

REV.	DATE	DESCRIPTION	BY
A	JAN-3-74	ADDED	M.B.

RECORD OF CHANGE

CANRON LIMITED PIPE DIVISION

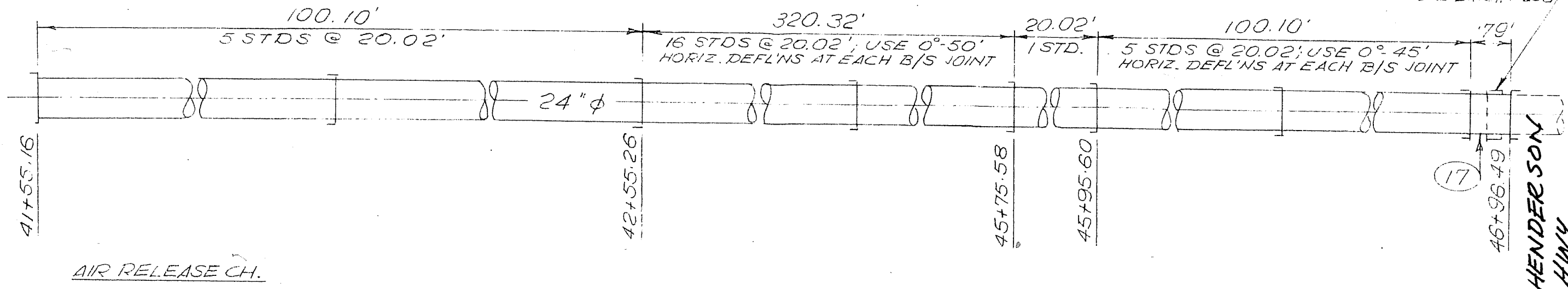
CITY OF WINNIPEG
 NORTH KILDONAN 24" φ FEEDER MAIN
 HENDERSON TO MAIN

Scale: N.T.S. Date: NOV. 8 1973

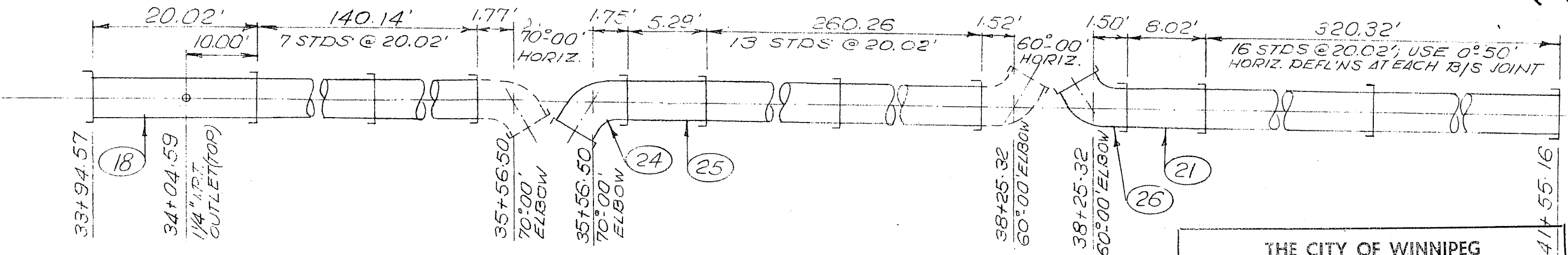
Drawn by: M.B. Checked by: [Signature] Approved by: [Signature] Drawing No. 56-0050-4 Rev. A

DIRECTION OF LAYING

CONTRACTOR SHALL REMOVE EXIST. PLUG



AIR RELEASE CH.



NOTE - USE TYPE V CEMENT COATING INSIDE & OUTSIDE
 - USE 1" THICK EXTERIOR COATING FOR ALL PIPES & FITTINGS

THE CITY OF WINNIPEG
 WATERWORKS, WASTE & DISPOSAL DIVISION
APPROVED FOR CONSTRUCTION

W. Jeffrey DATE JAN 14 1974
 Approval of this drawing covers only the general design and arrangement of material or equipment and does not in any way relieve the Contractor of any liability or responsibility for the satisfactory operation of this installation.

REV.	DATE:	RECORD OF CHANGE	BY:
A	JAN-3-74	QTY. OF STDS CHANGED, MKN#21, 24, 25, 26 ADDED	M.B.

CANRON
 LIMITED PIPE DIVISION

CITY OF WINNIPEG
 NORTH KILDONAN 24" Ø FEEDER MAIN
 HENDERSON TO MAIN

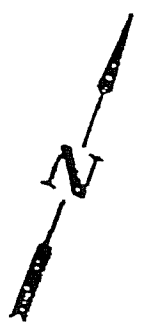
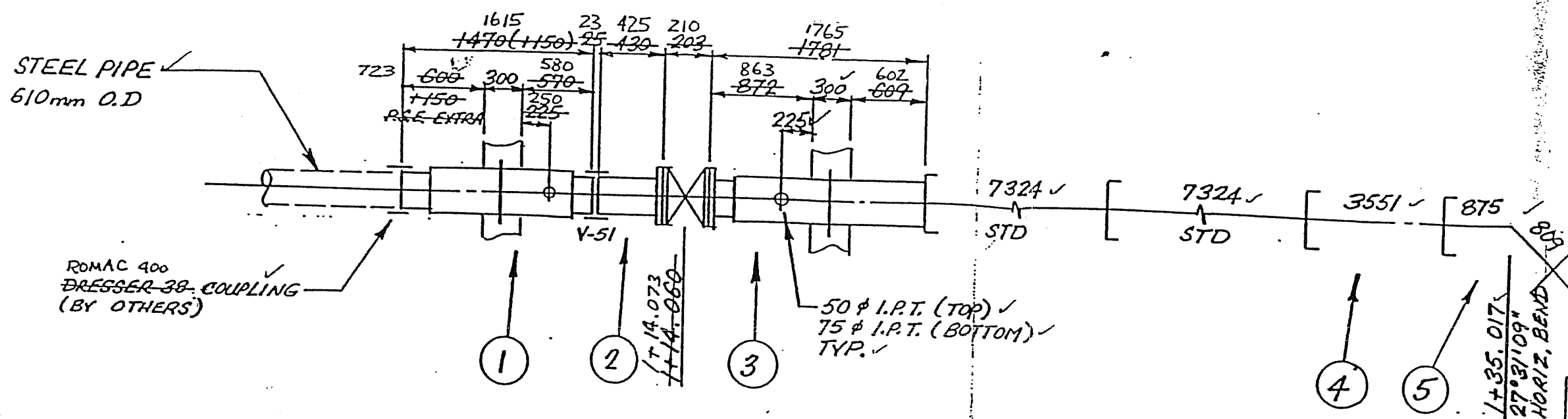
Scale: N.T.S. Date: NOV 8 1973

Drawn by:	Checked by:	Approved by:	Drawing No.	Rev.
M.B.	R.T.	<i>JA</i>	55-0050-3	A

QTY.	MK. No.	DIA.	DESCRIPTION	ENDS	DWG. No.
1	24	24"	70°-00' ELBOW	S/B	56-0050-13
1	25	24"	SHORT PIPE 5'-3/4" LG	S/B	
1	26	24"	60°-00' ELBOW	S/B	5112-14-24
1	21	24"	SHORT PIPE 8'-0" LG.	S/B	
1	17	24"	ADAPTOR 9" LG.	B/B	5116-21-24
1	18	24"	STD. PIPE 20'-0" LG. C/W 1/4" I.P.T. OUTLET @ 10'-0" FROM S.	S/B	5117-07-24-3
63	STD	24"	HYPRESCON STD. LINED CYL. PIPE 20'-0" LG. C-301(L) CL-12	S/B	5002-04-24-1

MICROFILMED APR 10 1978

LAYING DIRECTION 



SEE DRAWING N°2

- NOTES: 1) JOINT GAP FOR EACH BELL & SPIGOT JOINT = 9mm
 2) TYPE V CEMENT COATING & LINING ON ALL PIPES & FITTING
 3) USE MIN. 25.4mm MORTAR COATING OVER PRESTRESS WIRES
 4) TEST PRESSURE = 1 MPA.

RECORD DRAWING
 Approved by: A. Rossen DATE: 31/03/89

SHOP DRAWING REVIEW
 THIS DRAWING HAS BEEN REVIEWED FOR CONFORMANCE WITH THE GENERAL DESIGN CONCEPT ONLY. SUCH REVIEW SHALL NOT RELIEVE THE CONTRACTOR OF HIS RESPONSIBILITY FOR ERRORS OR OMISSIONS OR OF MEETING THE REQUIREMENTS OF THE CONTRACT DOCUMENTS.

<input checked="" type="checkbox"/> NO COMMENT	Submission No. <u>2</u>
<input type="checkbox"/> SEE COMMENTS	Project No. <u>1572-05</u>
<input type="checkbox"/> APPROVAL REQUIRED	By: <u>[Signature]</u>
	Date: <u>10/11/88</u>

M. M. DELLO: LIMITED
WINNIPEG

NOV. 07, 88	A	BONDING JUMPERS DEL'D / O.D. CONF'D.	S.G.
DATE	NO	REVISION	BY

This drawing and all technical information appearing hereon are the property of CANRON INC. and must be kept in confidence by the recipient. The same may not be used or reproduced either in whole or in part without the express consent of CANRON INC., which reserves all rights of copyright.

CANRON hyprescon® **F-675 A-1**

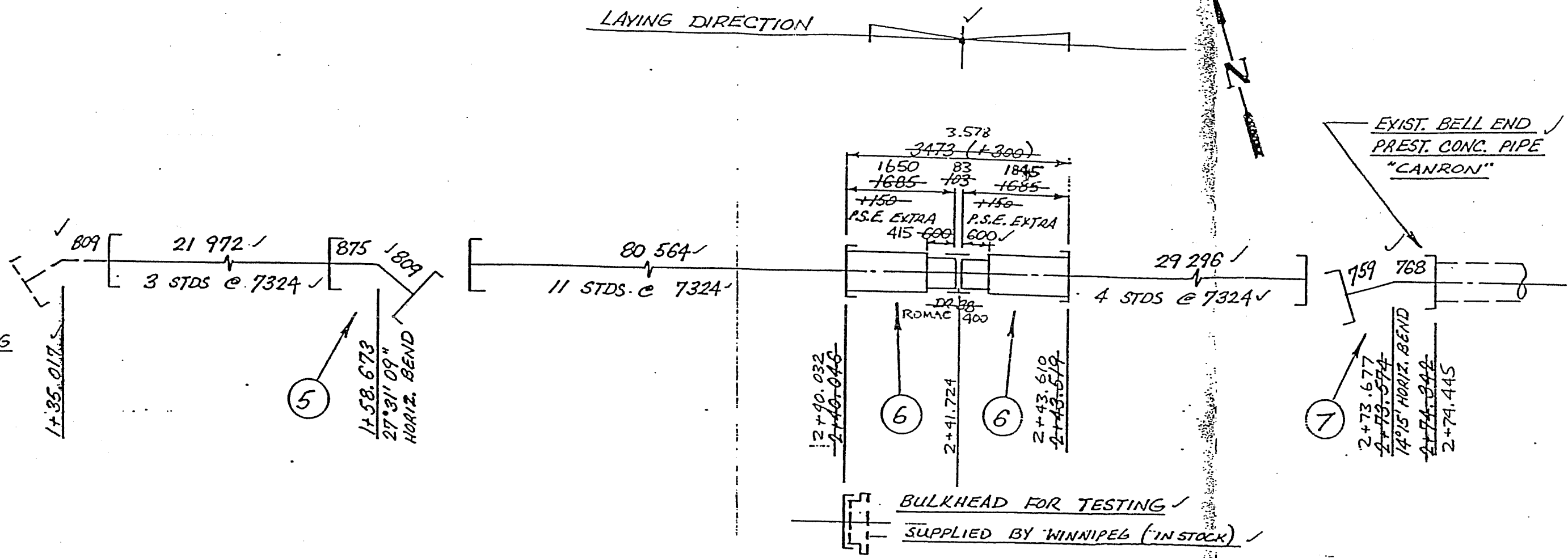
CITY OF WINNIPEG
 KILDONAN CORRIDOR
 CAMBRIAN EXCAVATOR

SCALE: N.T.S. DATE: SEPT. 21, 1988

QTY.	MKno.	DIA.	DESCRIPTION	LENGTH	ENDS	REFERENCE
1	5	600	27° 31' 09" BEND	875x800	3/B	C-3
1	4	600	SHORT CLASS 1A	3542	S/B	
1	3	600	SHORT C/W 50 φ I.P.T., 75 φ I.P.T. & WALL FLG	1772	FLG/B	C-2
1	2	600	ADAPTOR	430	V51/FLG	M557-05-600
1	1	600	SHORT C/W 50 φ I.P.T., 75 φ I.P.T., WALL FLG & 150 P.S.E. EXTRA	1620	P.S.E/V51	C-1
2	STD	600	STANDARD PIPE C-301(L) CLASS 1A	7315	S/B	46-3003-A

DRAWN	CHECKED	APPROVED	PROJECT	DWG.	REV.
<u>[Signature]</u>		<u>[Signature]</u>	46-3003	1	A

FROM DRAWING
Nº1 ✓



RECORD DRAWING
A. Gowen 31/07/89
 APPROVED BY: DATE

NOV. 07/88	A	MK. 8 & (1) MK. 9 DEL'D/EXIST. CONF'D.	S.G.
DATE	NO	REVISION	BY

This drawing and all technical information appearing hereon are the property of CANRON INC. and must be kept in confidence by the recipient. The same may not be used or reproduced either in whole or in part without the express consent of CANRON INC., which reserves all rights of copyright.

CANRON hyprescon® **F-675 A-1**

CITY OF WINNIPEG
 KILDONAN CORRIDOR
 CAMBRIAN EXCAVATOR

SCALE: N.T.S. DATE: SEPT. 21, 1988

QTY.	MKno.	DIA.	DESCRIPTION	LENGTH	ENDS	REFERENCE
1	9	600	NIGHT PLUG — NOT SUPPLIED	—	S	M554-23-600
1	7	600	14° 15' BEND	768 x 750	S/B	C-5
2	6	600	SHORT C/W 150 P.S.E. EXTRA	1835	S/D38	C-4
1	5	600	27° 31' 09" BEND	875 x 800	S/B	C-3
18	STD	600	STANDARD PIPE C-301(L) CLASS 14	7315	S/B	46-3003-A

DRAWN	CHECKED	APPROVED	PROJECT	DWG.	REV.
<i>[Signature]</i>		<i>[Signature]</i>	AC-3003	?	A