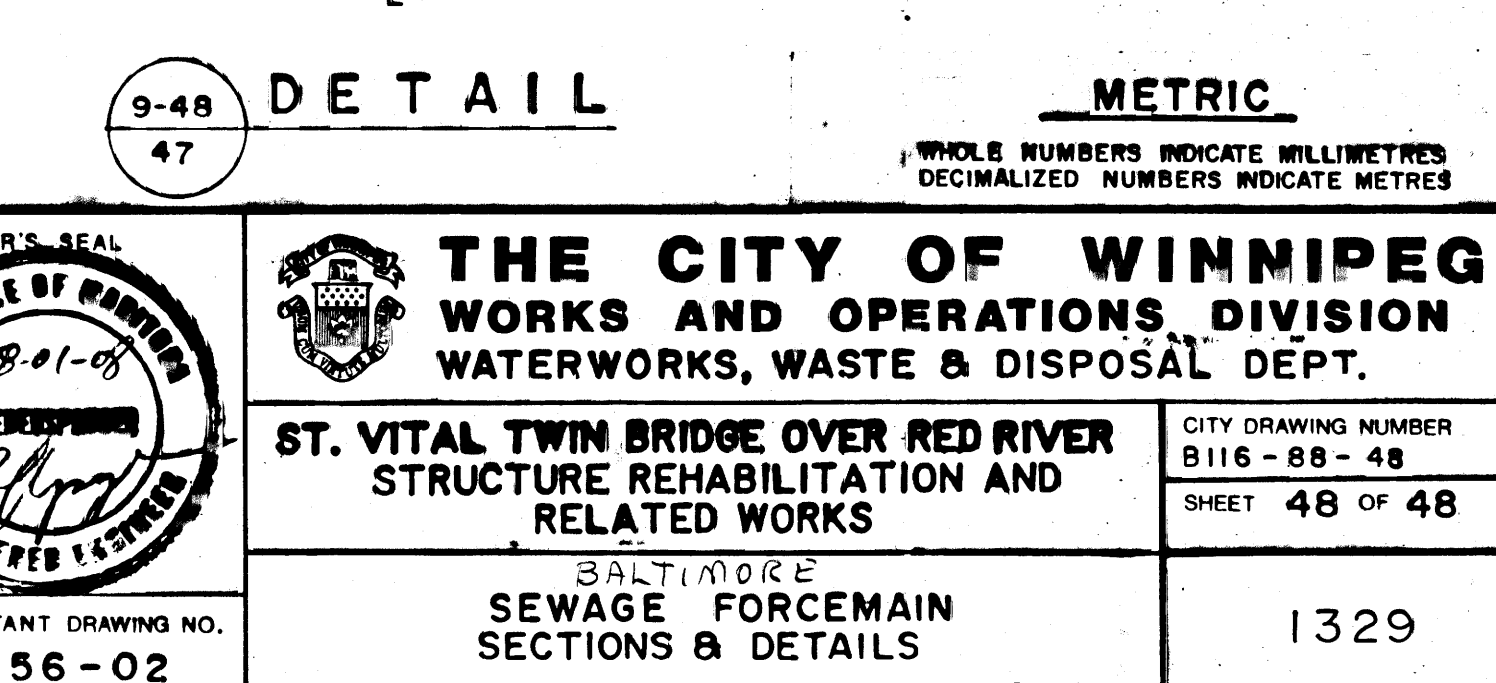
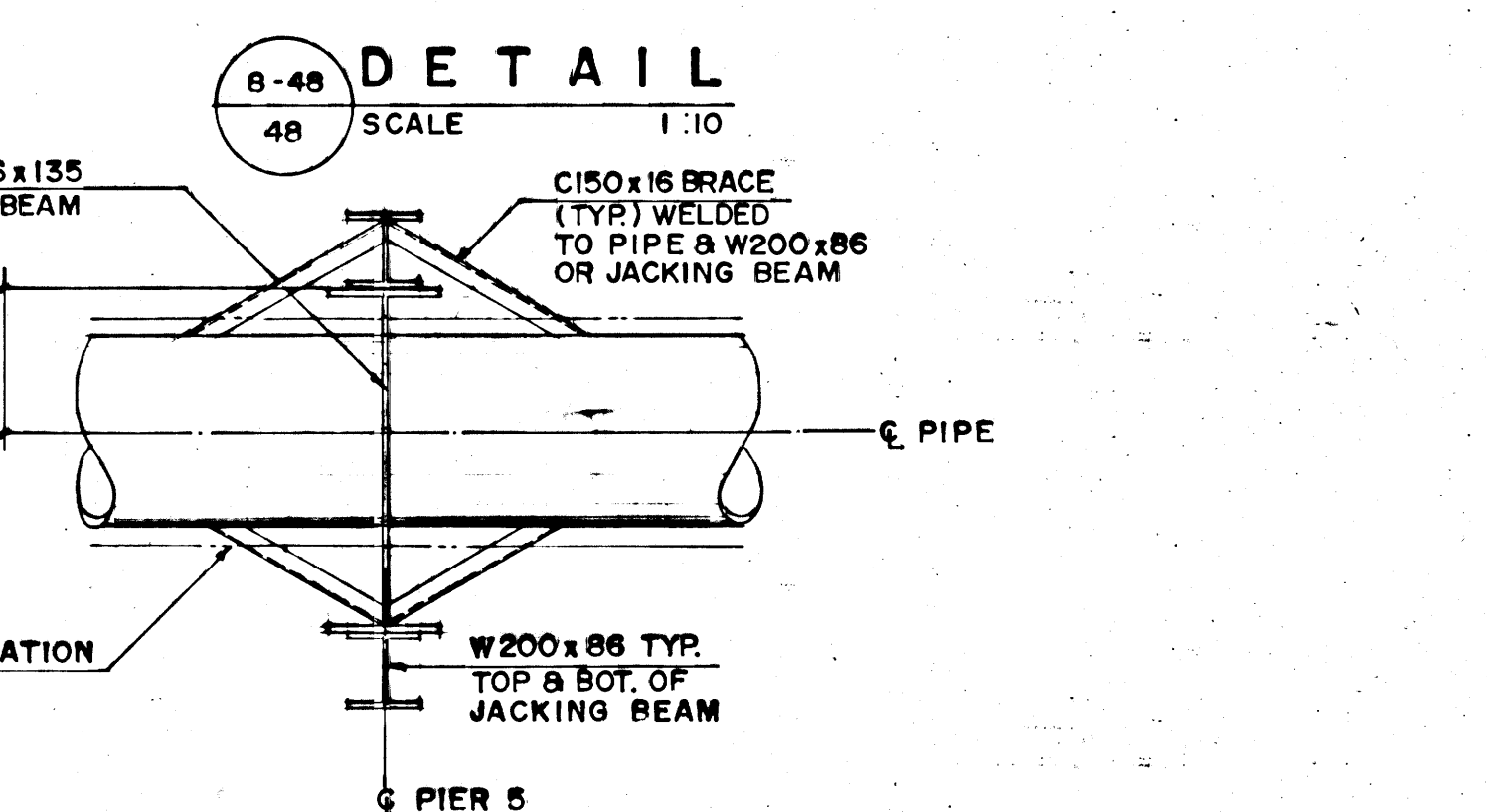
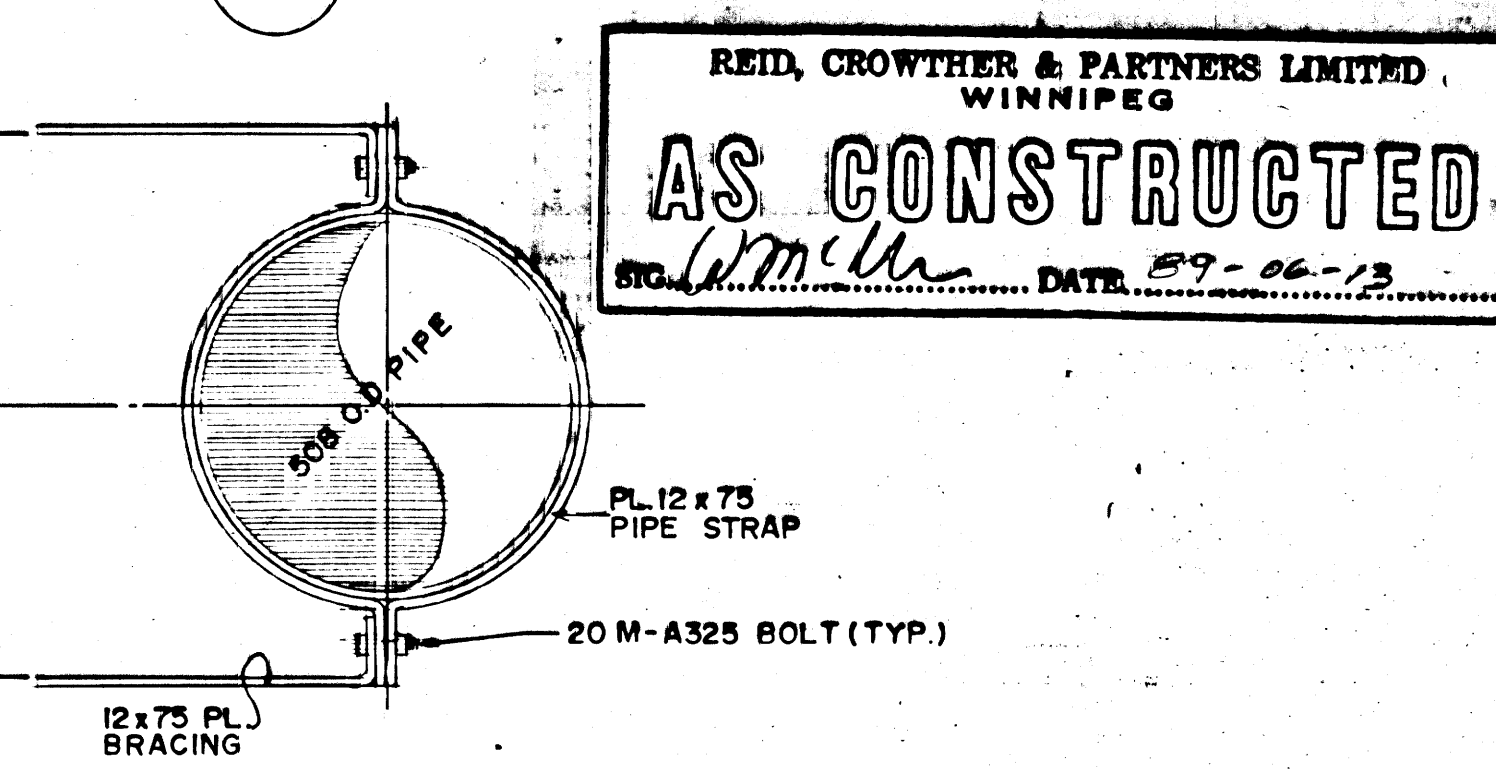
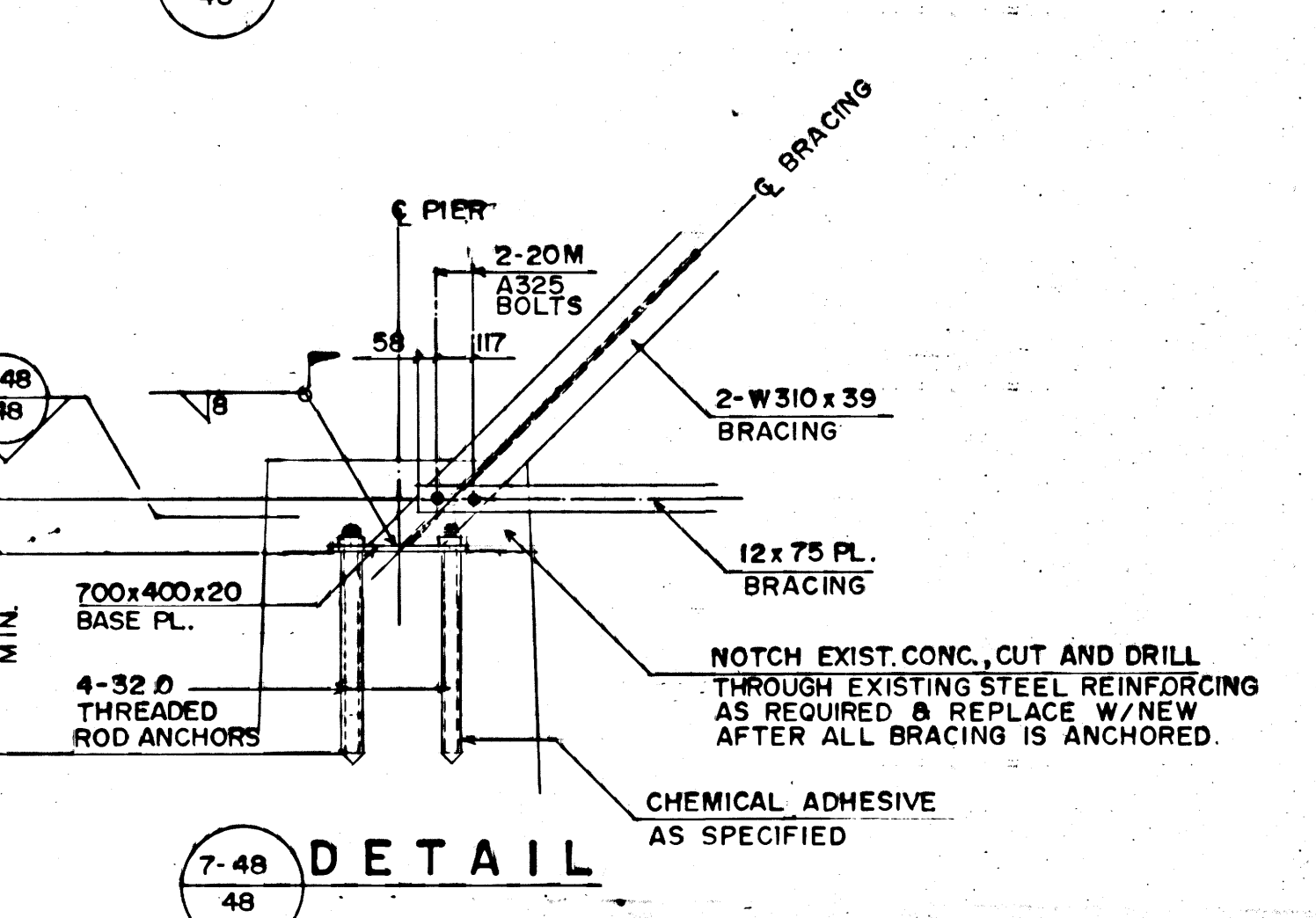
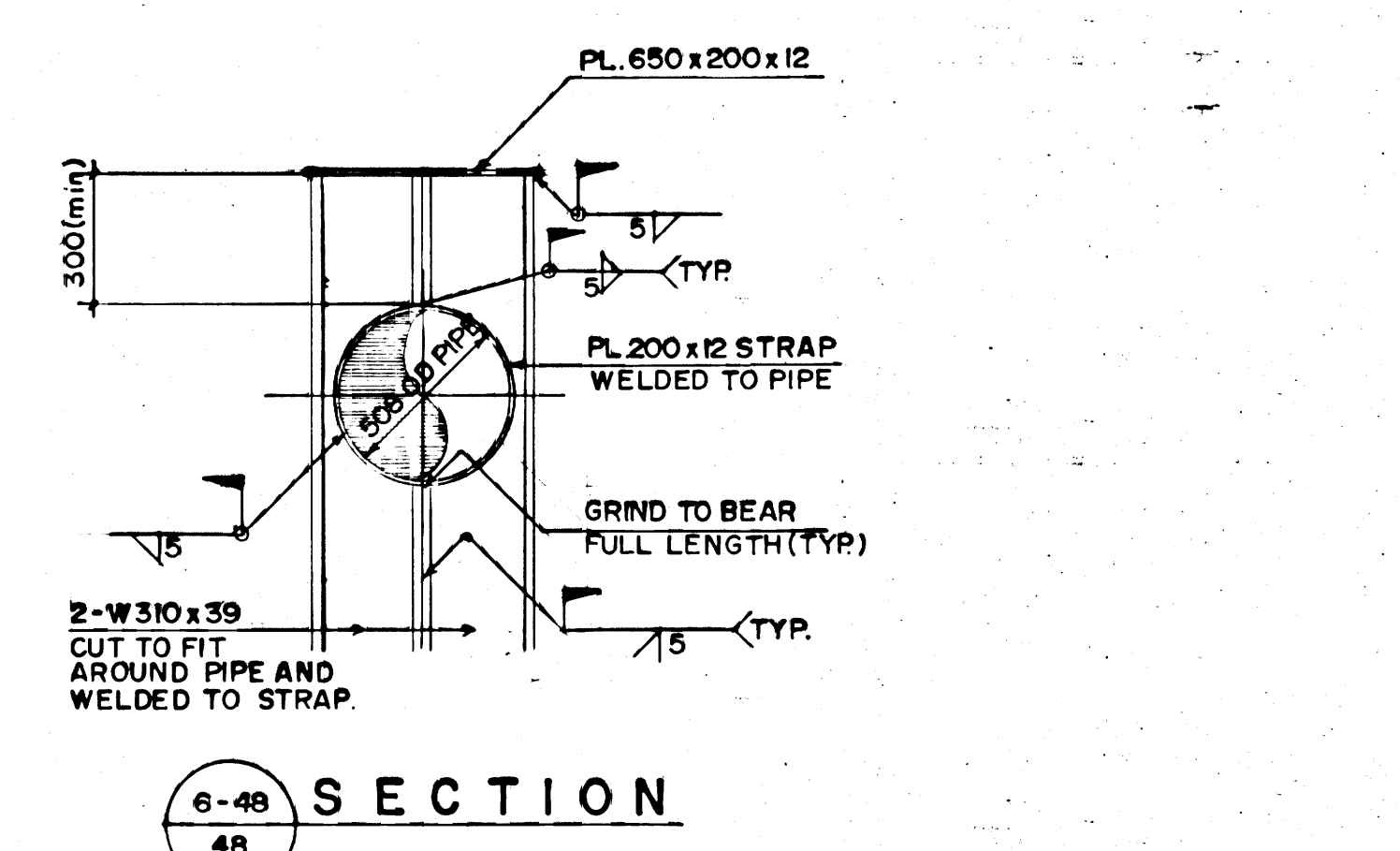
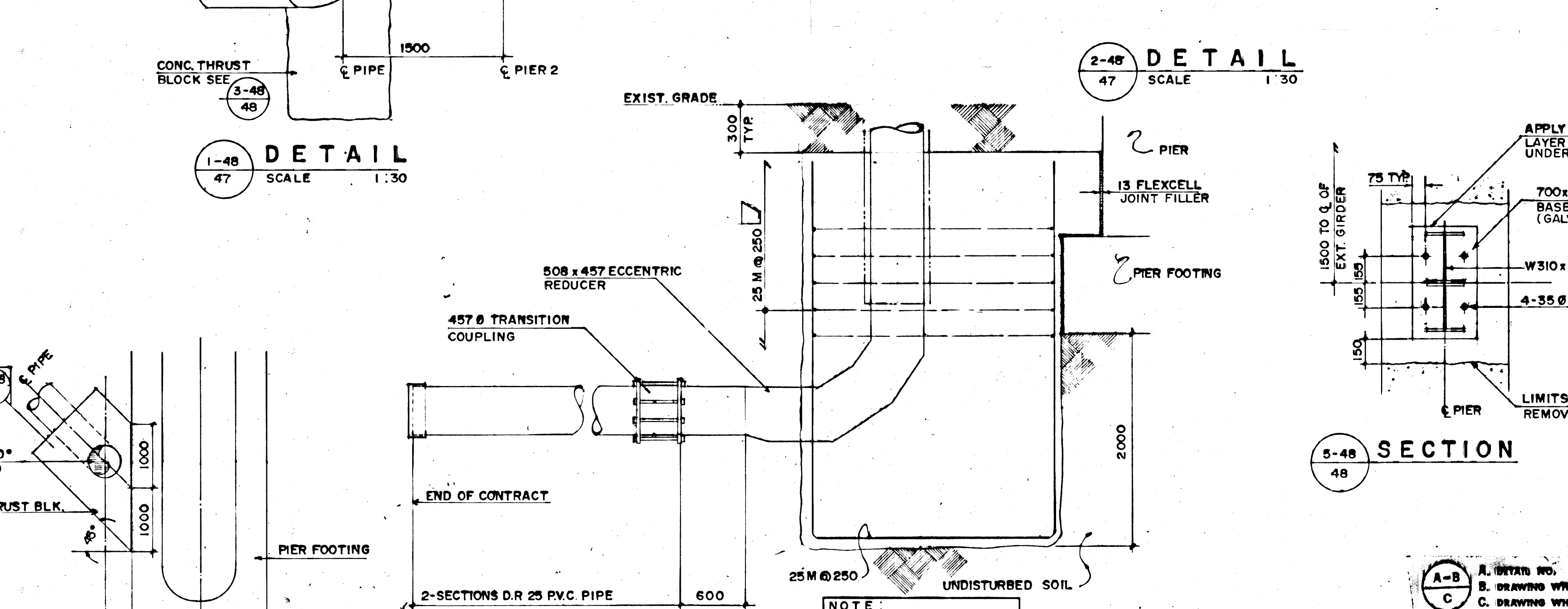
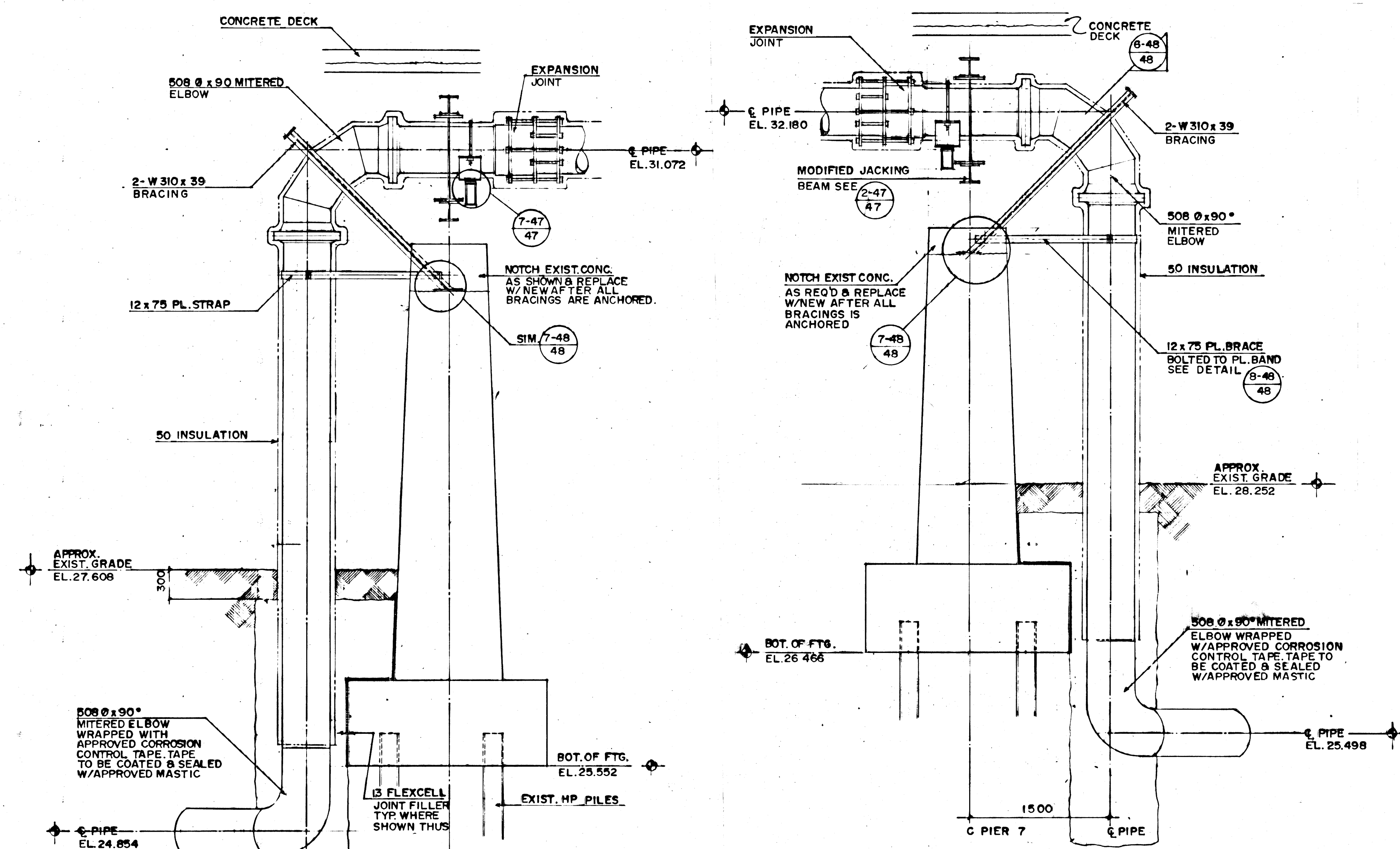


file # FM 10/116

REF. OF DRAWING No. 1329 DETAILS



1-48 DETAIL SCALE 1:30

2-48 DETAIL SCALE 1:30

5-48 SECTION SCALE 1:10

6-48 SECTION SCALE 1:10

7-48 DETAIL SCALE 1:10

8-48 DETAIL SCALE 1:10

9-48 DETAIL SCALE 1:10

4-48 SECTION SCALE 1:30

3-48 DETAIL SCALE 1:50

NOTE: REDUCER, SPOOL & COUPLING WRAPPED W/APPROVED CORROSION CONTROL TAPE TAPE TO BE COATED & SEALED WITH APP'D. MASTIC

NOTE: ALL SEWAGE FORCEMAIN STRUCTURAL STEEL AND MISCELLANEOUS METAL HOT DIP GALVANIZED EXCEPT PIPE SUPPORT COMPONENTS AND JACKING BEAM MODIFICATIONS TO BE PAINTED.

REID, CROWTHER & PARTNERS LIMITED WINNIPEG  
**AS CONSTRUCTED**  
 DATE: 89-06-13

B.M. ELEV.	
DESIGNED BY	B.E.
CHECKED BY	W.J.M.
DRAWN BY	R.C.S.
APPROVED BY	<i>W.M.T.</i>
AUTHORIZED BY	<i>W.M.T.</i>
HOR. SCALE:	1:20 U.N.O.
VERTICAL:	AS SHOWN
DATE	JAN. 88
NO. REVISIONS	

**Reid Crowther** Reid Crowther & Partners Ltd. Engineers-Planners-Scientists

DESIGNED BY B.E. CHECKED BY W.J.M.  
 DRAWN BY R.C.S. APPROVED BY *W.M.T.*  
 AUTHORIZED BY *W.M.T.*

HOR. SCALE: 1:20 U.N.O. VERTICAL: AS SHOWN

CONSULTANT DRAWING NO. 61056-02

ENGINEER'S SEAL: *W.M.T.*

**THE CITY OF WINNIPEG**  
 WORKS AND OPERATIONS, DIVISION  
 WATERWORKS, WASTE & DISPOSAL DEPT.

ST. VITAL TWIN BRIDGE OVER RED RIVER  
 STRUCTURE REHABILITATION AND RELATED WORKS

BALTIMORE  
 SEWAGE FORCEMAIN  
 SECTIONS & DETAILS

CITY DRAWING NUMBER B116-88-48 SHEET 48 OF 48

1329

file # FM 10/116 1329