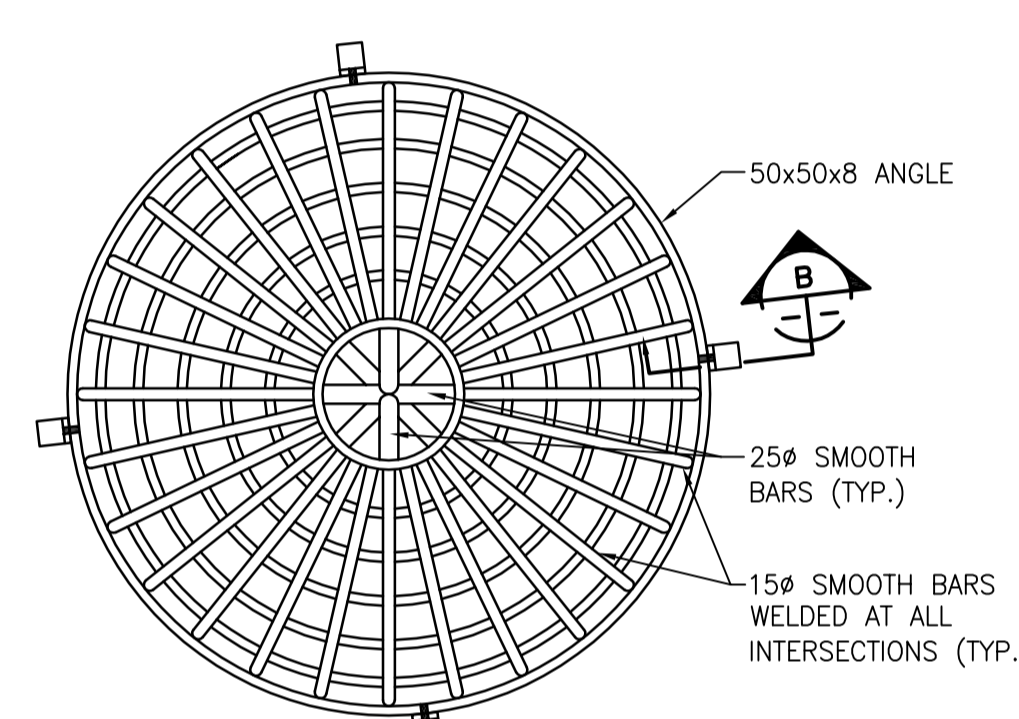
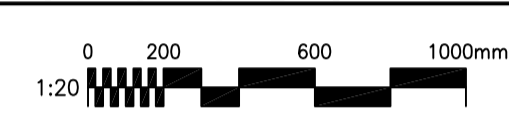
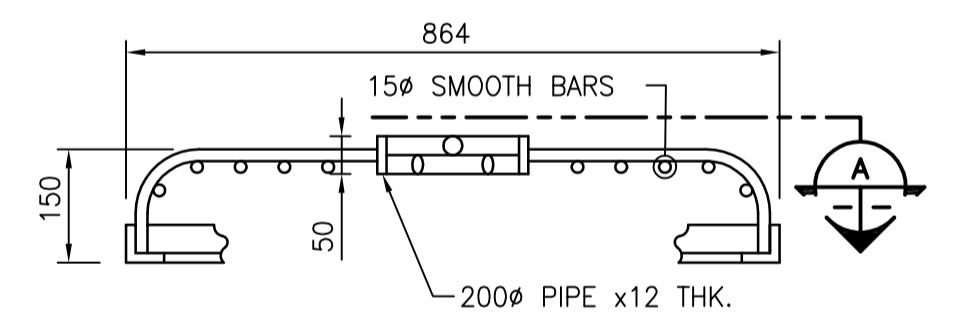


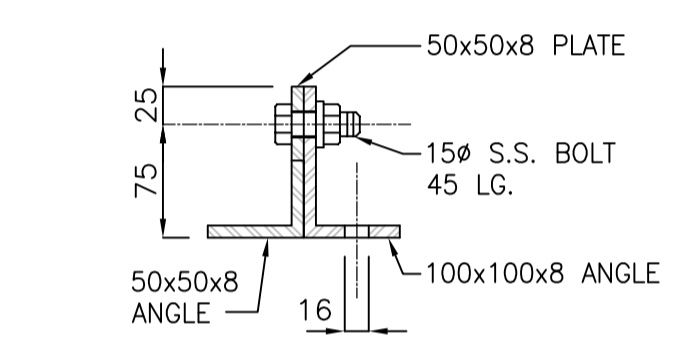
DITCH CATCHBASIN DETAIL



DITCH INLET GRATE DETAIL (A)



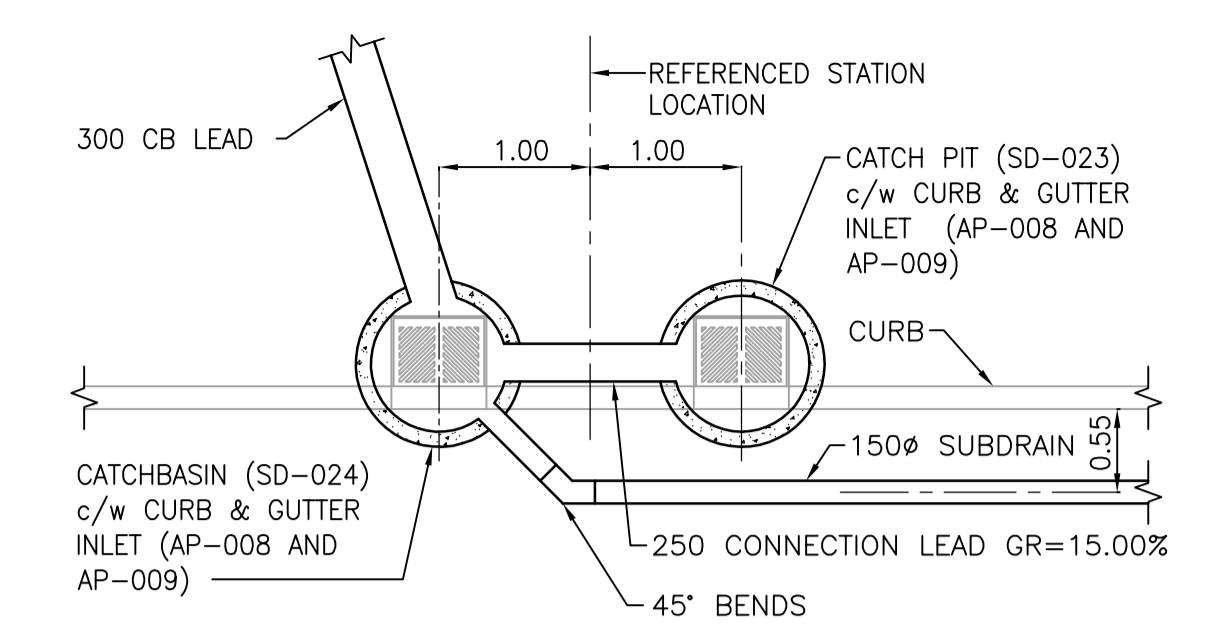
DITCH INLET GRATE DETAIL (3)



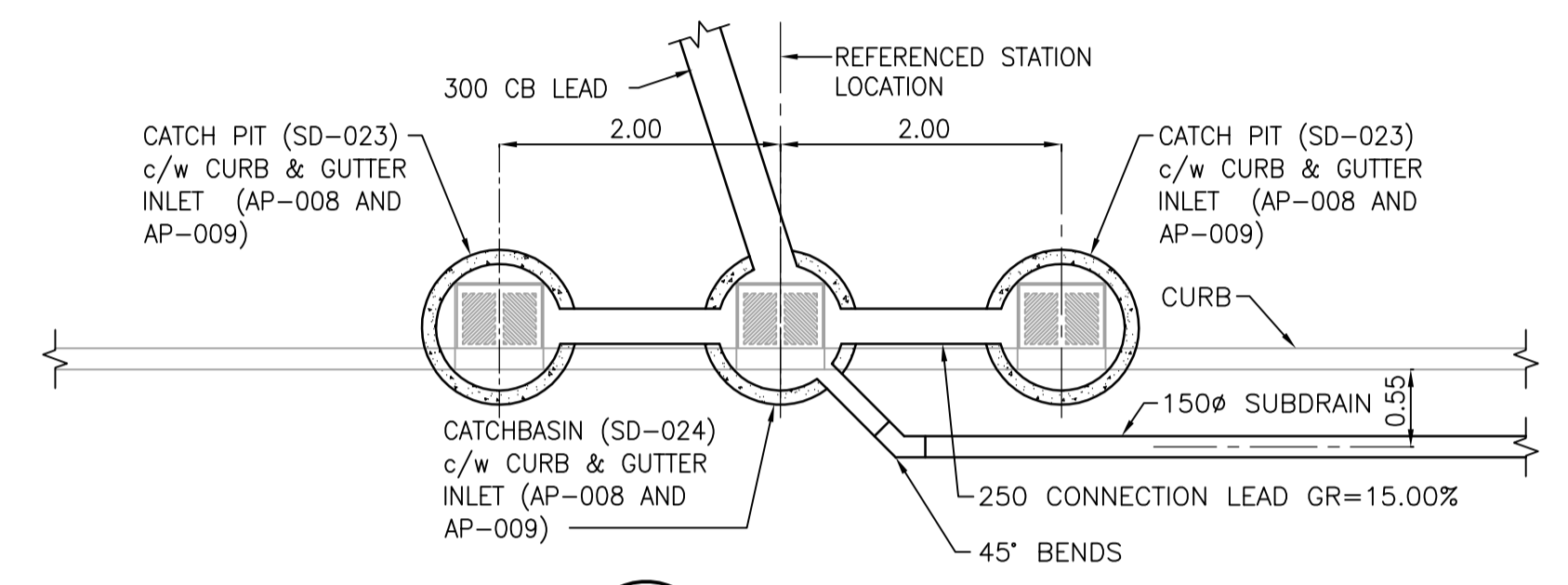
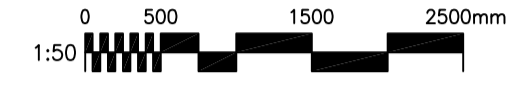
DITCH INLET GRATE ATTACHMENT



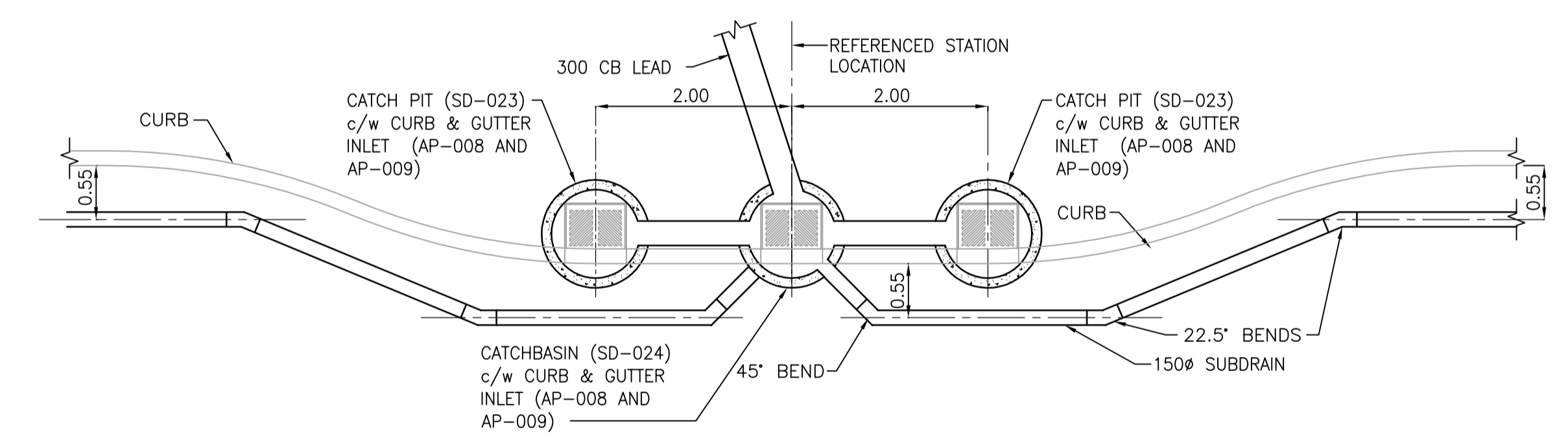
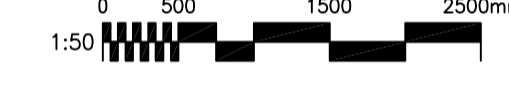
NOTE: ATTACHMENT ARE NOT TO BE COVERED WITH GROUTED RIPRAP



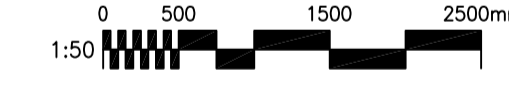
DUAL INLETS WITH LEADS



TRIPLE INLETS WITH LEADS



TRIPLE INLETS WITH LEADS



**WARNING**

IF POWER EQUIPMENT OR EXPLOSIVES ARE TO BE USED FOR EXCAVATION ON THIS PROJECT THE CONTRACTOR MUST:

- 1) NOTIFY THE GAS COMPANY OF THE PROPOSED LOCATION OF EXCAVATION.
- 2) TAKE PRECAUTION TO AVOID DAMAGE TO GAS COMPANY INSTALLATIONS.

SEE PROVINCIAL REGULATION 140/92 FOR DETAILS

**METRIC**

WHOLE NUMBERS INDICATE MILLIMETRES  
DECIMALIZED NUMBERS INDICATE METRES

150 WWS	WATERMAIN	150 WM	HYDRO	150 WM	WATERMAIN	150 WM
+	HYDRANT	+	M.T.S.	+	HYDRANT, VALVE	+
⊗	VALVE	⊗	CONCRETE	⊗	LAND DRAINAGE SEWER	⊗
300 LDS	LAND DRAINAGE SEWER	300 LDS	ASPHALT	250 WWS	WASTE WATER SEWER	250 WWS
250 WWS	WASTE WATER SEWER	250 WWS	SIDEWALK	×	PROFILE	
○	MANHOLE	●	PROPERTY LINE	□	NORTH OR WEST GUTTER	
□	CATCH BASIN	⊕	SURVEY BAR	○	SOUTH OR EAST GUTTER	
▽	CURB INLET	⊕	GEODETIC BENCHMARK	◇	NORTH OR WEST R	
→	JUNCTIONS	→	DITCH	→	SOUTH OR EAST R	
—	CULVERT	(31.334)	ELEVATION	(32.23)	NORTH OR WEST DITCH	
—	GAS		SIDEWALK RAMP	▽	SOUTH OR EAST DITCH	
---	EXISTING	---	LEGEND-PLAN	---	LEGEND-PROFILE	---
---	PROPOSED	---	EXISTING	---	PROPOSED	---

84R635 - Lake Crest Rd. & Waverley St.,  
Tbt on top of 0.05m dia. x 2.4m iron pipe, 14.2m N. of S.L. of Lake Crest Rd. & 0.6m E. of E.L. of Waverley St.

B.M. 84R635	ELEV. 232.457m
NO.	REVISIONS
DATE	BY
11.07.15	V.M.M.
09.07.21	V.M.M.

**Stantec Consulting Ltd.**  
905 Waverley Street, Winnipeg, Manitoba  
Tel 204-489-5900 Fax 204-453-9012

DESIGNED BY: V.M.M. CHECKED BY: S.B.C.  
DRAWN BY: T.G. APPROVED BY: V.M.M.

HOR. SCALE: VERTICAL: 1:50

RELEASED FOR CONSTRUCTION: DATE

CONSULTANT DRAWING NO. C-120

ENGINEER'S SEAL  
PROVINCE OF MANITOBA  
REGISTERED PROFESSIONAL ENGINEER  
V.M. MAROTI  
MEMBER 30809

**THE CITY OF WINNIPEG**  
PUBLIC WORKS DEPARTMENT  
ENGINEERING DIVISION

**WWARP PART I**  
KENASTON BOULEVARD EXTENSION - N.B. LANES  
NORTH TOWN ROAD TO BISHOP GRANDIN BOULEVARD  
MISCELLANEOUS DETAILS

SHEET 38 OF 65  
CAD FILE DRAWING NUMBER 04840c-120-XXX.dwg  
CITY DRAWING NUMBER P-3316-38

**APEGM**  
Certificate of Authorization  
Stantec Consulting Ltd.  
No. 1301 Date: \_\_\_\_\_

X:\137\p\dwg\13704840\dwg\102\_design\dwg\dwg\04840c-120-04840c.dwg  
 2010-05-17 10:44AM By: gpl