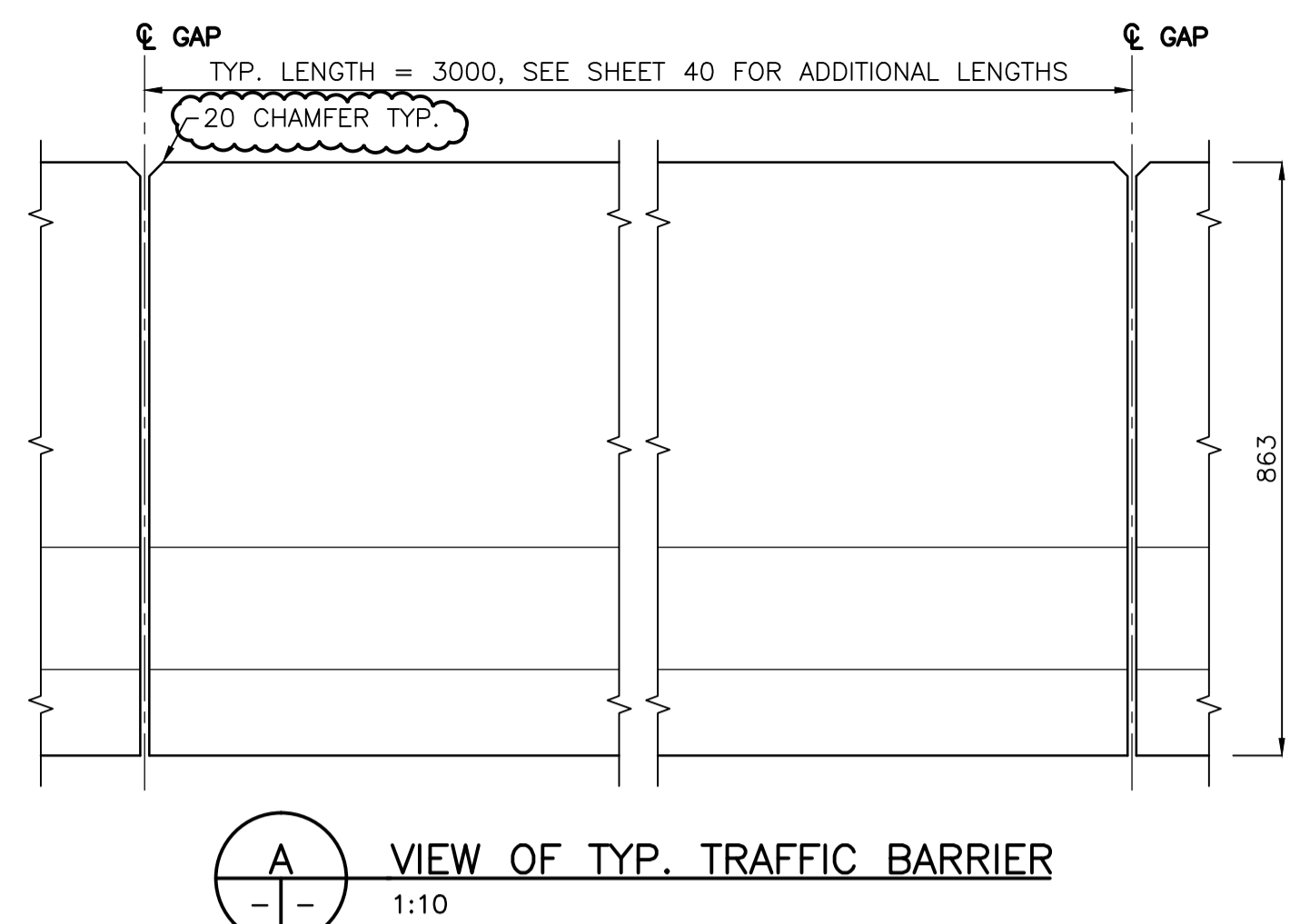
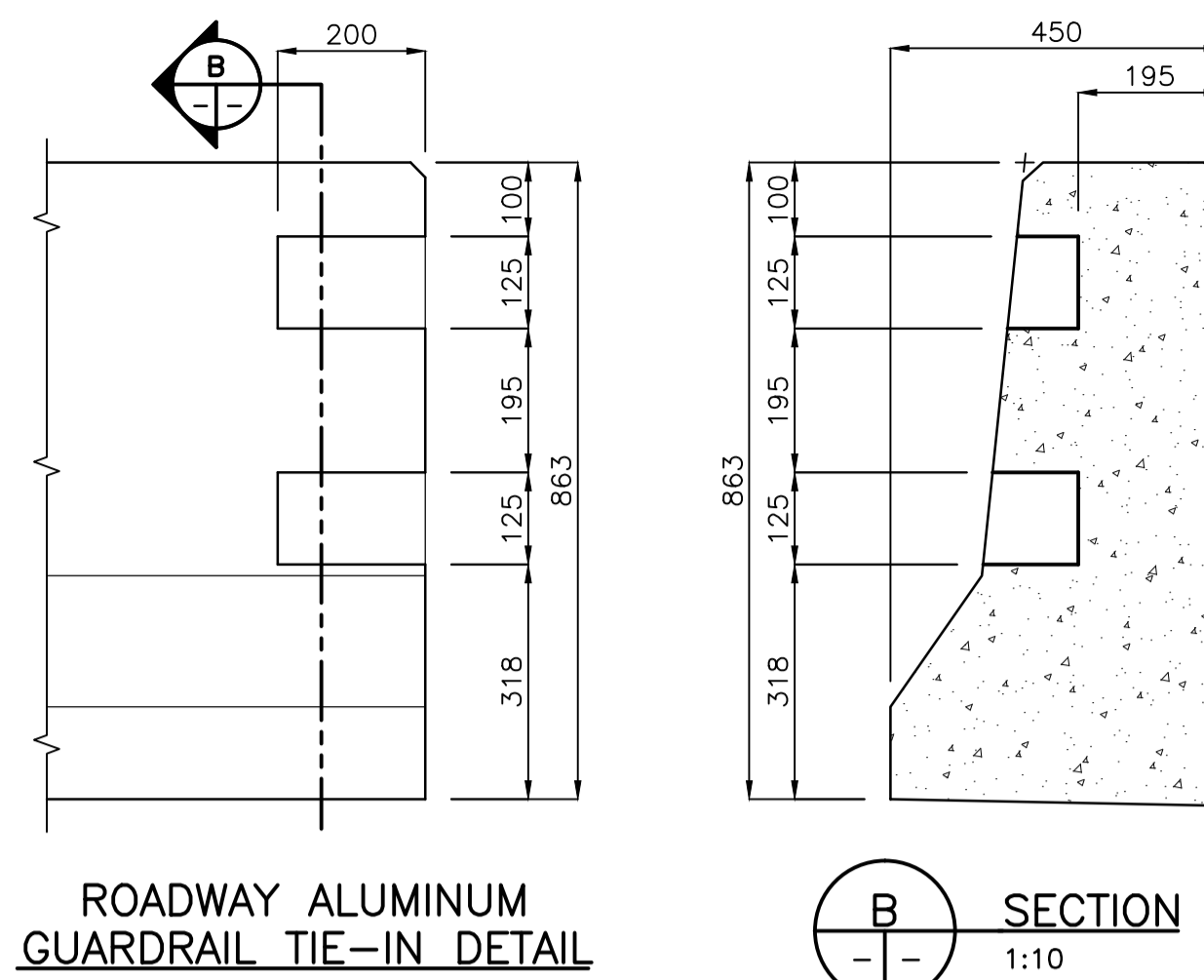


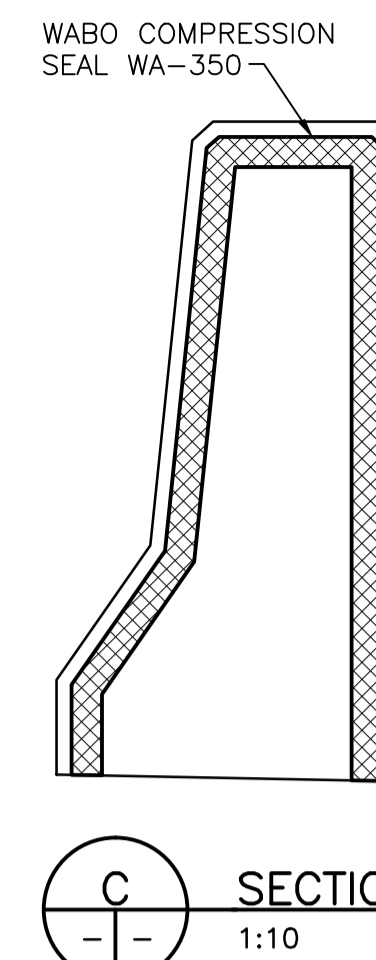
TYPICAL TRAFFIC BARRIER
1:10



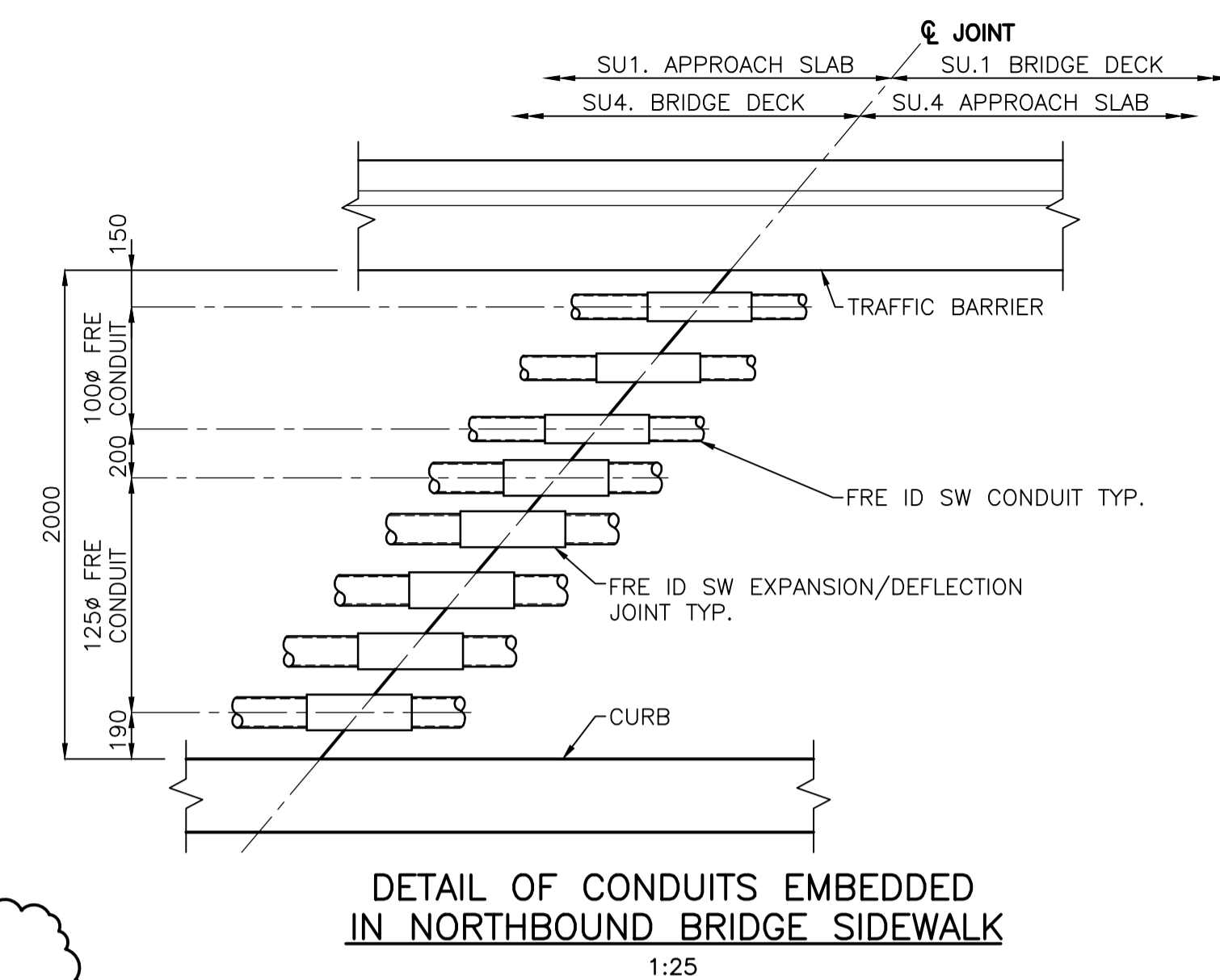
A VIEW OF TYP. TRAFFIC BARRIER
1:10



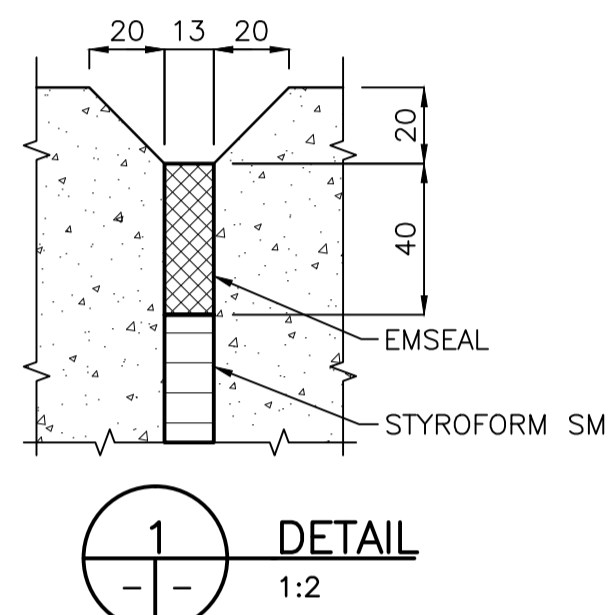
ROADWAY ALUMINUM
GUARDRAIL TIE-IN DETAIL
1:10



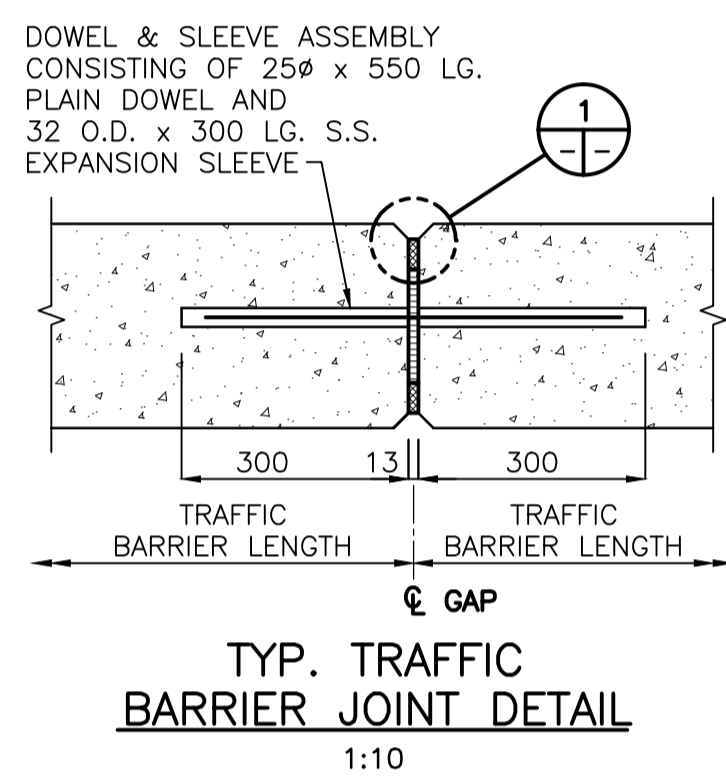
C SECTION
1:10



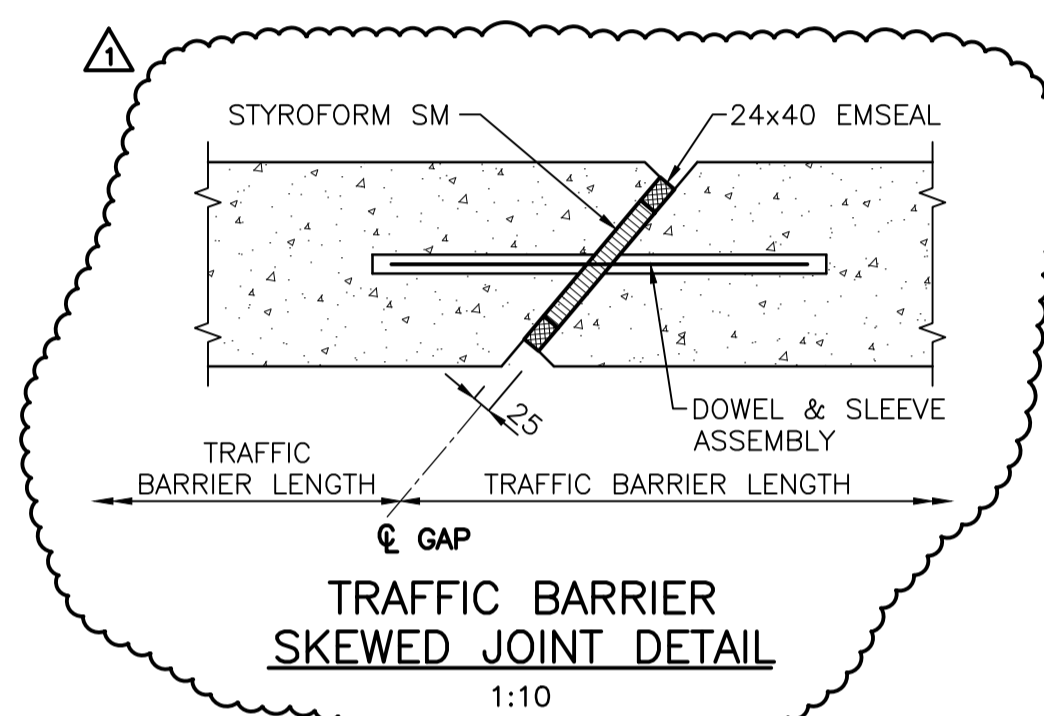
DETAIL OF CONDUITS EMBEDDED
IN NORTHBOUND BRIDGE SIDEWALK
1:25



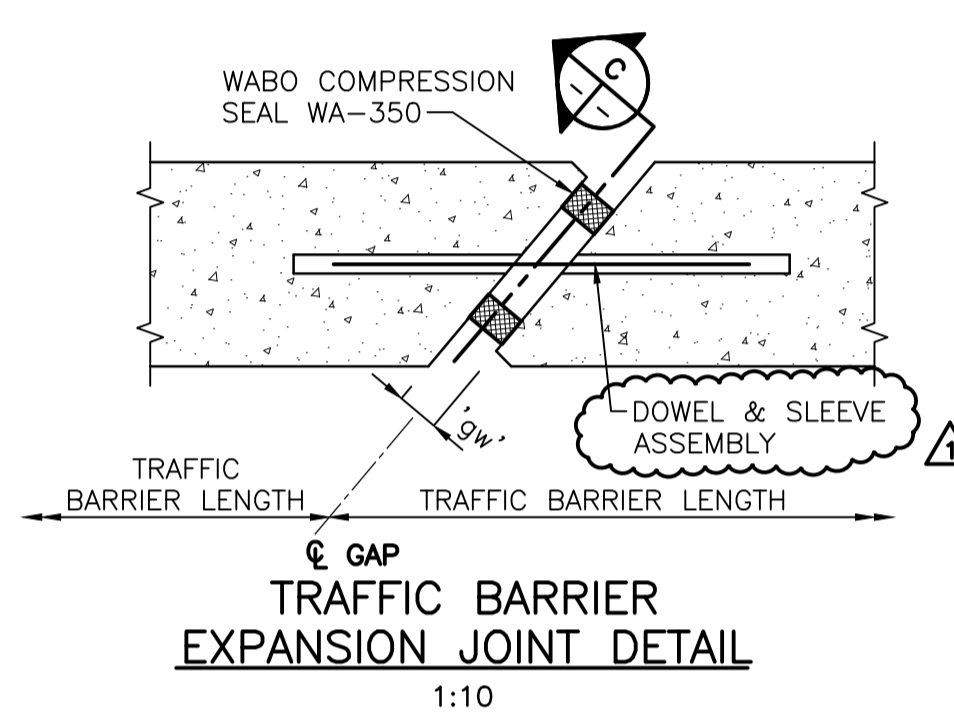
1 DETAIL
1:2



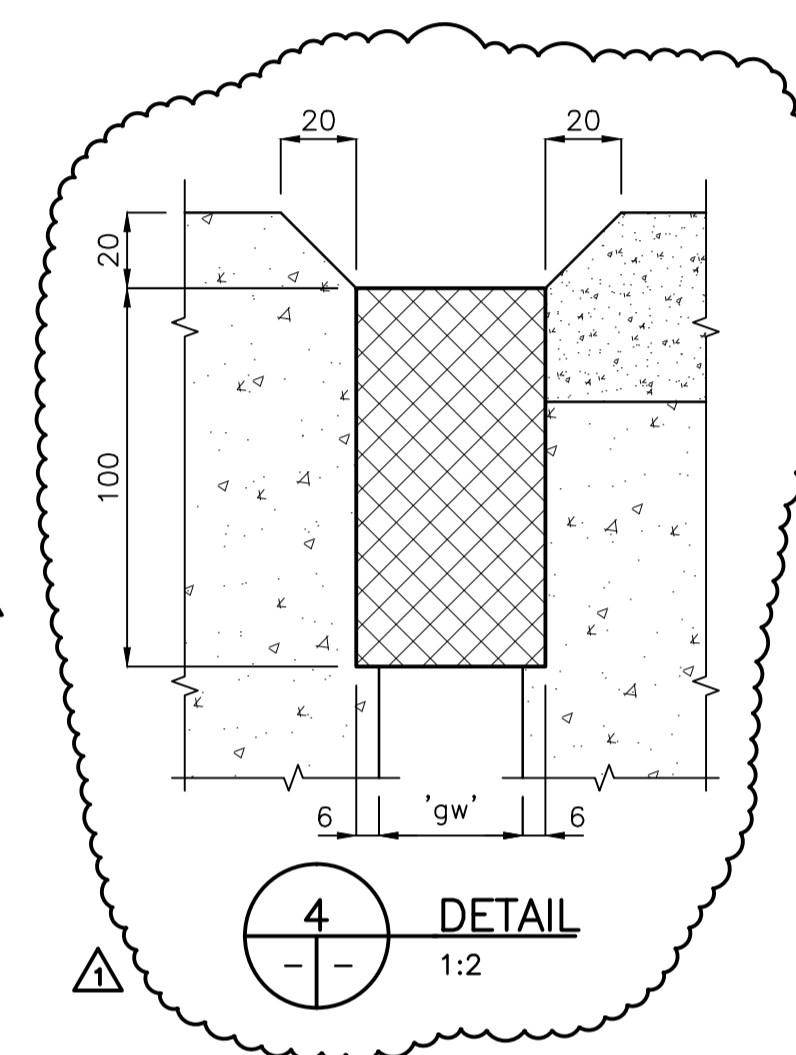
TYP. TRAFFIC
BARRIER JOINT DETAIL
1:10



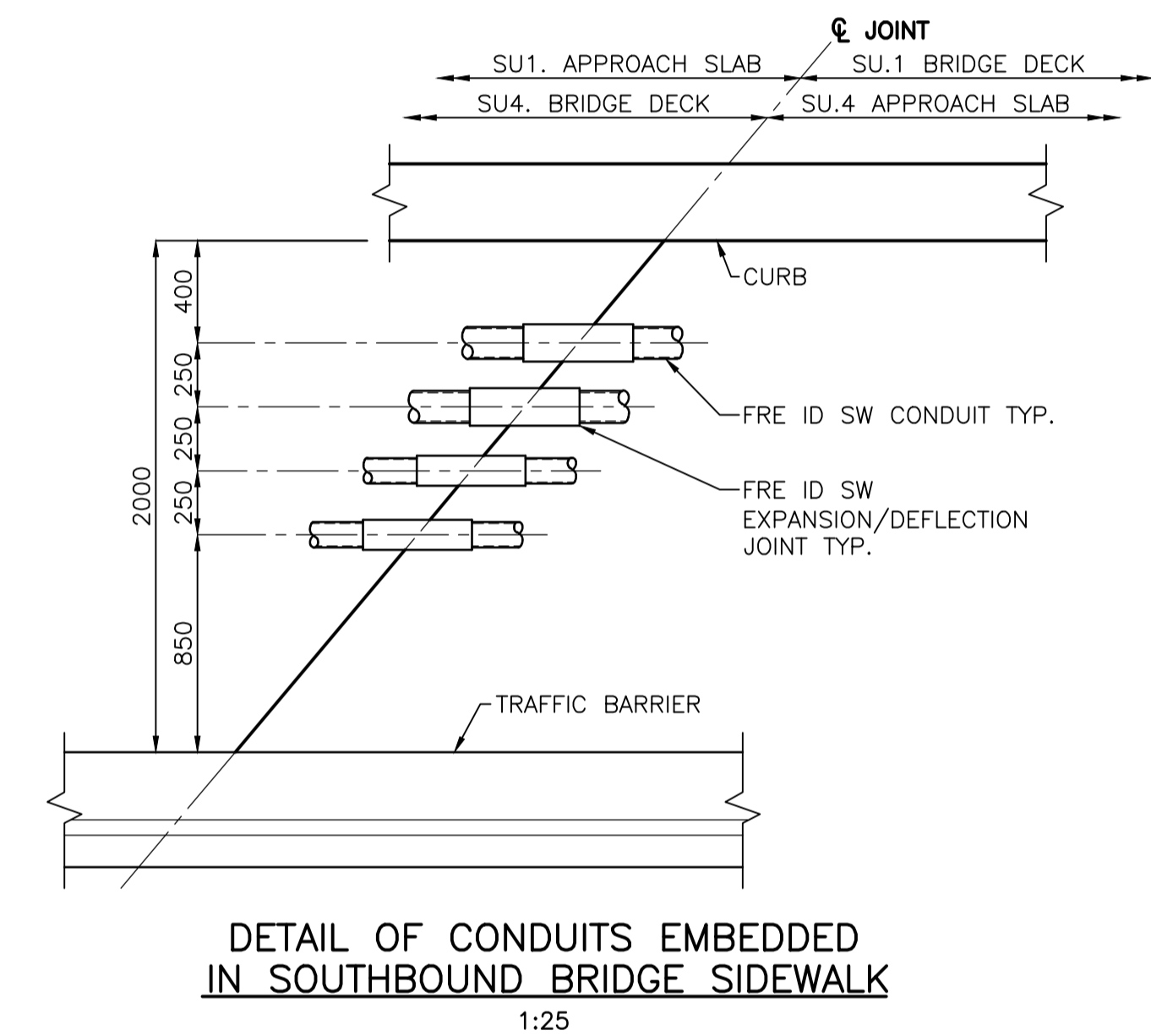
TRAFFIC BARRIER
SKEWED JOINT DETAIL
1:10



TRAFFIC BARRIER
EXPANSION JOINT DETAIL
1:10

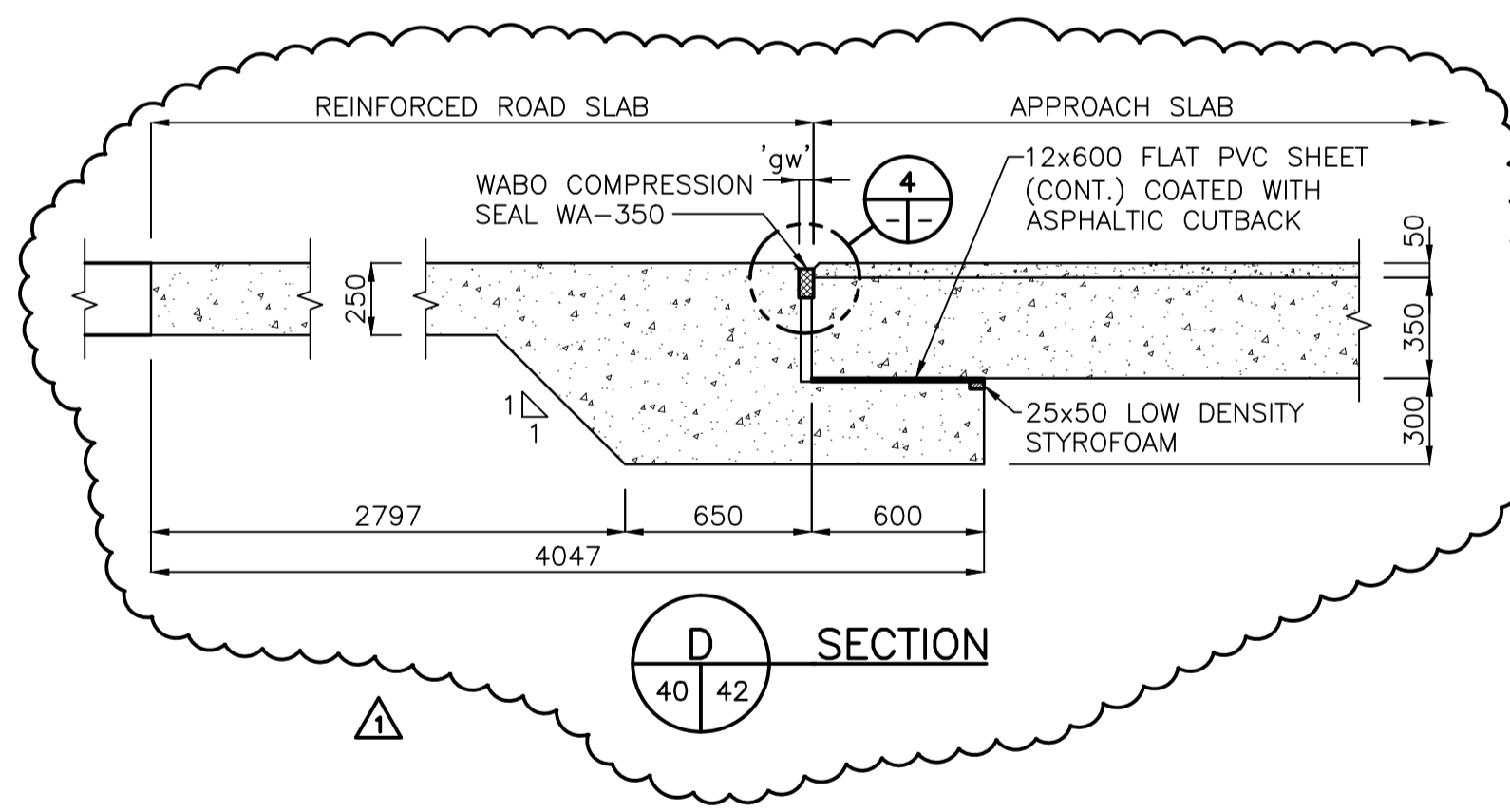


4 DETAIL
1:2

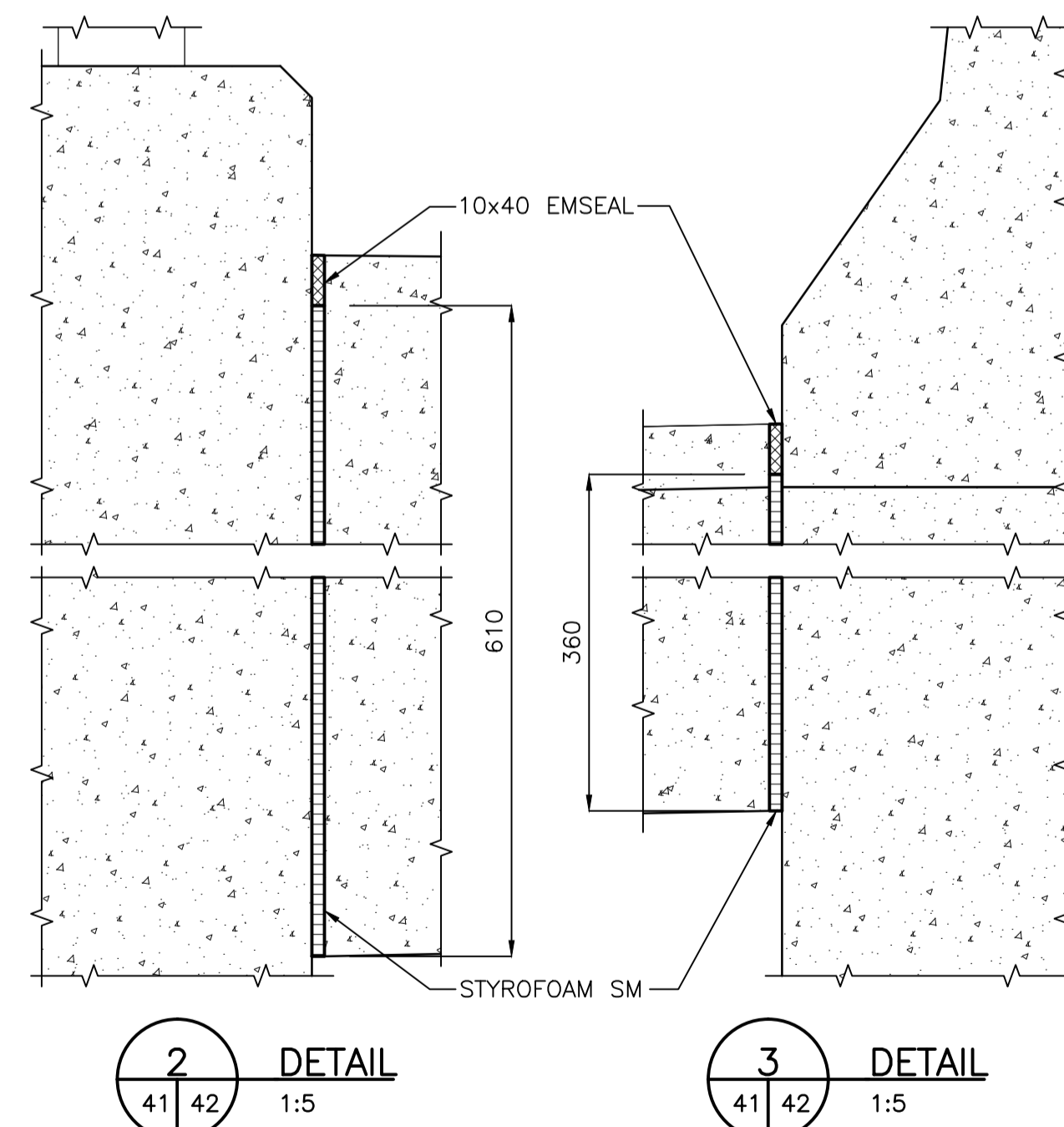


DETAIL OF CONDUITS EMBEDDED
IN SOUTHBOUND BRIDGE SIDEWALK
1:25

EXPANSION JOINT GAP CONSTRUCTION WIDTH													
INSTALLATION TEMPERATURE °C	-30	-25	-20	-15	-10	-5	0	5	10	15	20	25	30
INSTALLATION GAP WIDTH 'gw' mm	64	62	61	60	59	57	56	55	54	52	51	50	49

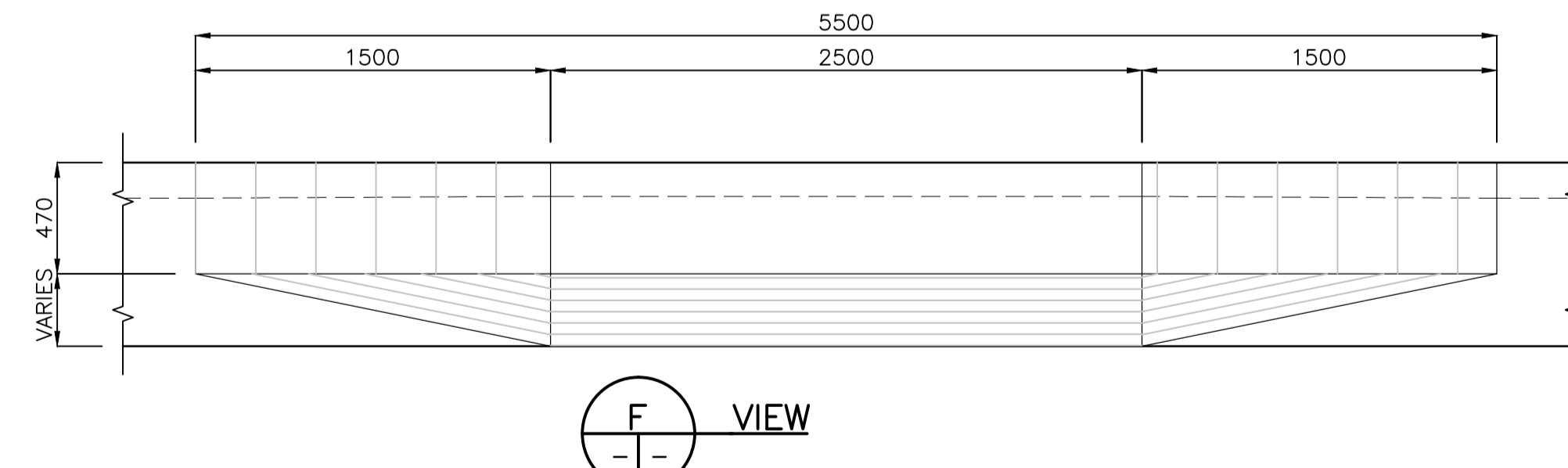


D SECTION
40 42

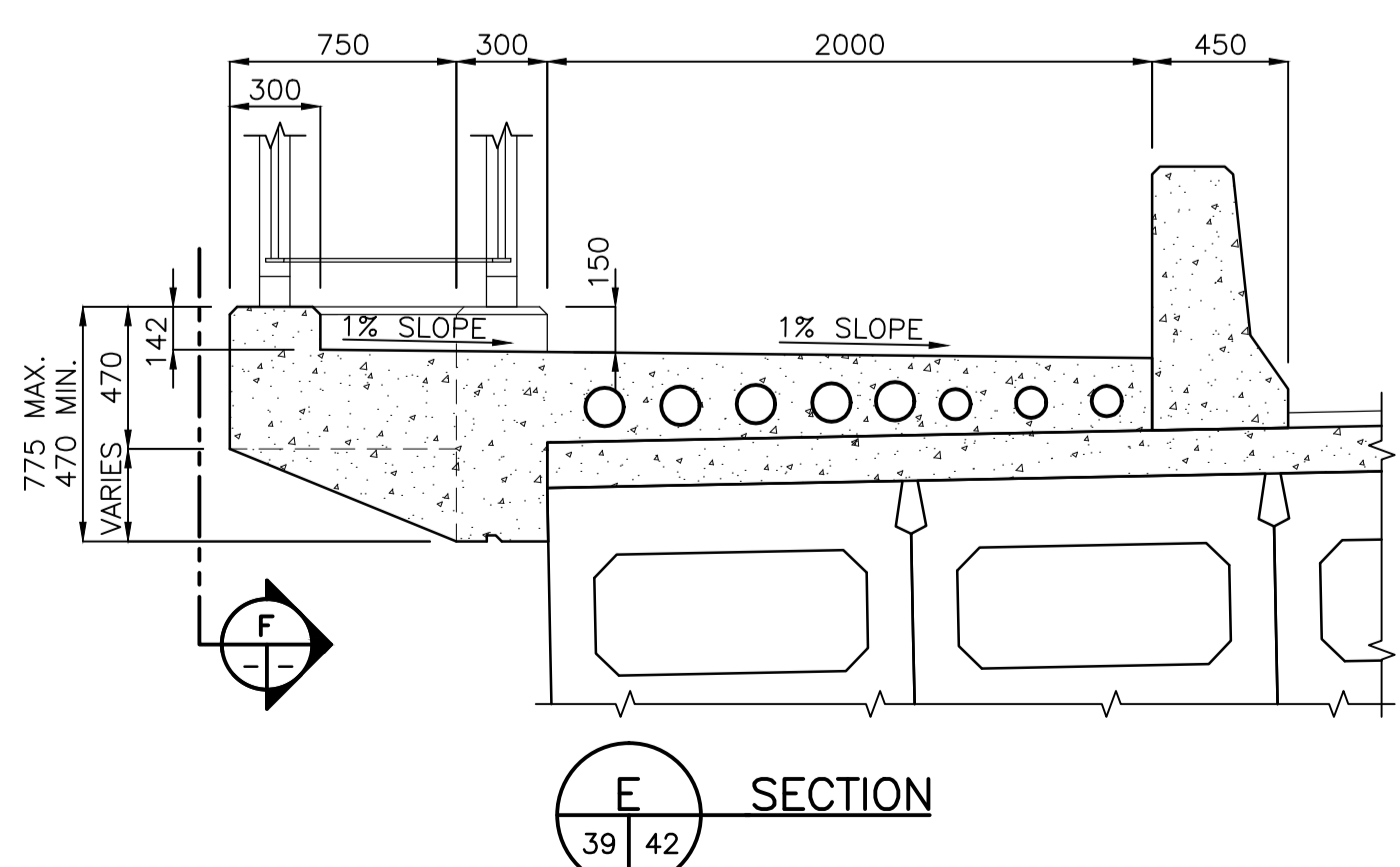


2 DETAIL
41 42 1:5

3 DETAIL
41 42 1:5



F VIEW



E SECTION
39 42

APEGM
Certificate of Authorization
Stantec Consulting Ltd.
No. 1301 Date: _____

METRIC
WHOLE NUMBERS INDICATE MILLIMETRES
DECIMALIZED NUMBERS INDICATE METRES

LOCATION APPROVED
UNDERGROUND STRUCTURES

SUPV. U/G STRUCTURES COMMITTEE	DATE	
--------------------------------	------	--

NOTE:
LOCATION OF UNDERGROUND STRUCTURES AS SHOWN ARE BASED ON THE BEST INFORMATION AVAILABLE BUT NO GUARANTEE IS GIVEN THAT ALL EXISTING UTILITIES ARE SHOWN OR THAT THE GIVEN LOCATIONS ARE EXACT. CONFIRMATION OF EXISTENCE AND EXACT LOCATION OF ALL SERVICES MUST BE OBTAINED FROM THE INDIVIDUAL UTILITIES BEFORE PROCEEDING WITH CONSTRUCTION.

B.M.	ELEV.

1	REVISED PER ADDENDUM No.1	12.01.18	K.S.A.
0	ISSUED FOR TENDER	11.12.15	K.S.A.
NO.	REVISIONS	DATE	BY

Stantec Consulting Ltd.
905 Waverley Street, Winnipeg, Manitoba
Tel 204-489-5900 Fax 204-453-9012

DESIGNED BY	K.S.A.	CHECKED BY	K.S.A.
DRAWN BY	J.M.B.	APPROVED BY	B.J.W.
HOR. SCALE:	1:25	RELEASED FOR CONSTRUCTION:	
VERTICAL:	U.N.O.	DATE	DEC. 15, 2011

ENGINEER'S SEAL

CONSULTANT DRAWING NO.
S-603

THE CITY OF WINNIPEG
PUBLIC WORKS DEPARTMENT
ENGINEERING DIVISION

STURGEON ROAD
BRIDGE REPLACEMENT
PORTAGE AVENUE TO HALLONQUIST DRIVE
CONCRETE DETAILS
S.B. & N.B. DECK & APPROACH SLAB DETAILS

SHEET 42 OF 82
CAD FILE DRAWING NUMBER 31590s-601-767.dwg
CITY DRAWING NUMBER B120-12-042