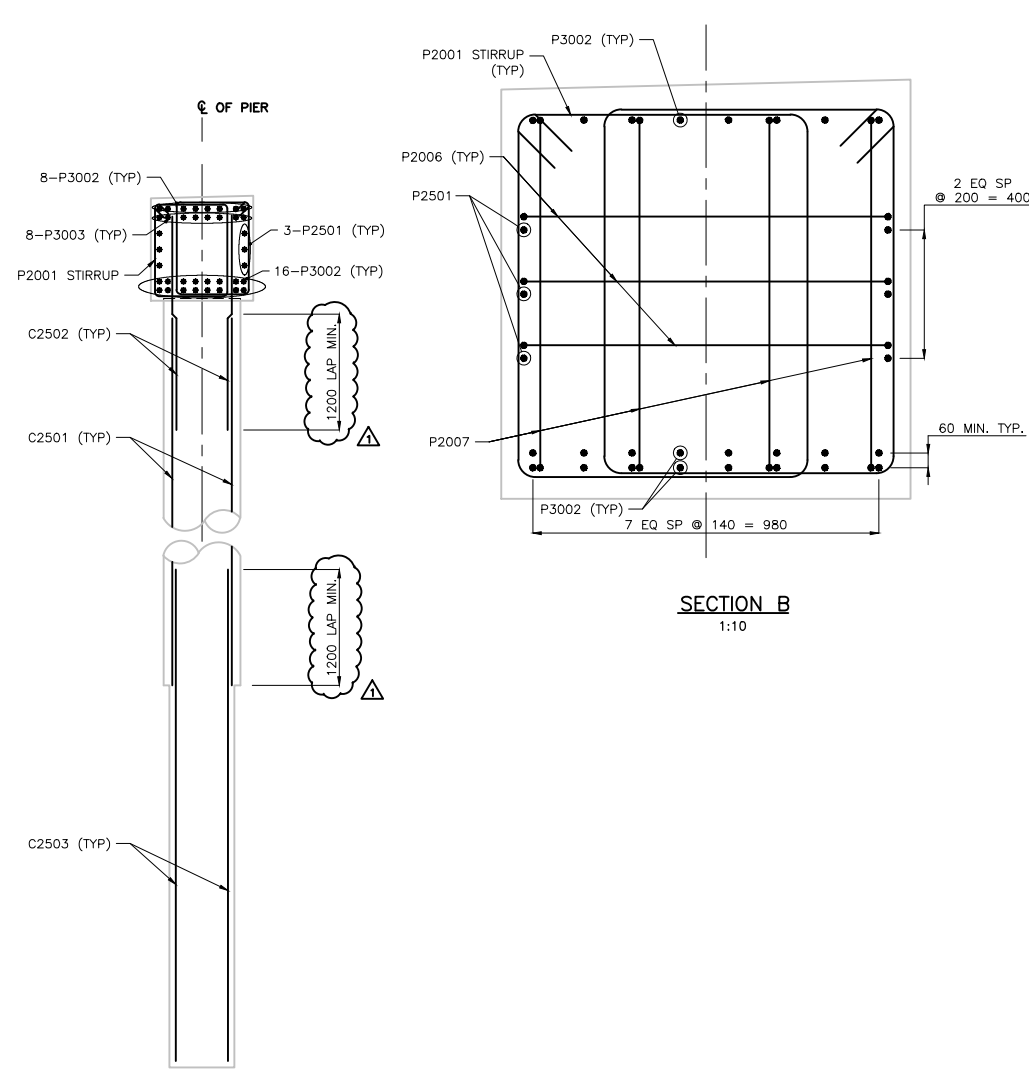


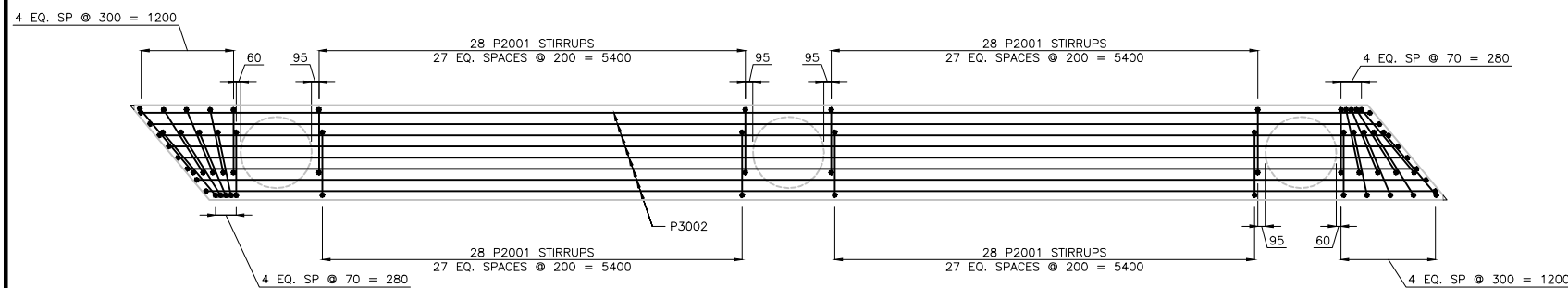
REINFORCEMENT ELEVATION
1:40



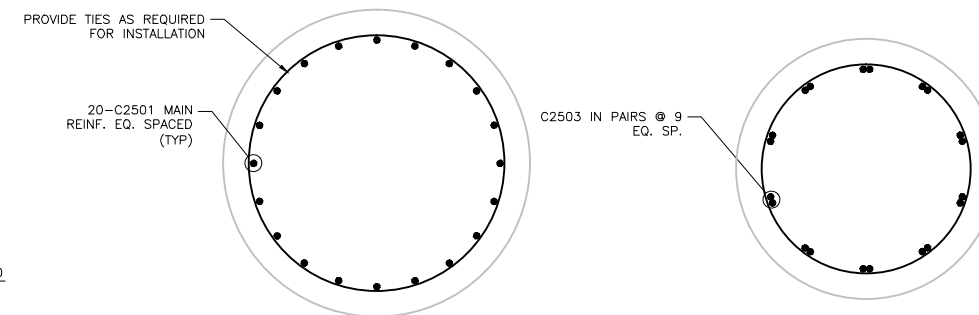
SECTION A
1:40

SECTION B
1:10

NOTE:
1. SEE SHEETS 12 AND 14 FOR BORE HOLE INFORMATION.
2. SEE SHEETS 12 AND 13 FOR CAISSON LAYOUT AND CUT-OFF INFORMATION.



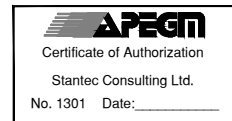
REINFORCEMENT PLAN
1:40



SECTION C
1:10

SECTION D
1:10

V:\137\active\11371590\drawing\403_siddons\sheet_files\bridge\1590s-301-767.dwg
Date: 2012 Jun 19 12:49pm Login: Sigo, Stephanie



METRIC
WHOLE NUMBERS INDICATE MILLIMETRES
DECIMALIZED NUMBERS INDICATE METRES

LOCATION APPROVED UNDERGROUND STRUCTURES

SUPV. U/G STRUCTURES COMMITTEE DATE
NOTE: LOCATION OF UNDERGROUND STRUCTURES AS SHOWN ARE BASED ON THE BEST INFORMATION AVAILABLE BUT NO GUARANTEE IS GIVEN THAT ALL EXISTING UTILITIES ARE SHOWN OR THAT THE GIVEN LOCATIONS ARE EXACT. CONFIRMATION OF EXISTENCE AND EXACT LOCATION OF ALL SERVICES MUST BE OBTAINED FROM THE INDIVIDUAL UTILITIES BEFORE PROCEEDING WITH CONSTRUCTION.

NO.	REVISIONS	DATE	BY
1	REVISED PER ADDENDUM No.1	12.01.18	K.S.A.
0	ISSUED FOR TENDER	11.12.15	K.S.A.

Stantec Consulting Ltd.
100-1355 Taylor Ave., Winnipeg, Manitoba
Tel 204-928-8840 Fax 204-284-4795

DESIGNED BY	K.S.A.	CHECKED BY	K.S.A.
DRAWN BY	J.M.B.	APPROVED BY	B.J.W.
HOR. SCALE:	1:10	RELEASED FOR CONSTRUCTION:	
VERTICAL:	U.N.O.	DATE	DEC. 15, 2011

ENGINEER'S SEAL
CONSULTANT DRAWING NO.
S-303

THE CITY OF WINNIPEG
PUBLIC WORKS DEPARTMENT
ENGINEERING DIVISION

STURGEON ROAD
BRIDGE REPLACEMENT
PORTAGE AVENUE TO HALLONQUIST DRIVE
REINFORCING DETAILS
SOUTHBOUND PIERS SU.2 & SU.3

SHEET	28	OF	82
CAD FILE DRAWING NUMBER 31590s-301-767.dwg			
CITY DRAWING NUMBER B120-12-028			