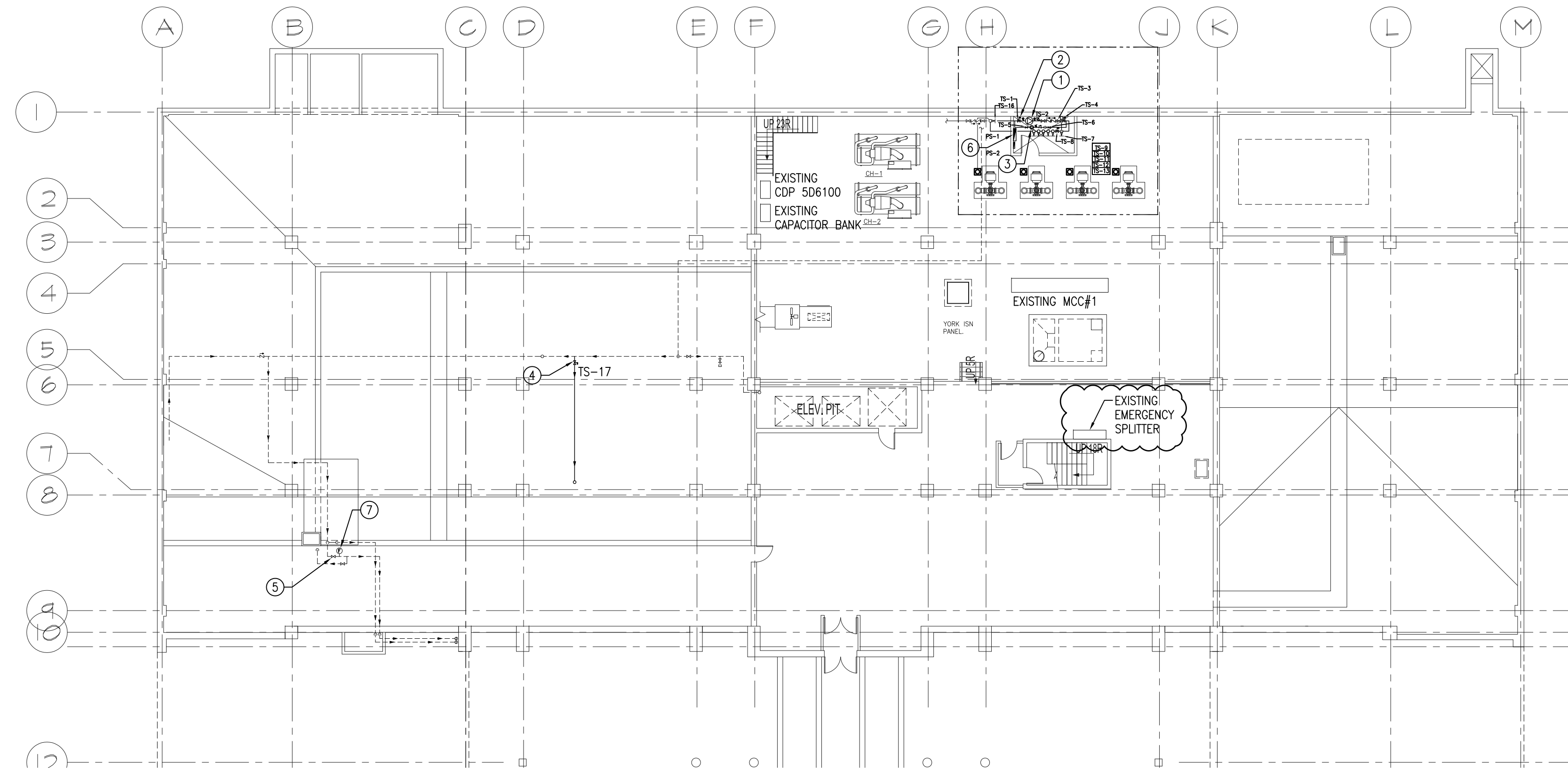
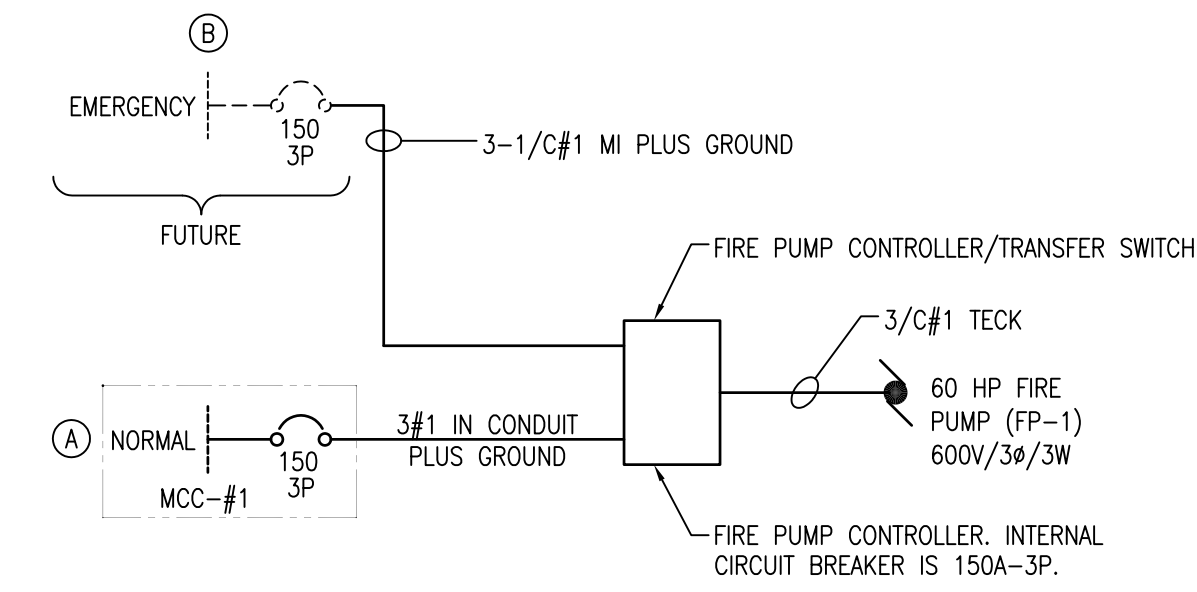


1 PART BASEMENT LEVEL - ELECTRICAL  
SCALE: 1:200

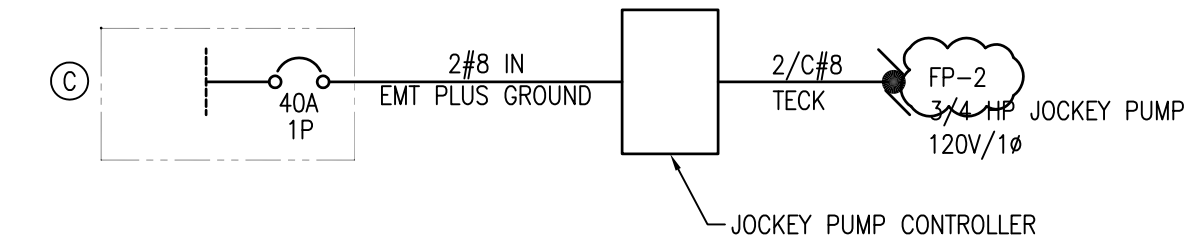


2 PART SUB BASEMENT LEVEL - ELECTRICAL  
SCALE: 1:200



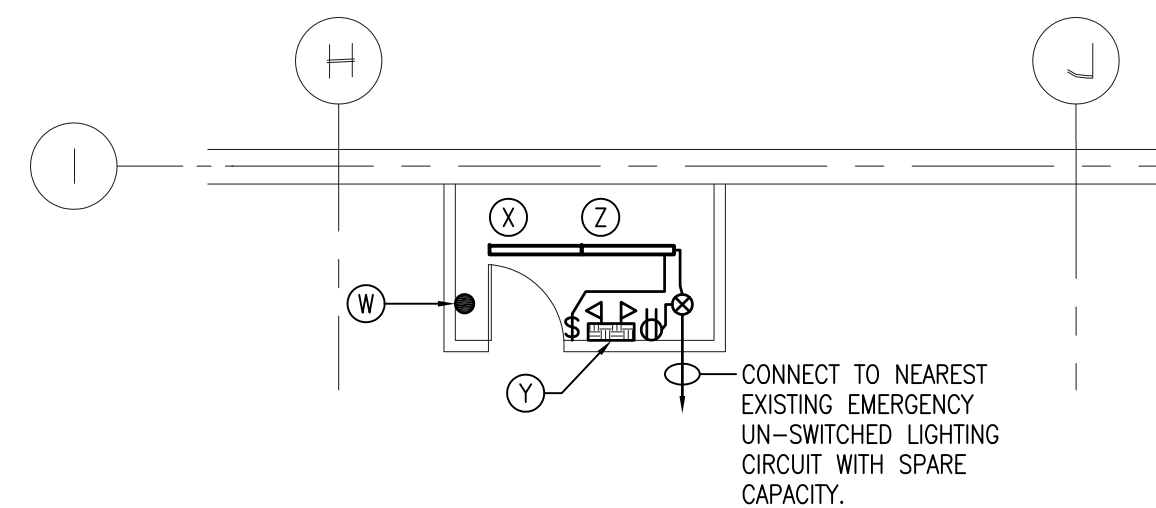
3 FIRE PUMP WIRE SCHEMATIC  
SCALE: 1:200

- A. PROVIDE A CUSTOM BREAKER INSTALLATION INTO THE EXISTING MCC#1 TO FEED FP-1. BREAKER KAIC TO MATCH EXISTING.
- B. EXTEND MI FEEDER UP TO FUTURE EMERGENCY CDP ON 7th FLOOR WHERE NOTED ON DRAWING E-2. COIL 20' OF MI ABOVE CDP FOR FUTURE CONTRACTOR TO CONNECT.



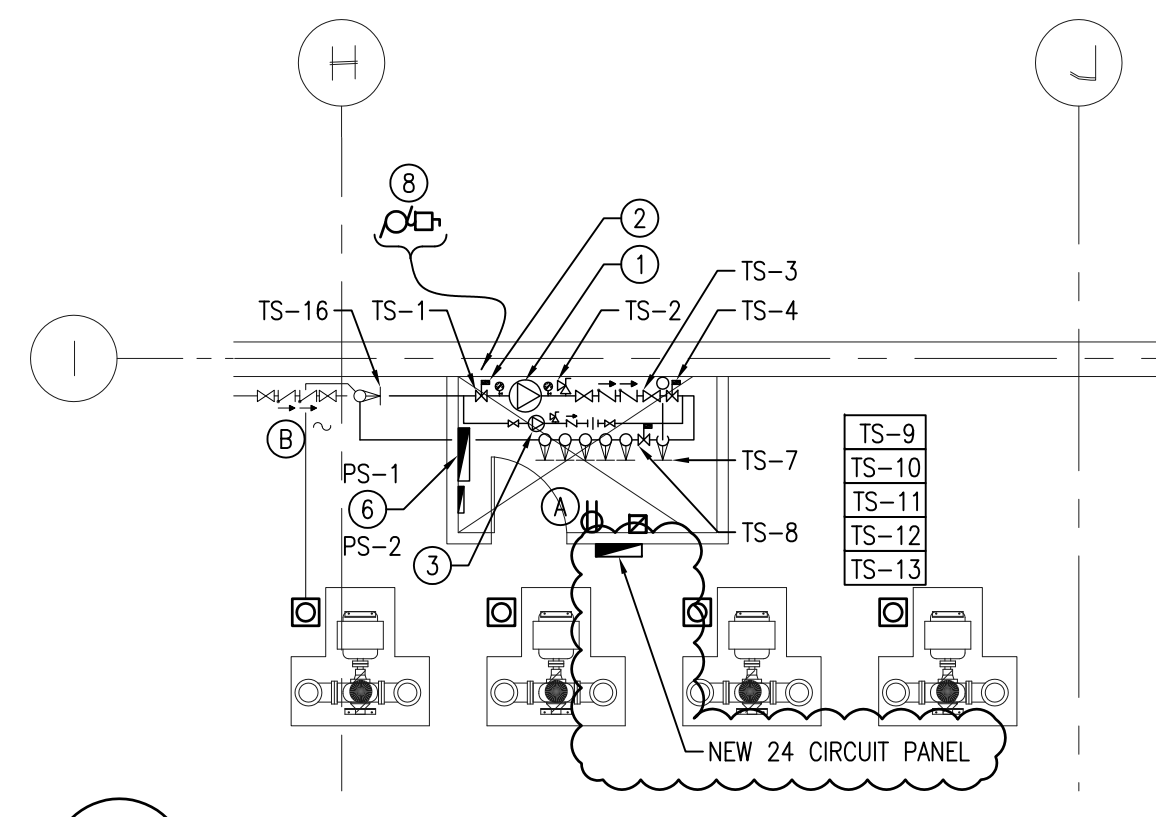
4 JOCKEY PUMP WIRING SCHEMATIC  
SCALE: 1:200

- C. PROVIDE BREAKER INSTALLATION INTO NEAREST EXISTING PANEL TO FEED NEW JP-1. BREAKER KAIC TO MATCH EXISTING.



5 FIRE PUMP ROOM - LIGHTING  
SCALE: 1:100

- W. NEW FIRE ALARM TO BE CONNECTED TO NEAREST EXISTING AUDIBLE DEVICE.
- X. 2 LAMP T-8 FIXTURE C/W WIREGUARD, MOUNTED ON U/S OF DRYWALL CEILING. LITHONIA #P232WGPK OR EQUAL.
- Y. BATTERY BANK 60 MINUTES C/W 2-9W HEADS.
- Z. PROVIDE ACCESS PANELS AS REQUIRED TO ACCESS ELECTRICAL ABOVE.



6 FIRE PUMP ROOM - SYSTEMS  
SCALE: 1:100

- A. FEED NEW DUPLEX FROM NEAREST EMERGENCY PANEL 15A-120V DEDICATED CIRCUIT.
- B. REMOVE ANY REDUNDANT FIRE ALARM WIRING.

NOTES :

**DRAWING NOTES**

1. NEW FIRE PUMP (FP-1) C/W CONTROLLER/TRANSFER SWITCH. WIRING BY ELECTRICAL.
2. FIRE PUMP SUCTION LINE C/W ISOLATION VALVE AND TAMPER SWITCH. WIRING BY ELECTRICAL.
3. NEW JOCKEY PUMP (FP-2) C/W CONTROLLER (SUPPLIED BY MECHANICAL AS SPECIFIED). WIRING BY ELECTRICAL.
4. NEW COMBINED SPRINKLER/FIRE MAIN TO EXISTING COMBINED SPRINKLER/FIRE STANDPIPE MAIN LINE C/W ISOLATION VALVE WITH TAMPER SWITCH. WIRING BY ELECTRICAL.
5. EXISTING CAFE ZONE CONTROL VALVE C/W FLOW SWITCH TO REMAIN.
6. ISOLATION VALVES WITH TAMPER SWITCHES FOR FUTURE SPRINKLER SYSTEM AND FIRE HOSE VALVE CONNECTION. REFER TO SHEET NUMBER E3.0 - ELECTRICAL TO WIRE NEW LOOP TO FACP.
7. EXISTING DELUGE VALVE C/W FLOW SWITCH TO REMAIN.
8. NEW EXHAUST FAN, CONNECT TO MANUAL STARTER AT DOOR. FEED WITH 2#12, 15A-1P BREAKER FROM NEAREST EMERGENCY PANEL 1/4HP-120V.
9. PROVIDE A 24 CCT PANELBOARD FED FROM THE EXISTING EMERGENCY SPLITTER. FEED THE NEW PANEL WITH A 60A-3P FUSED DISCONNECT, 60 A FUSES, 4# IN EMT. PROVIDE A 40A-1P TO FEED THE NEW JOCKEY PUMP, 1-15A-1P TO FEED THE NEW DUPLEX OUTLET, 1-15A-1P TO FEED THE NEW EXHAUST FAN, PROVIDE 4 SPARE 15A-1P BREAKERS ALSO.

2	ISSUED FOR ADDENDUM #2	BL	3/24/09
1	ISSUED FOR BID OPPORTUNITY	BL	3/04/09
	REVISION/DESCRIPTION	BY	DATE

SEALS

ORIGINAL CONTRACT DRAWING SIGNED AND SEALED BY B.D. LESKO, P. ENG MARCH 09, 2009

**APEGM**  
Certificate of Authorization  
SMS Engineering Ltd.  
No. 166 Expiry: April 30, 2009

DRAWN BY	KAM	CHECKED BY	CR	APPROVED SGL
DATE	2006.01.16	USER APPROVAL		

CITY OF WINNIPEG  
PLANNING, PROPERTY & DEVELOPMENT DEPARTMENT  
CIVIC ACCOMMODATIONS DIVISION  
300 - 65 GARRY ST. R3C 4K4

PROJECT  
HALON SYSTEM REPLACEMENT  
510 MAIN STREET

510 MAIN STREET  
SHEET TITLE  
PART SUB-BASEMENT MECHANICAL ROOM  
PLAN - NEW FIRE PUMP  
ELECTRICAL

SCALE	PROJECT NO.	SHEET NO.
AS SHOWN	07-176-02	E1.0