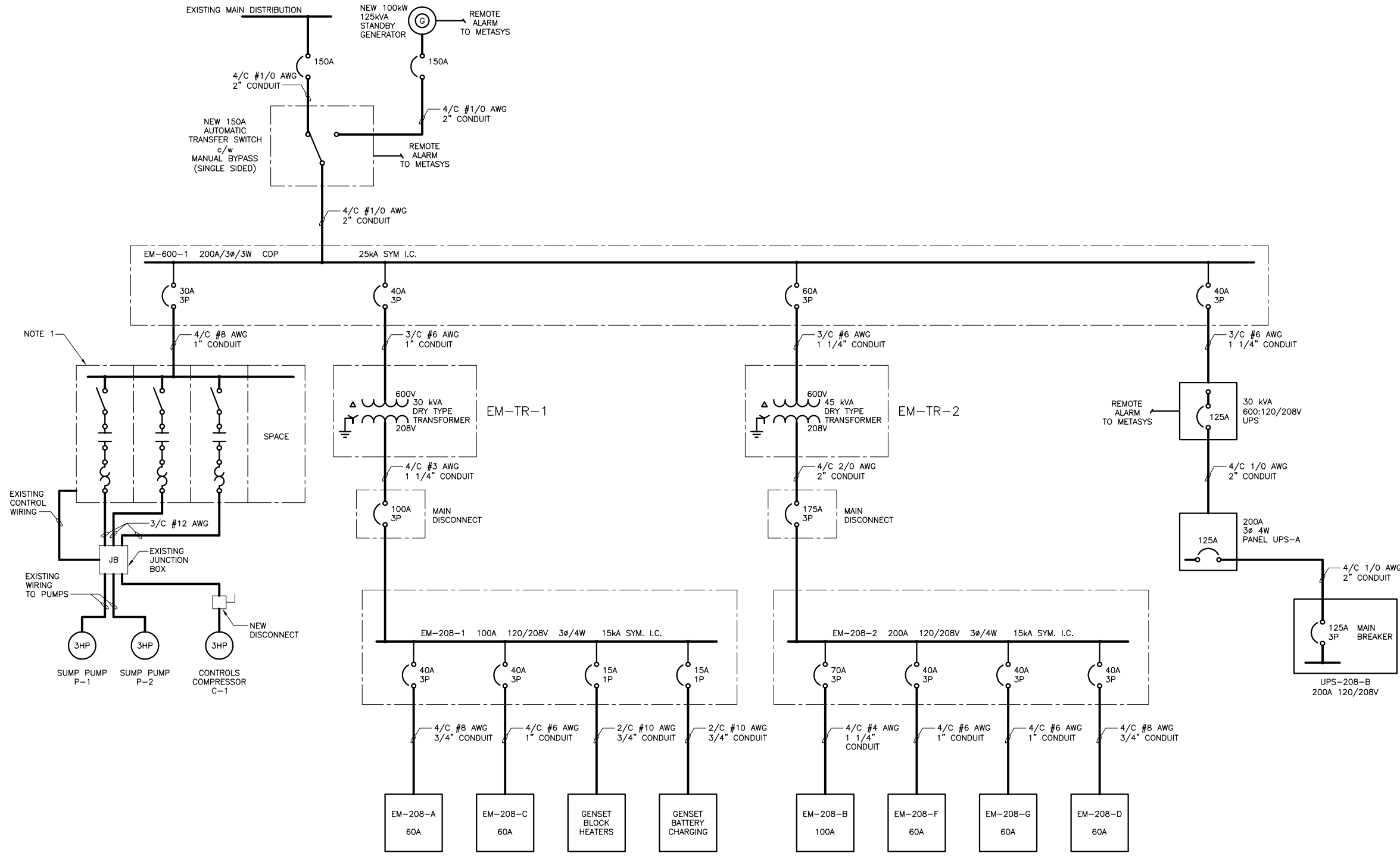


NOTES:

- 1. EXISTING STARTERS ARE IN MCC. NEW STARTERS TO BE MOUNTED AT LOCATION SHOWN.



A SINGLE LINE DIAGRAM
SCALE: N.T.S.

1	22/11/06	ISSUED FOR ADDENDUM #2	
0	23/10/06	ISSUED FOR TENDER	
NO.	D / M / Y	DESCRIPTION	BY

REVISIONS / ISSUE	
A	SECTION LETTER OR DETAIL NUMBER
B	DRAWING WHERE SECTION OR DETAIL IS DRAWN
A	OR DRAWING WHERE SECTION OR DETAIL WAS INDICATED
-	SECTION OR DETAIL SHOWN ON SAME DRAWING

KGS GROUP CONSULTING ENGINEERS & PROJECT MANAGERS
WINNIPEG (204) 896-1209
THUNDER BAY (807) 345-2233

CLIENT: **CITY OF WINNIPEG**
PUBLIC WORKS DEPARTMENT

PROJECT: **INSTALLATION OF EMERGENCY GENERATOR AT PAN-AM POOL - 25 POSEIDON BAY TENDER No. 663-2006**

DWG. DESCRIPTION: **ELECTRICAL SINGLE LINE DIAGRAM**

ENG. STAMP: A.R.D. PAWLIKOWICZ PROFESSIONAL ENGINEER 23235	DESIGNED BY: JW CHECKED BY: BGO	DRAWN BY: BGO CHECKED BY:
APPROVED:	SCALE: AS NOTED	DATE: OCT/2006
KGS DWG. NO. 06-0107-08	E5	

APEGM
Certificate of Authorization
KGS Group
No. 245 Expiry: April 30, 2007

CLIENT DWG. NO. 663-P-E05	REV: 1
----------------------------------	---------------