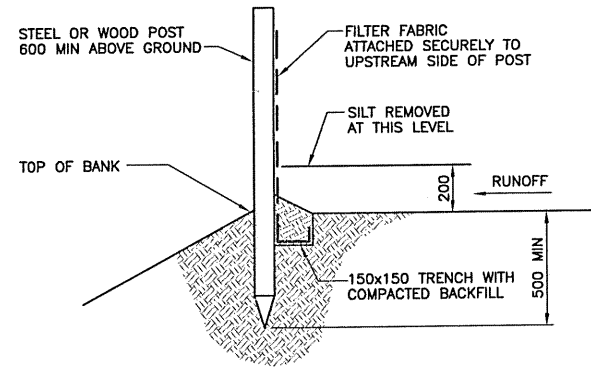


ISOMETRIC DETAIL
SCALE: NTS

NOTE:
SILT FENCE PLACED WHERE SHOWN ON THE DRAWING TO MAXIMIZE PONDING EFFICIENCY, AND PREVENT SEDIMENT FROM ENTERING TREED AREAS OF THE RIVER.



SECTION A-A
TRENCH WITH NATIVE BACKFILL
SILT FENCE DETAILS
SCALE: NTS

2005\05-0107-11\MAIN\DWGS\OUTFALL-WORKING-DWGS\BID-2-DETAILS-PLT.DWG

METRIC
WHOLE NUMBERS INDICATE MILLIMETRES
DECIMALIZED NUMBERS INDICATE METRES

APEGM
Certificate of Authorization
KGS Group
No. 245 Expiry: April 30, 2008

<p>LOCATION APPROVED UNDERGROUND STRUCTURES</p> <p>SUPV. U/G STRUCTURES COMMITTEE DATE</p> <p>NOTE: LOCATION OF UNDERGROUND STRUCTURES AS SHOWN ARE BASED ON THE BEST INFORMATION AVAILABLE BUT NO GUARANTEE IS GIVEN THAT ALL EXISTING UTILITIES ARE SHOWN OR THAT THE GIVEN LOCATIONS ARE EXACT. CONFIRMATION OF EXISTENCE AND EXACT LOCATION OF ALL SERVICES MUST BE OBTAINED FROM THE INDIVIDUAL UTILITIES BEFORE PROCEEDING WITH CONSTRUCTION.</p>	<p>B.M. ELEV.</p> <table border="1" style="width: 100%; border-collapse: collapse;"> <tr><td> </td><td> </td><td> </td><td> </td></tr> <tr><td> </td><td> </td><td> </td><td> </td></tr> <tr><td> </td><td> </td><td> </td><td> </td></tr> <tr><td> </td><td> </td><td> </td><td> </td></tr> </table>																	<p>KGS GROUP CONSULTING ENGINEERS & PROJECT MANAGERS WINNIPEG (204) 896-1209 THUNDER BAY (807) 345-2233</p>	<p>ENGINEER'S SEAL</p>	<p>THE CITY OF WINNIPEG WATER & WASTE DEPARTMENT</p>	<p>EASTWOOD OUTFALL</p>	<p>SHEET 06 OF 06 CAD FILE DRAWING NUMBER 05-107-11 CITY DRAWING NUMBER LD-3272</p>
<p>DESIGNED BY RJH DRAWN BY DW</p> <p>1 REISSUED FOR TENDER 02/02/06 RJH 0 ISSUED FOR TENDER 23/01/06 RJH A ISSUED FOR REVIEW 18/01/06 RJH</p>	<p>CHECKED BY RJH APPROVED BY</p>	<p>HOR. SCALE: AS NOTED VERTICAL:</p>	<p>RELEASED FOR CONSTRUCTION: DATE</p>	<p>CONSULTANT DRAWING NO. 05-107-11_06</p>	<p>SILT FENCE & MISCELLANEOUS DETAILS</p>	<p>DATE 12/09/05</p>																