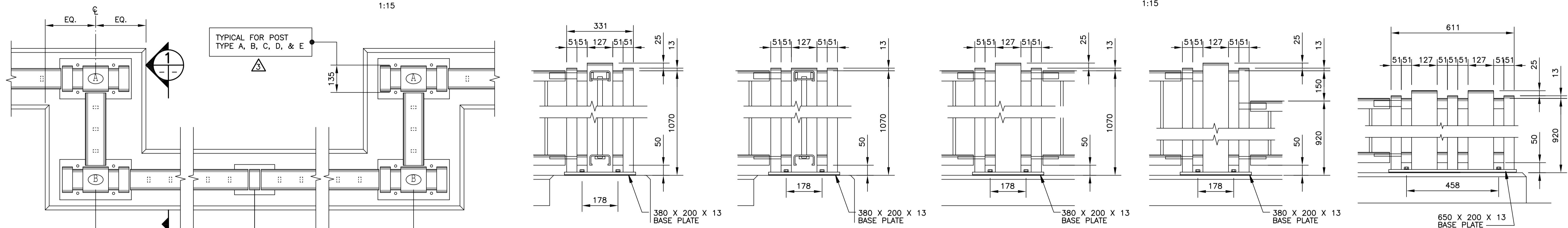


PLAN VIEW SOUTH APPROACH HANDRAIL

PLAN VIEW NORTH APPROACH HANDRAIL

1:15

1:15



PLAN VIEW TYPICAL REST AREA

POST TYPE A

POST TYPE B

POST TYPE C

POST TYPE D

POST TYPE E

1: 10

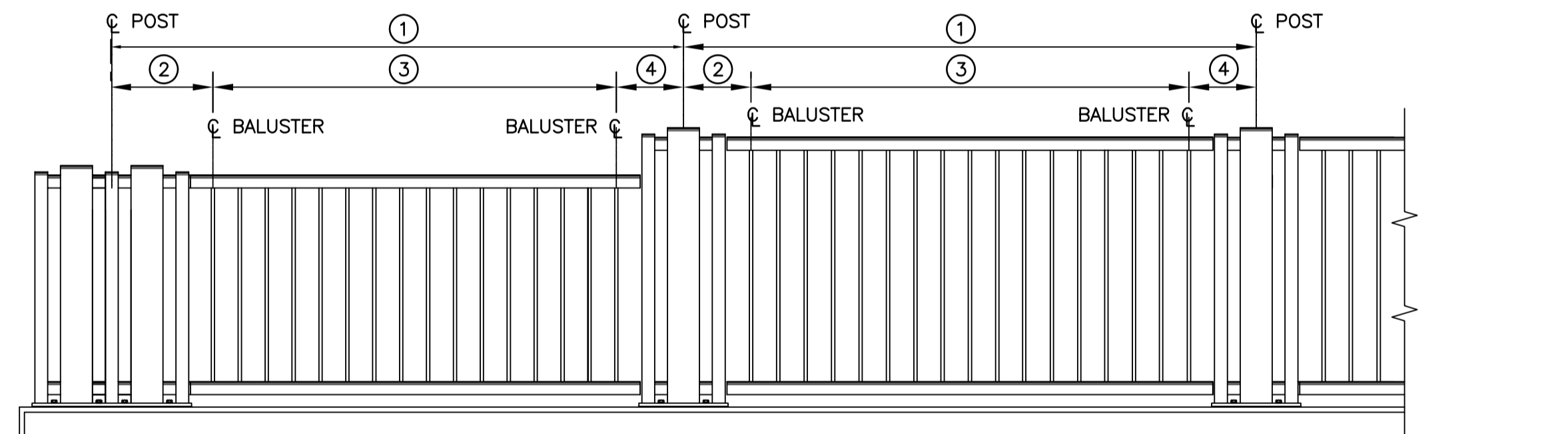
1: 10

1: 10

1: 10

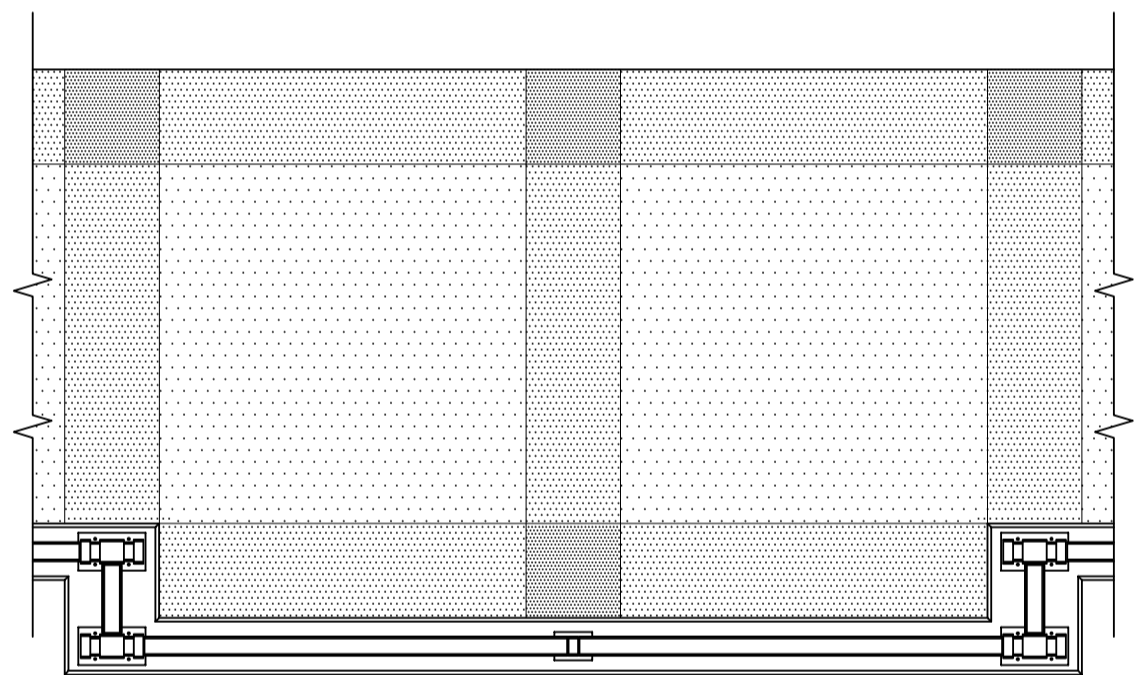
1: 10

1: 10



ELEVATION OF SOUTH END OF HANDRAIL

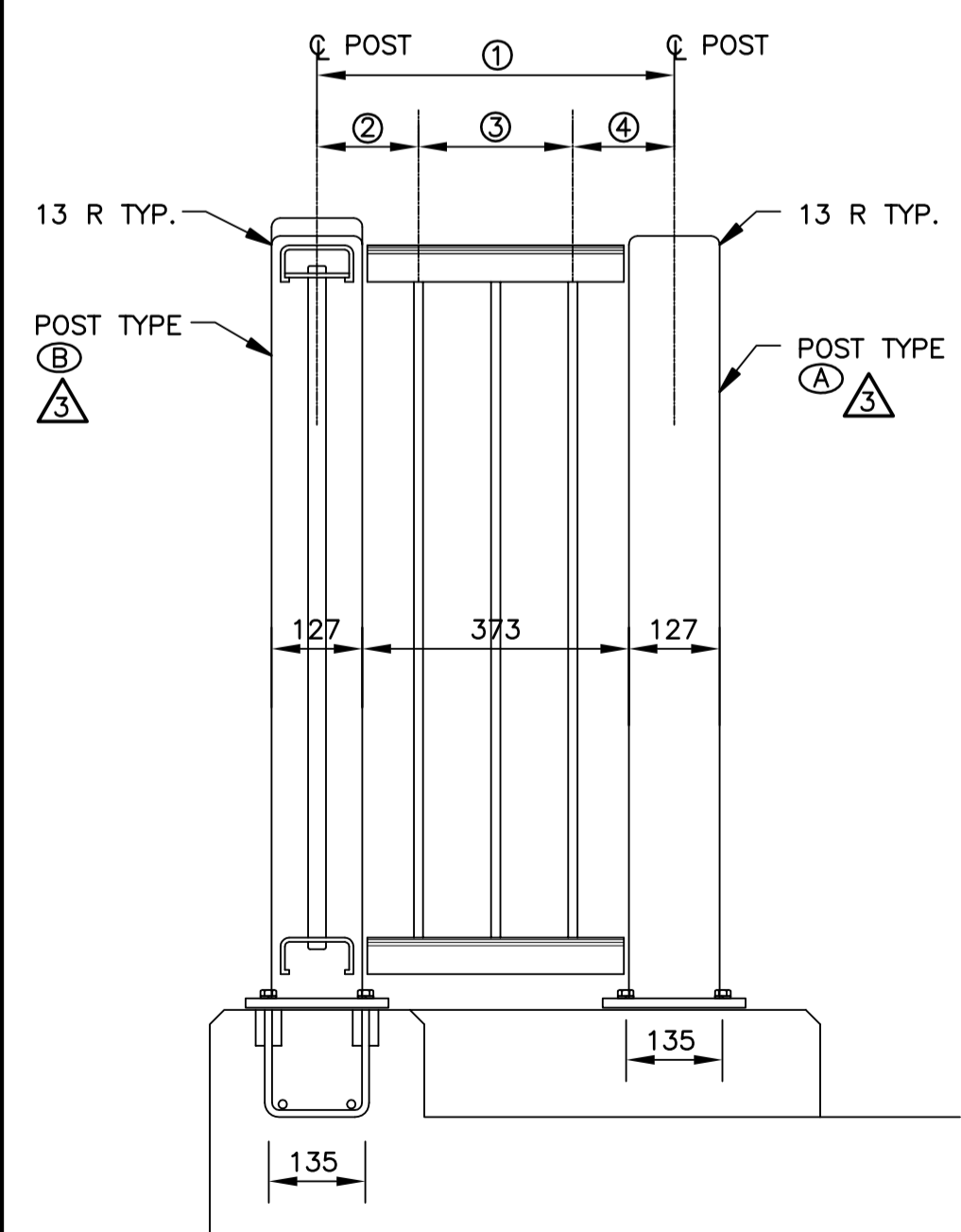
1: 20



PAVING PATTERN - TYPICAL REST AREA

1: 40

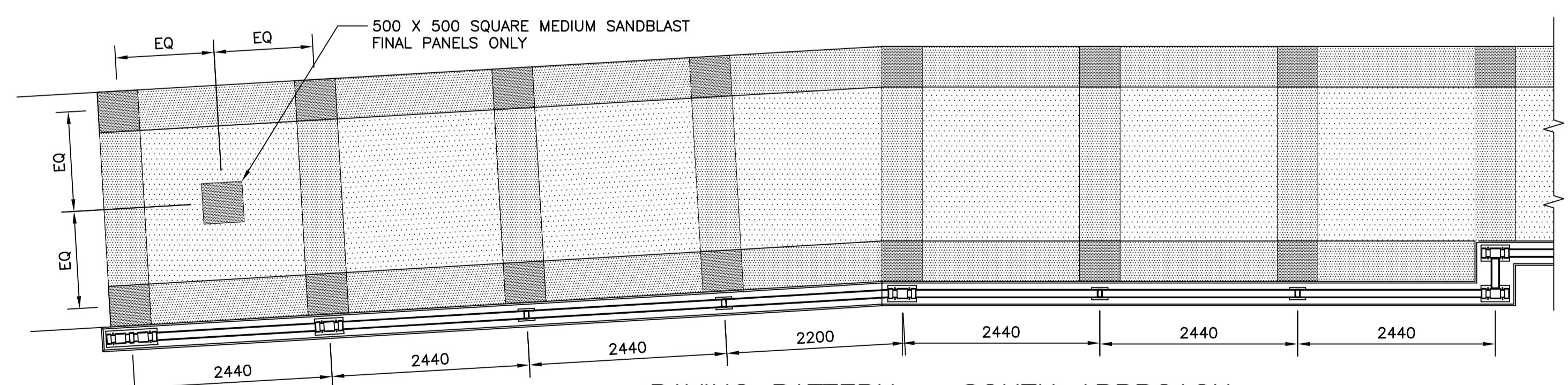
NOTE:  
ADD TWO (2) 500 X 500 SQUARES  
(MEDIUM SANDBLAST) IN CORRESPONDING  
LOCATIONS ON EXISTING WEST  
BRIDGE SIDEWALK



SECTION

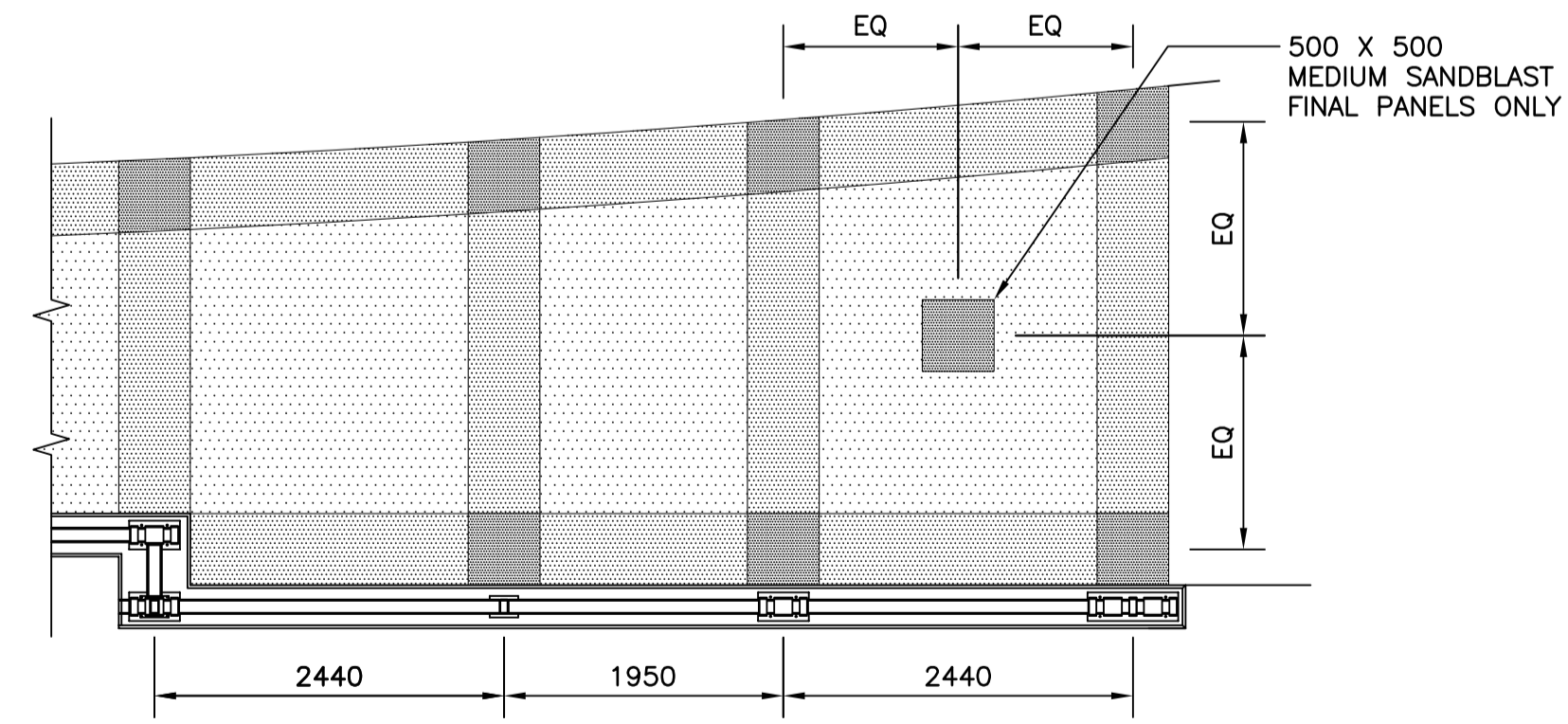
1: 10

- BROOM FINISH
- LIGHT SANDBLAST
- MEDIUM SANDBLAST



PAVING PATTERN - SOUTH APPROACH

1:50



PAVING PATTERN - NORTH APPROACH

1:50

B.M. ELEV.	DESIGNED BY	R.G.M.
	DRAWN BY	G.C.L.
	CHECKED BY	R.A.W.
	REVIEWED BY	R.A.W.
3 POSTS CLARIFICATION	02/22/06	N.B.G.
2 ISSUED FOR TENDER	02/02/06	N.B.G.
1 ISSUED FOR CITY REVIEW	12/14/05	N.B.G.
NO. REVISIONS	DATE	BY
	DATE	DEC. 2005

**DILLON CONSULTING**

RELEASED FOR CONSTRUCTION  
ORIGINAL SIGNED BY B. EBENSPANGER  
DATE

HILDEMAN THOMAS FRASER & CREAN  
Landscape Architecture + Planning  
20015 Bissett Avenue, Suite 100, Winnipeg, Manitoba R2V 4K1  
Tel: 204.343.2997 Fax: 204.343.1887 www.hillcrean.com

ENGINEER'S SEAL  
ORIGINAL STAMPED BY  
Glen Manning  
Member No. 61  
01/31/05

CONSULTANT PROJECT NO.  
05-5069-1000

**THE CITY OF WINNIPEG**  
PUBLIC WORKS DEPARTMENT

Winnipeg

**MARYLAND TWIN BRIDGES REHABILITATION PROJECT**  
EAST BRIDGE REHABILITATION

CITY DRAWING NUMBER  
B108-06-26  
SHEET 26 OF 38

CUSTOM PEDESTRIAN HANDRAIL AND SIDEWALK FINISHING DETAILS