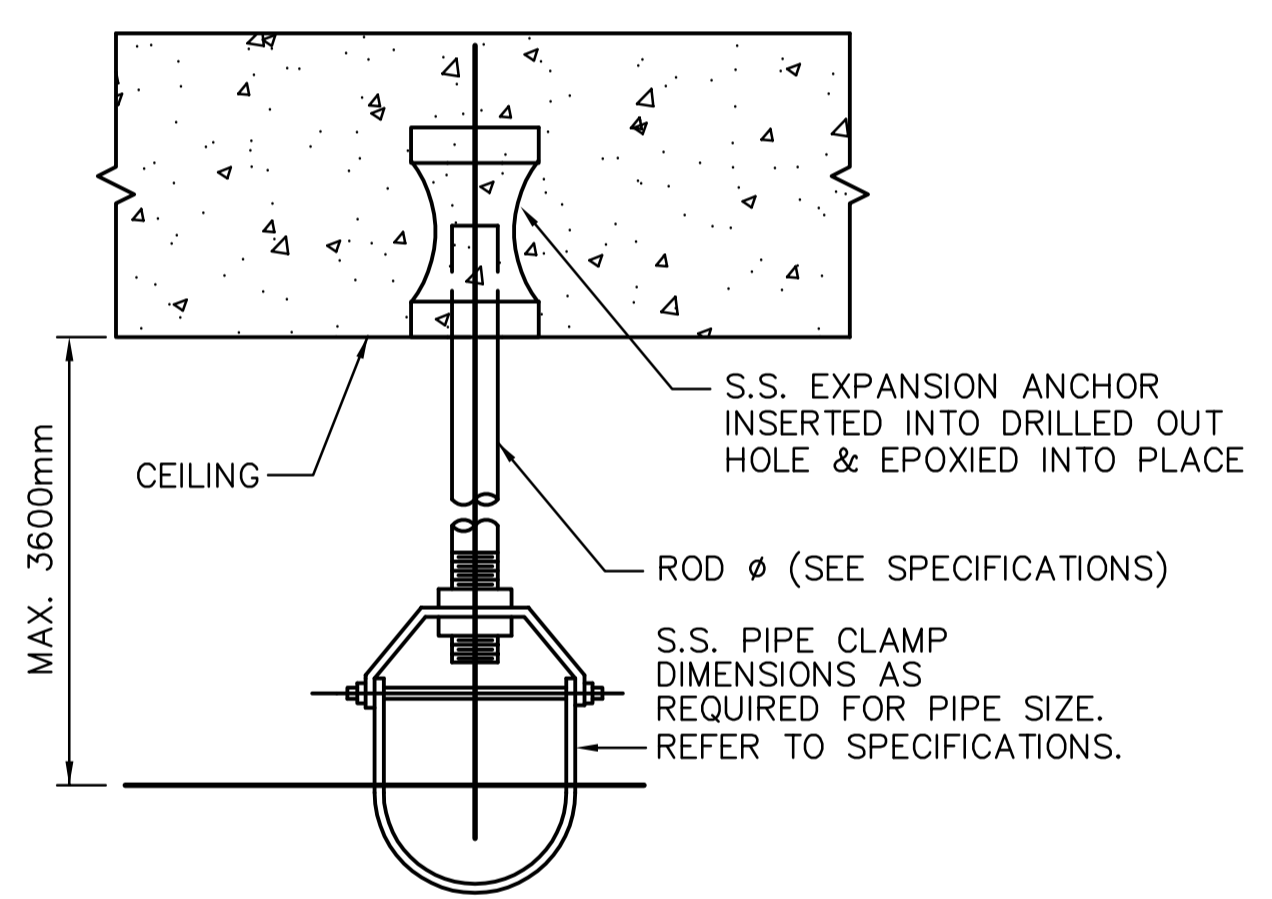
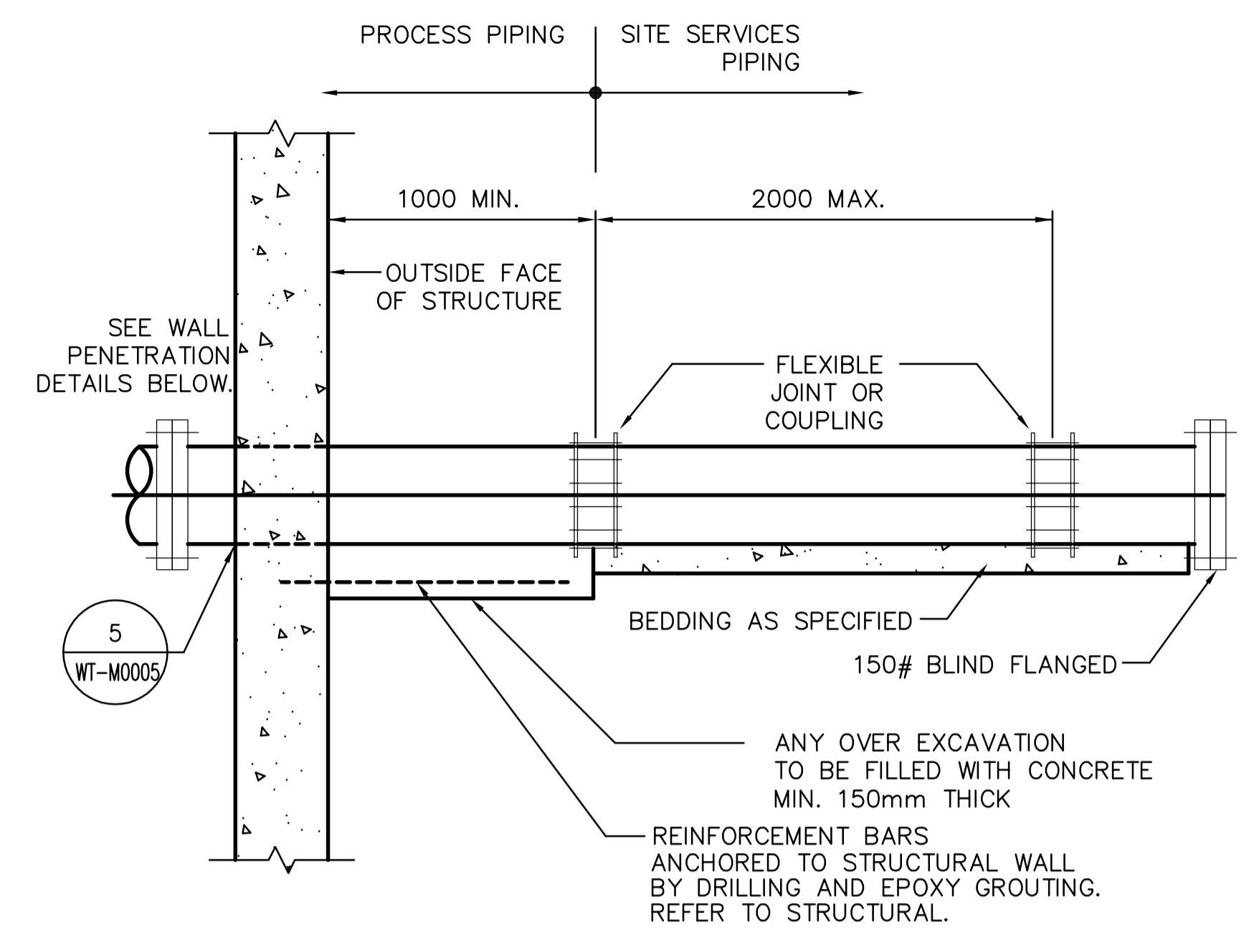
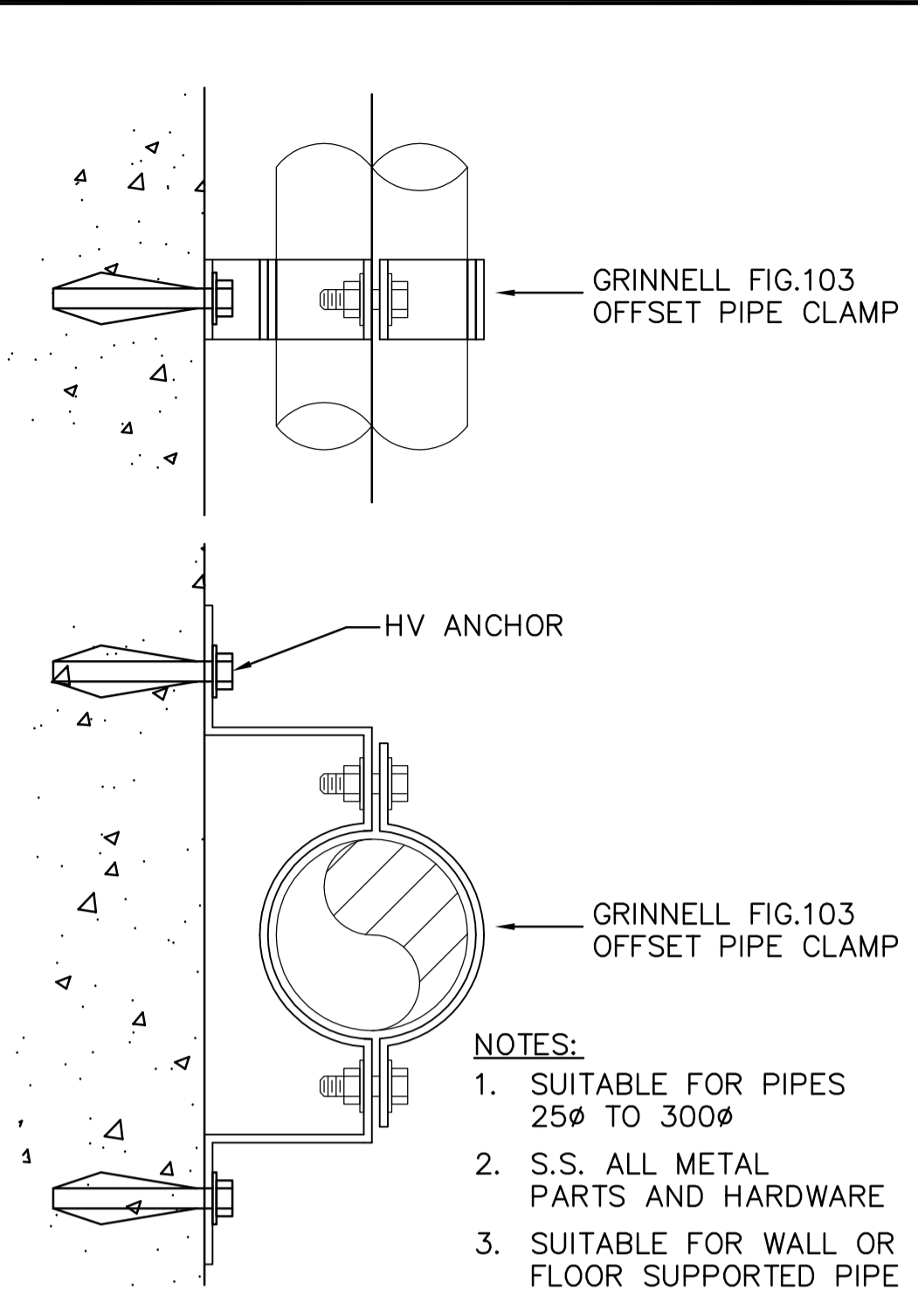
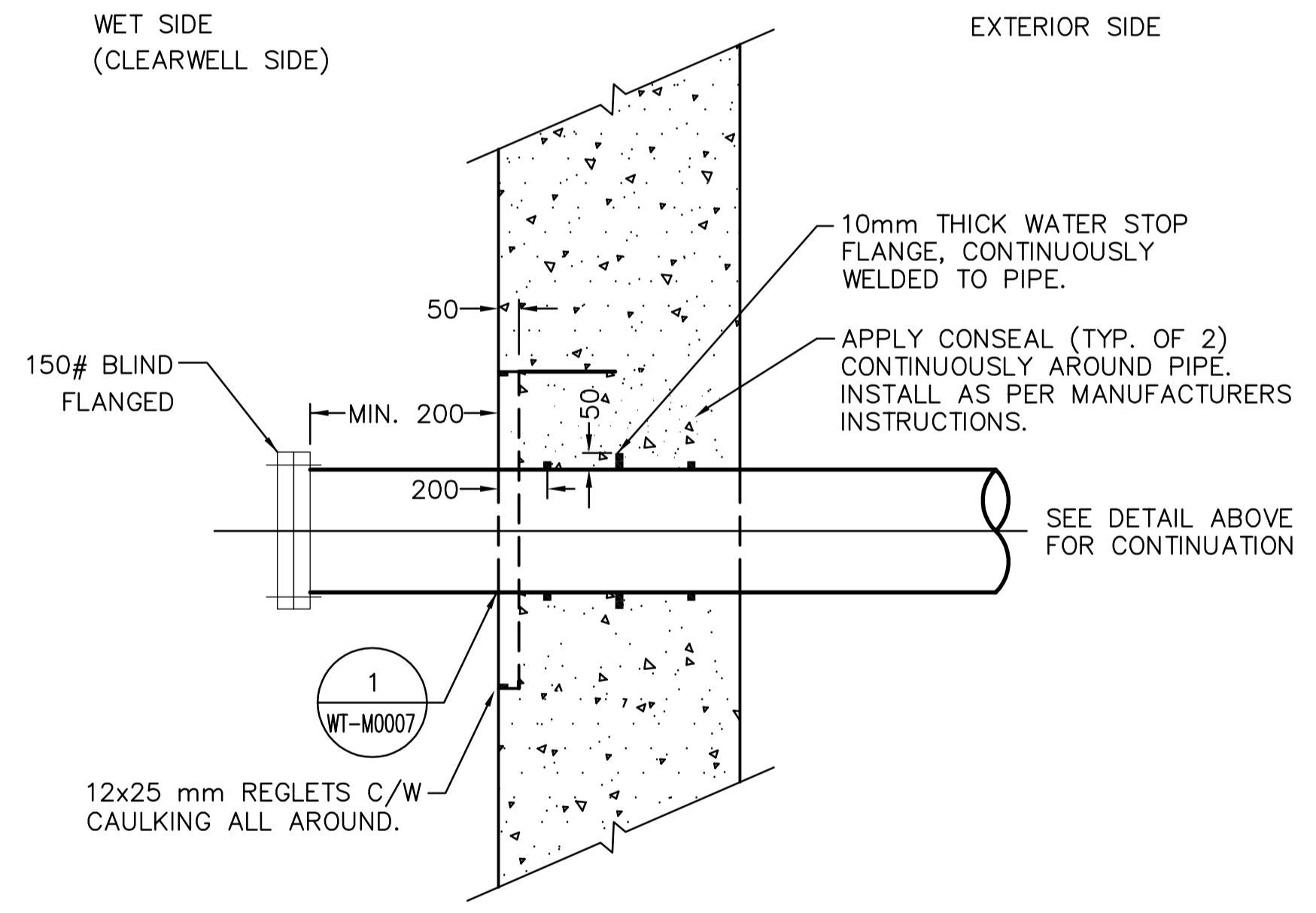


1 SUMP PUMP DETAIL
WT-M0005 N.T.S.



PIPE SIZE (mm)	ROD SIZE (mm)	MAX LOAD (kg)
25	9.4	280
50	9.4	280
75	12.0	510
100	16.0	800
150	20.0	1230
200	22.0	1710
250	25.0	2250
300	25.0	2250
350	25.0	2250
400	25.0	2250
450	25.0	2250
500	32.0	3630
600	32.0	3630

SAFETY FACTOR = 5
GRINNELL OR SIMILAR



- APPLICATION NOTES**
- CONCRETE WALL
 - DUCTILE IRON, SS, PVC, PIPE
 - CONDITION
 - WET TO DRY
 - WET TO WET
 - INTERIOR TO EXTERIOR
 - NO TRANSVERSE MOVEMENT ALLOWED
 - LIQUID SIDE MUST PASS LEAKAGE TEST TO WHICH STRUCTURE IS SUBJECTED.
 - SAME DETAIL FOR VERTICAL OR HORIZONTAL WALL.

5 WALL PENETRATION DETAIL
WT-M0005 N.T.S.

<p>Certificate of Authorization Earth Tech Canada Inc. No. 730 Expiry: April 30, 2007</p>	B.M. ELEV.	<p>Frederickson Cooper ARCHITECTS</p>	<p>A Type International Ltd. Company</p>	ENGINEER'S SEAL	<p>THE CITY OF WINNIPEG WATER AND WASTE DEPARTMENT ENGINEERING DIVISION</p>		
				DESIGNED BY DC		CHECKED BY AB	ORIGINAL SIGNED BY A. BURACHYNSKY
				DRAWN BY DC		APPROVED BY AHL	2006/08/30
				SCALE: AS SHOWN		RELEASED FOR CONSTRUCTION BY: R. SOROKOWSKI	CONSULTANT DRAWING NO. WT-M0005
	01 498-2006 ADDENDUM 7 06/10/19 DC	DATE 2005/02/11	DATE 2006/08/30		CITY FILE NUMBER		
	00 ISSUED FOR TENDER 06/08/28 DC				SHEET OF		
	NO. REVISIONS	DATE	DATE		CITY DRAWING NUMBER		
					1-06011-A-M0005-001-010		

MECHANICAL DETAILS AND SCHEMATICS