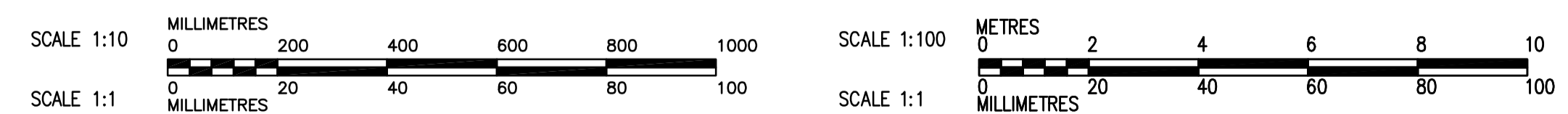
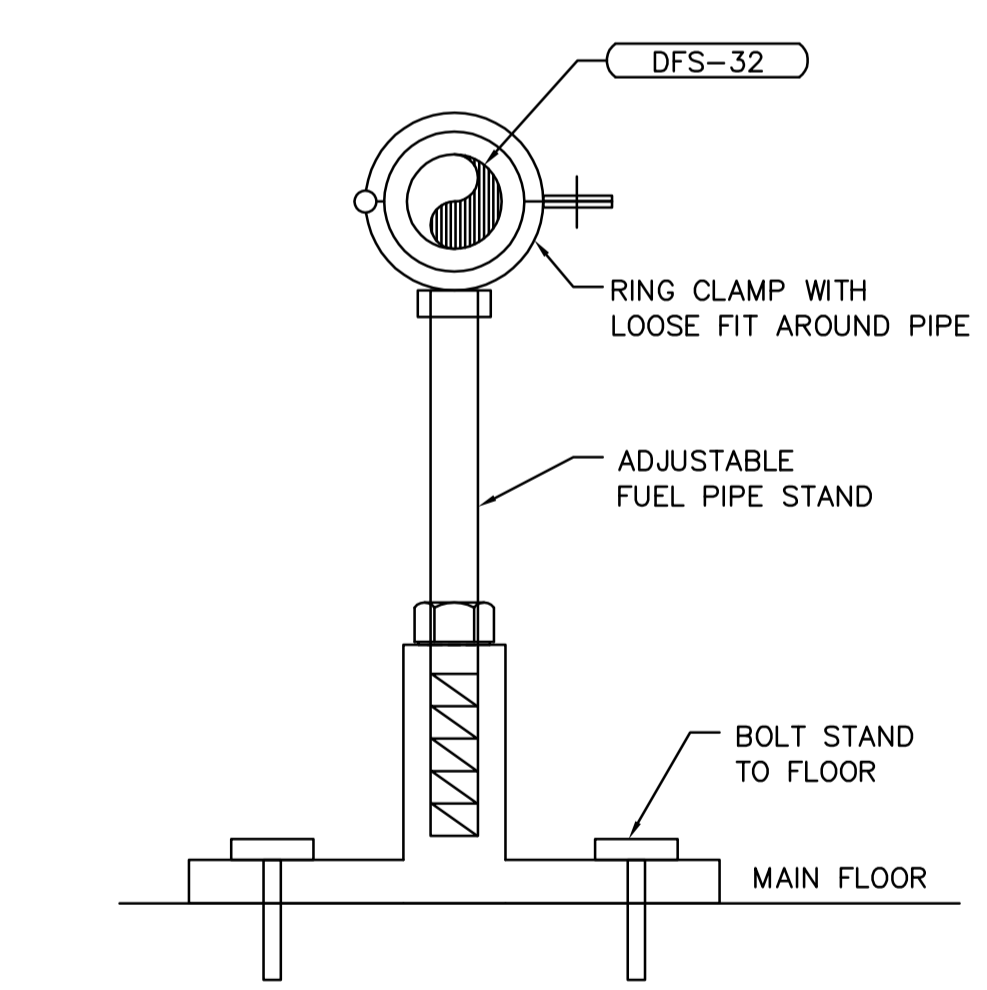
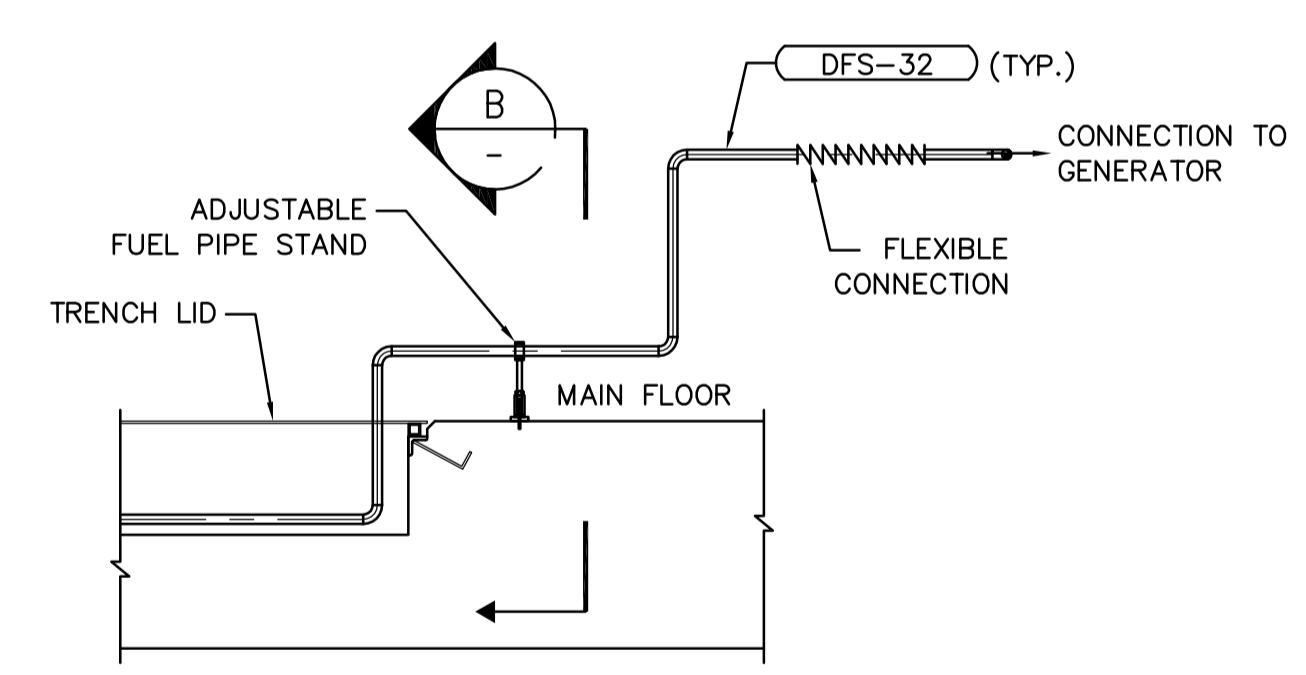
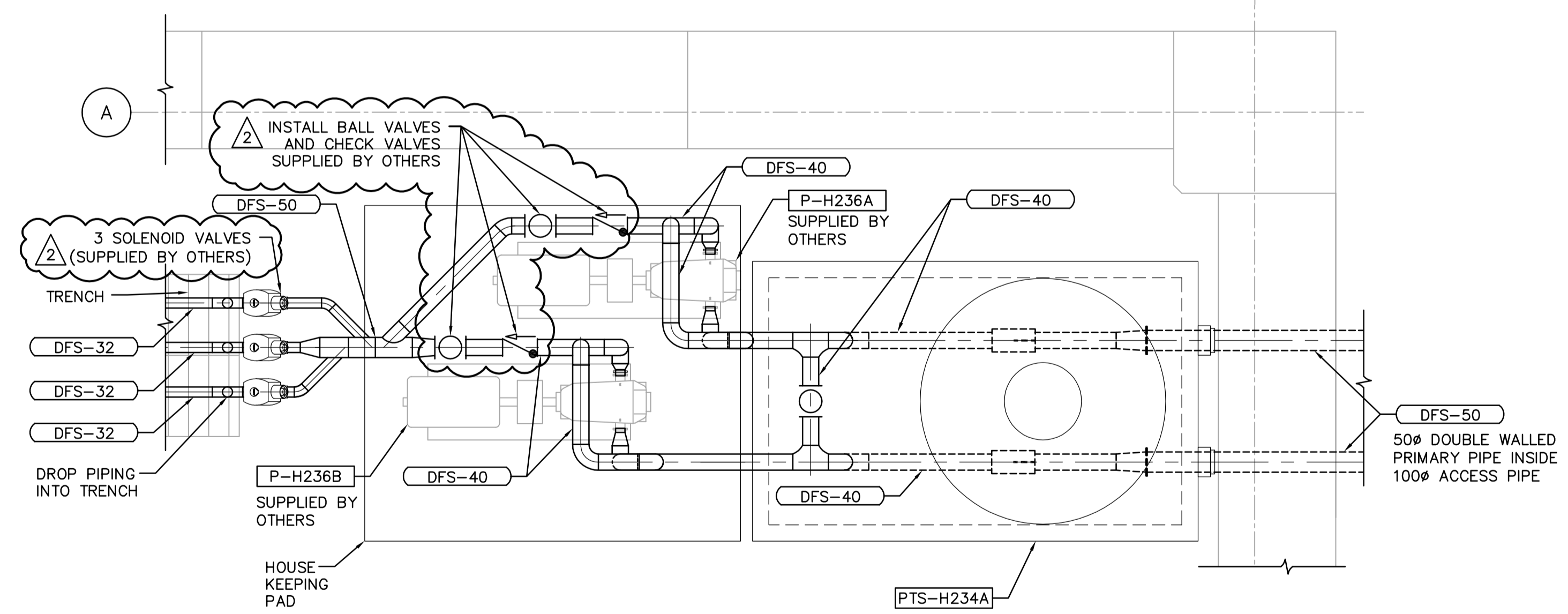


NOTES:
 1. FOR EACH PUMP INSTALL ADDITION BALL VALVE AND STRAINER (SUPPLIED BY OTHERS) ON SUCTION SIDE OF PUMPS. NOT SHOWN ON DRAWING.
 2. REVIEW GENERATOR AND PUMP PACKAGE SUPPLIED BY OTHERS. AVAILABLE ON E-ROOM.



APEGM
 Certificate of Authorization
 Earth Tech Canada Inc.
 No. 730 Expiry: April 30, 2007

CH2M HILL Frederickson Cooper ARCHITECTS		EarthTech A Tyco International Ltd. Company		ENGINEER'S SEAL ORIGINAL SIGNED BY A. BURACHYNSKY 2006/08/30		THE CITY OF WINNIPEG WATER AND WASTE DEPARTMENT ENGINEERING DIVISION	
DESIGNED BY	AB	CHECKED BY	AMA, PVL	CONSULTANT DRAWING NO.		CITY FILE NUMBER	
DRAWN BY	DJP	APPROVED BY	AHL	WG-H0110		SHEET OF	
SCALE:	AS NOTED	RELEASED FOR CONSTRUCTION BY:		CITY DRAWING NUMBER		1-0601G-A-H0110-001-020	
NO. REVISIONS	DATE	BY	DATE	2006/06/15	2006/08/30	MECHANICAL PIPING PLAN MAIN LEVEL PLAN	