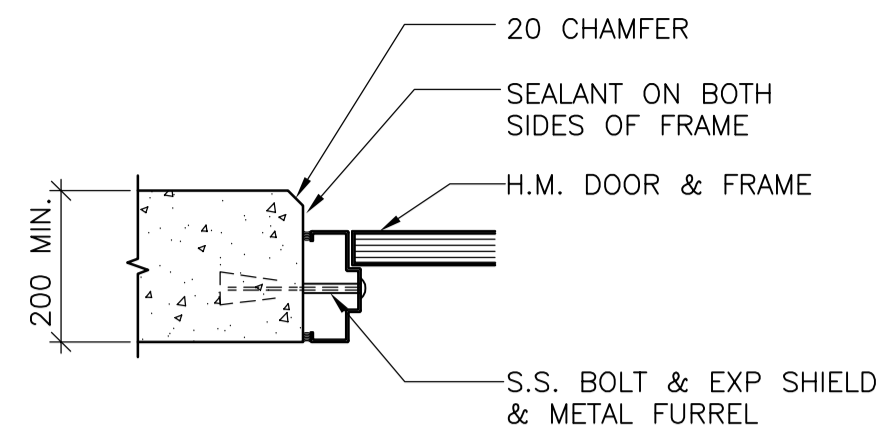
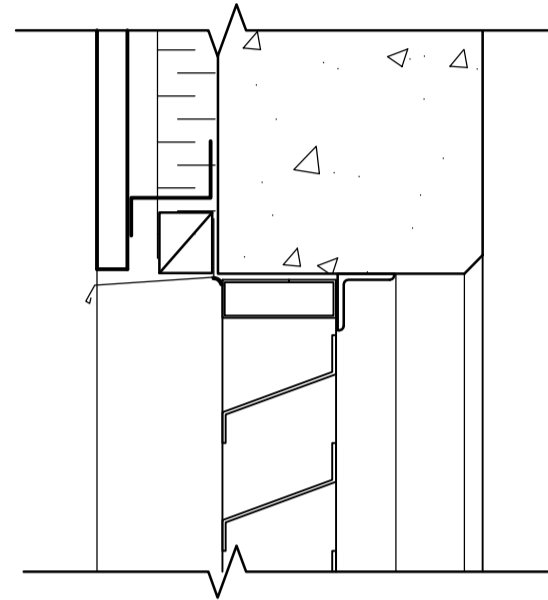


ROOM FINISH SCHEDULE

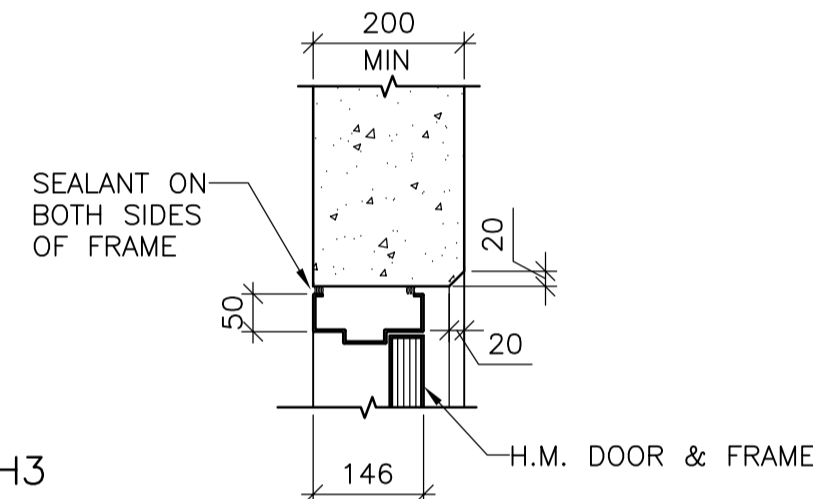
ROOM NO.	ROOM NAME	FLOOR			WALLS								CEILING			REMARKS
		MAT.	FINISH	BASE	NORTH		SOUTH		EAST		WEST		MAT.	FINISH	HGT.	
					MAT.	FINISH	MAT.	FINISH	MAT.	FINISH	MAT.	FINISH				
INLET BUILDING																
101	INLET ROOM	CONC	SEALED	-	CONC	CONC*	CONC	CONC*	CONC	CONC	CONC	CONC*	CONC	EXP	5600	INSUL GALVALUME PANELS AT ALL AIR SHAFT WALLS ONLY
EMERGENCY EGRESS																
301	PLENUM	CONC	SEALED	-	CONC		CONC		CONC		CONC		CONC	EXP	5600	
302	PLENUM	CONC	SEALED	-	CONC		CONC		CONC		CONC		CONC	EXP	5600	
303	PLENUM	CONC	SEALED	-	CONC		CONC		CONC		CONC		CONC	EXP	5600	
304	PLENUM	CONC	SEALED	-	CONC		CONC		CONC		CONC		CONC	EXP	5600	



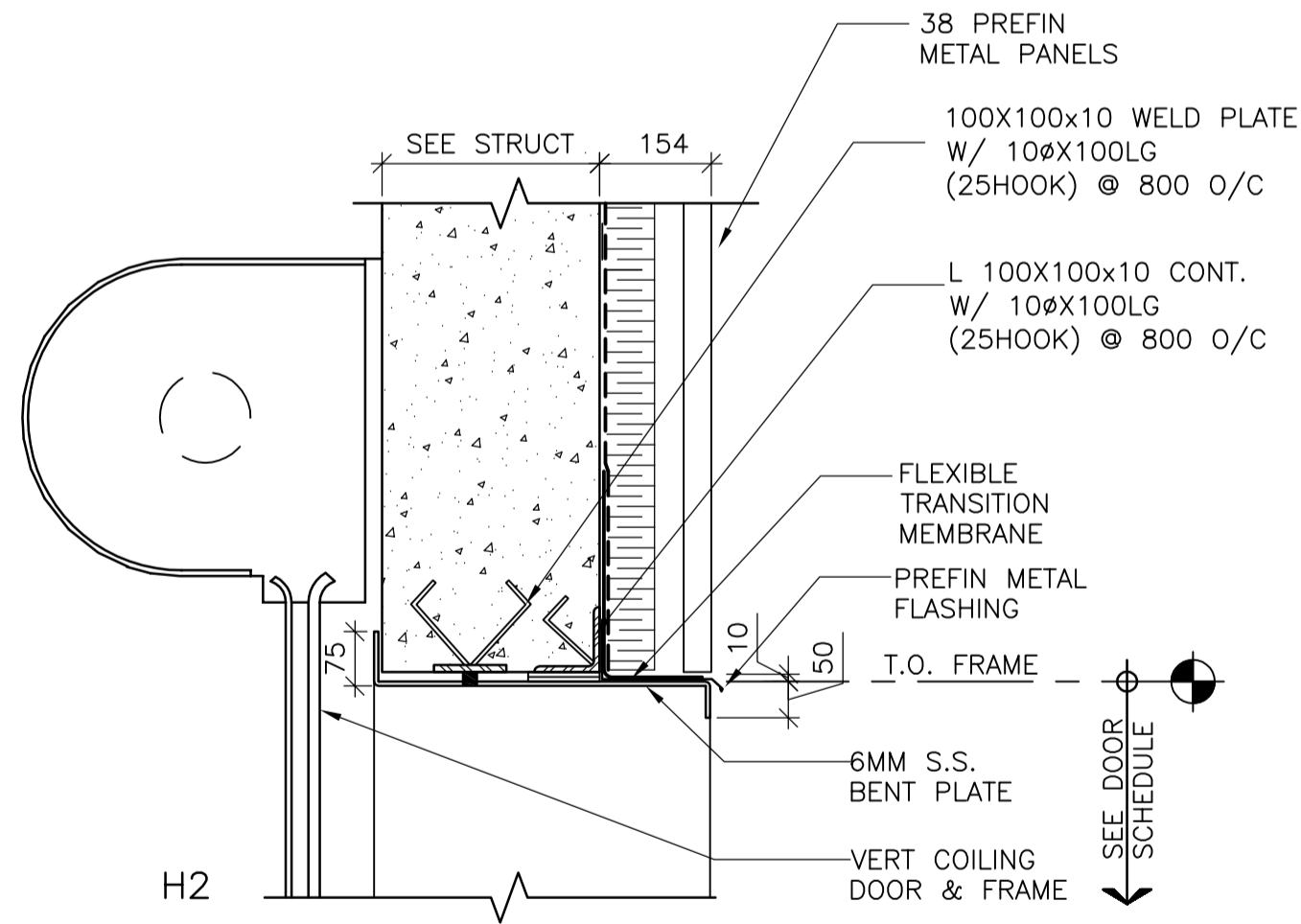
J3



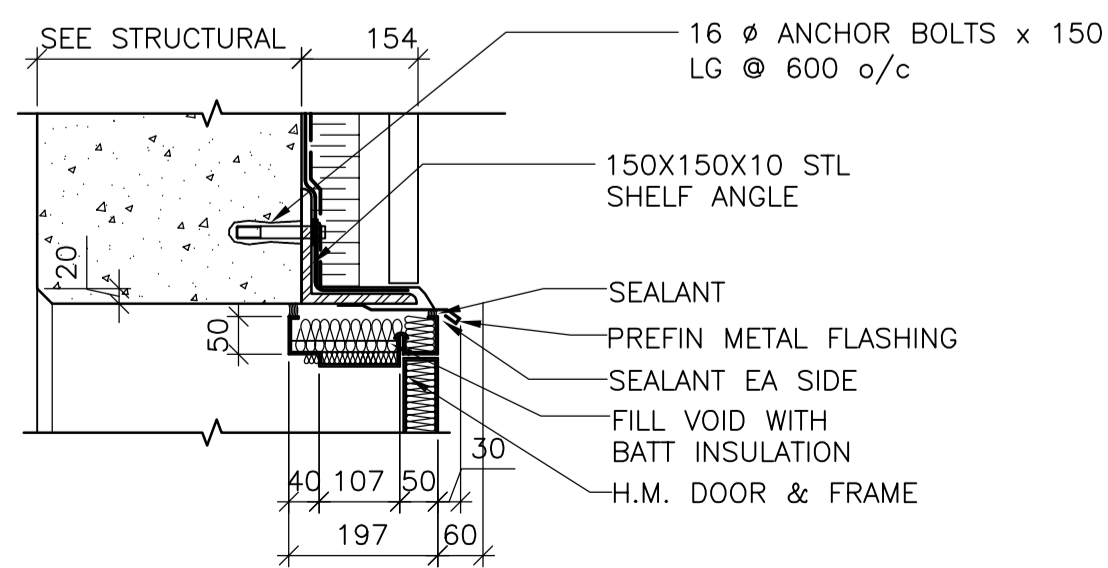
H4



H3

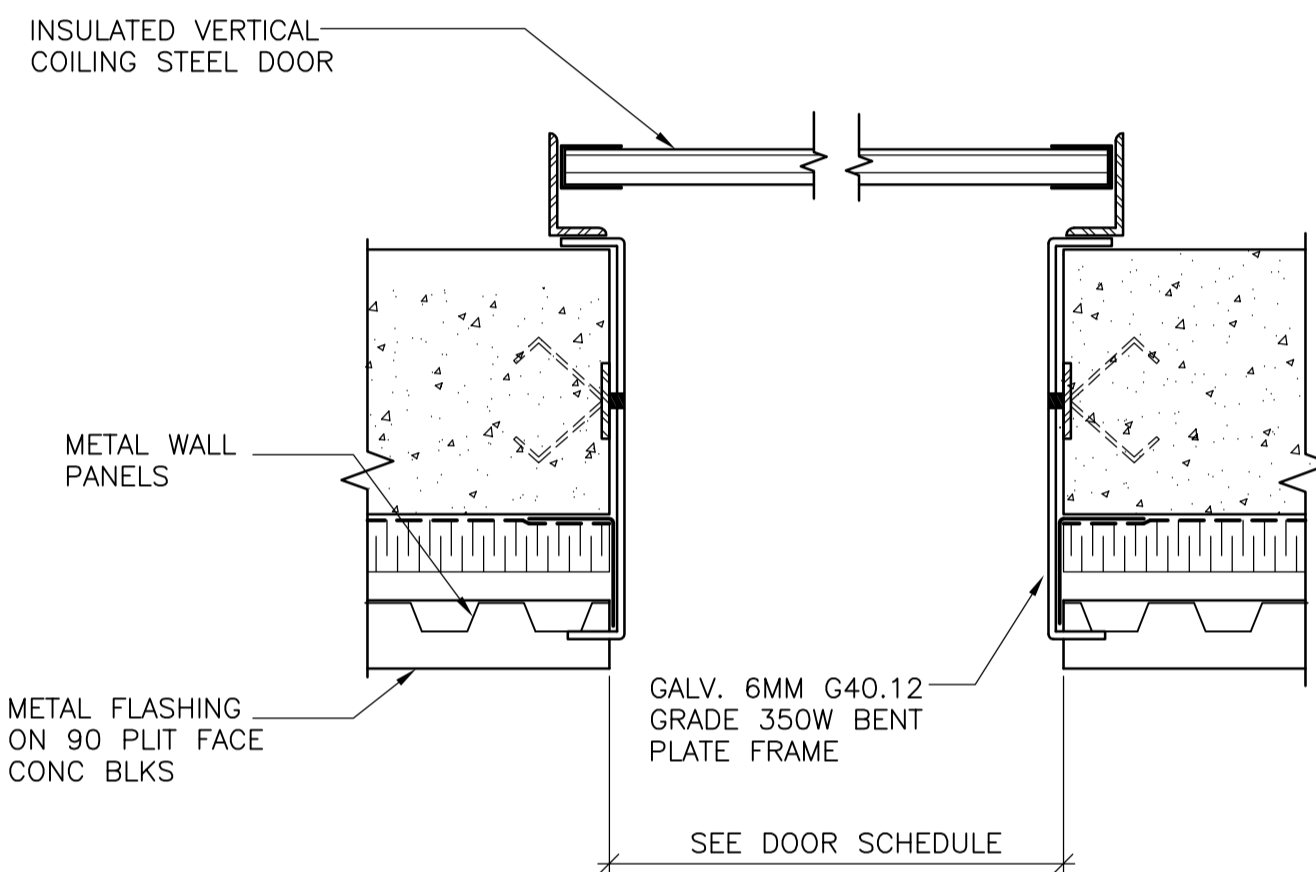


H2

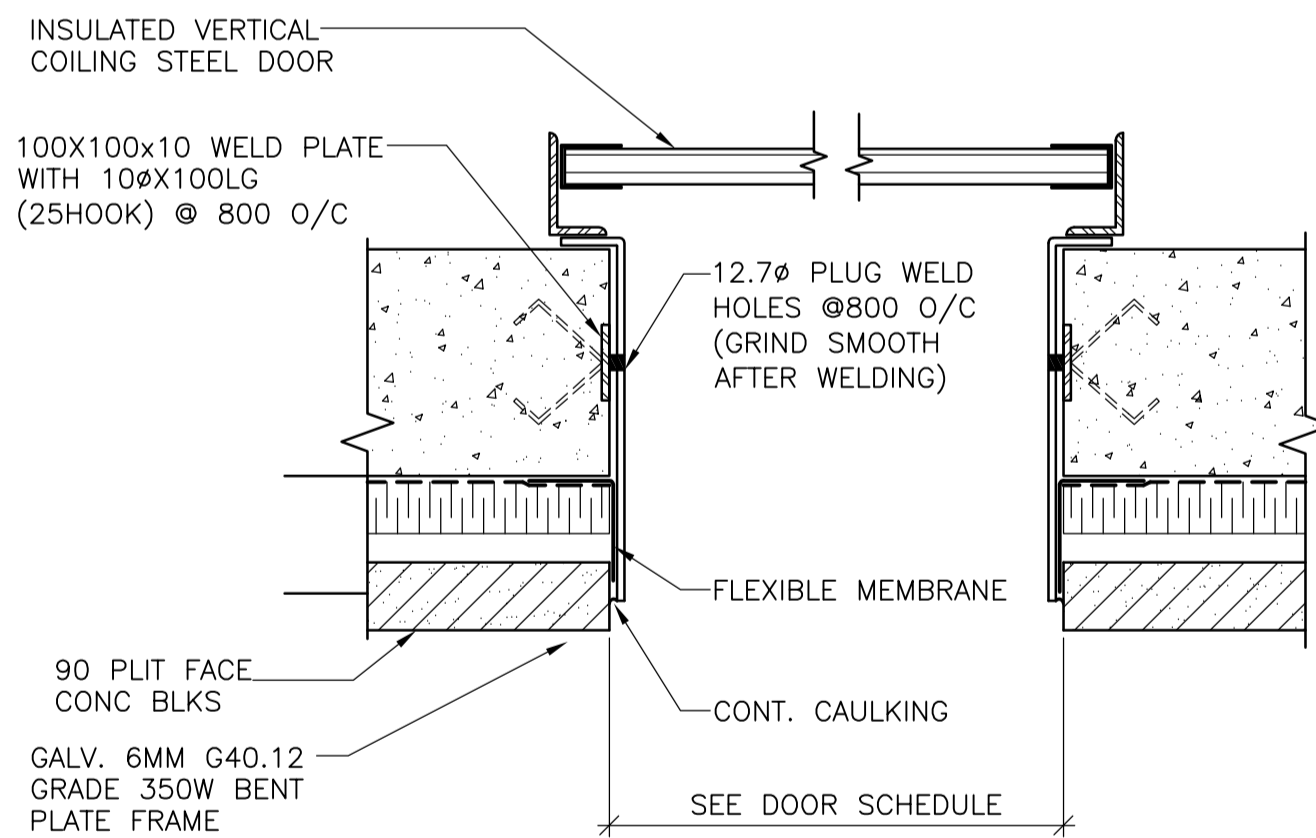


H1

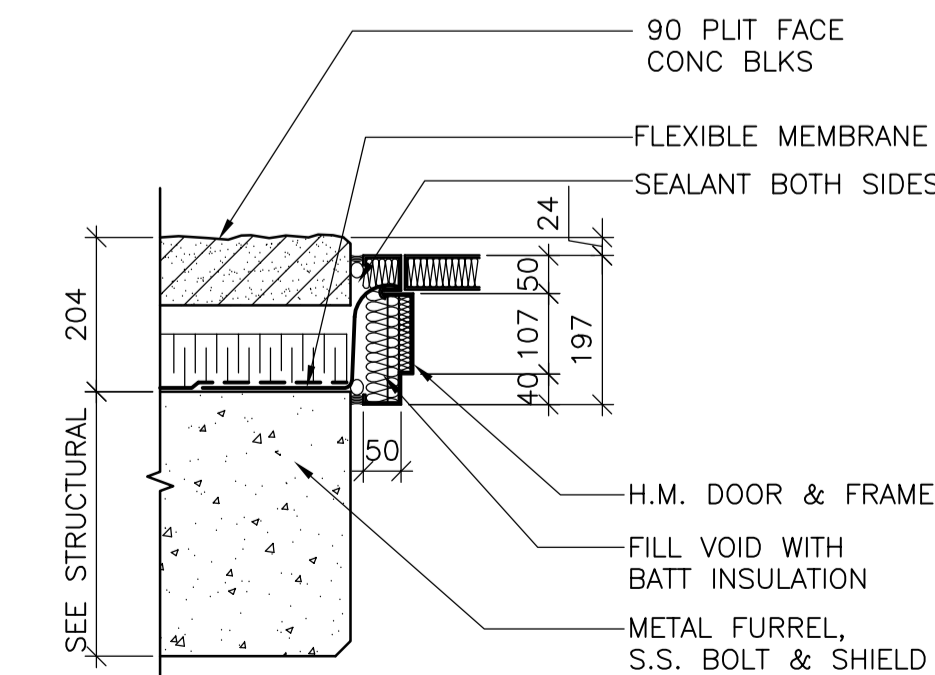
DOOR HEAD TYPES



J2 (SIM)



J2

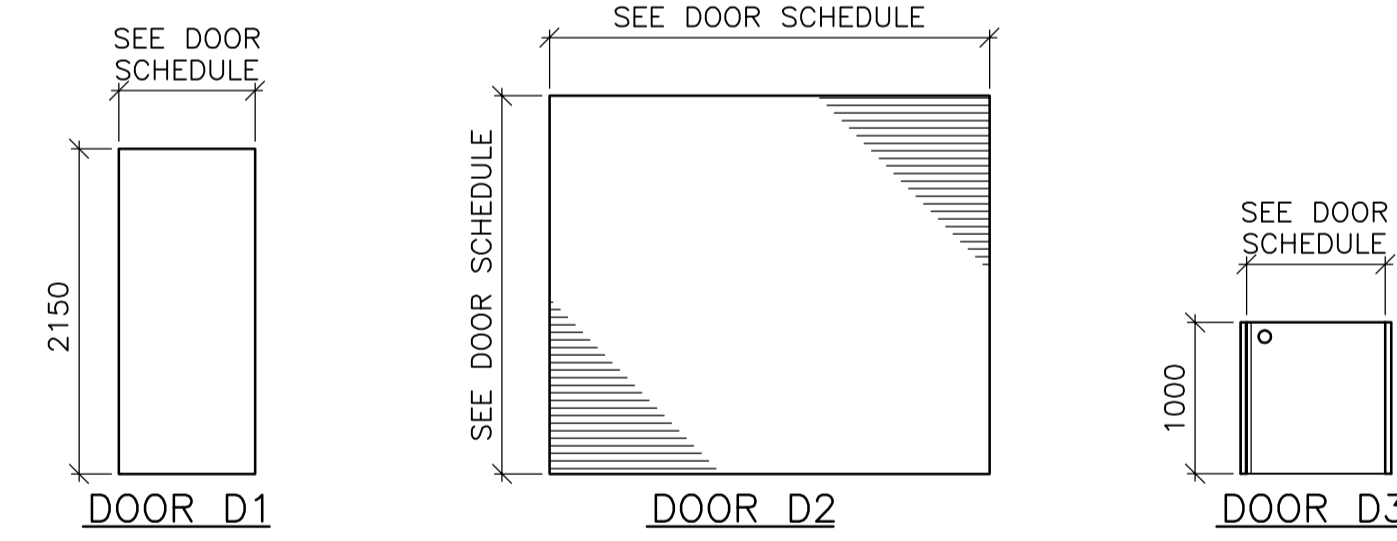


J1

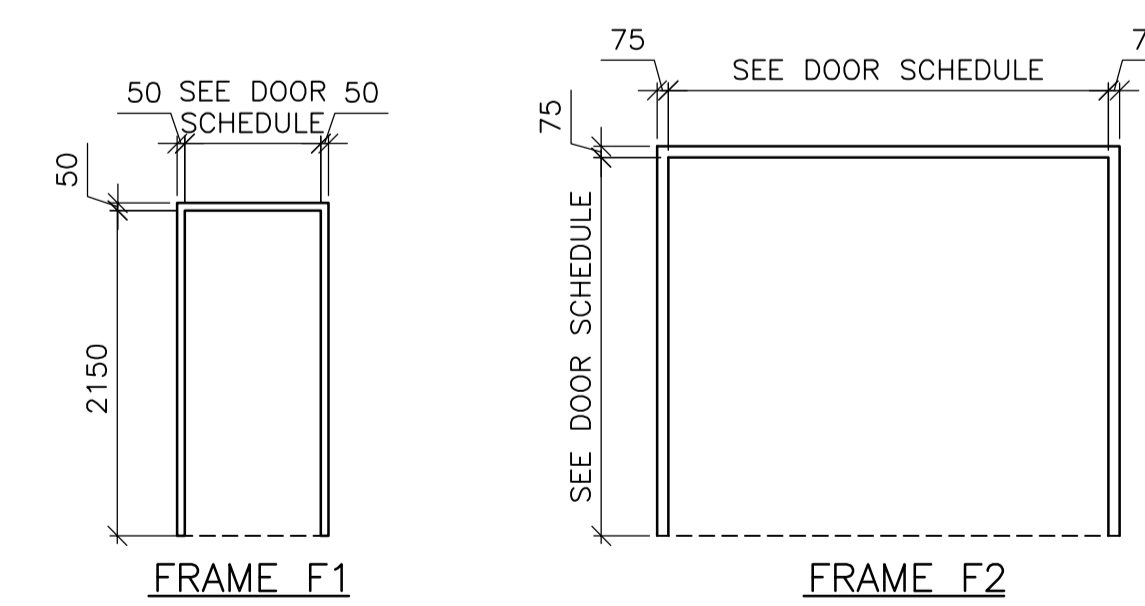
DOOR JAMB TYPES

DOOR SCHEDULE

DOOR NUMBER	DOOR TYPE	WIDTH	HEIGHT	THICKNESS	MATERIAL	FINISH	REINFORCEMENT	LOUVER	GLASS	FRAME TYPE	DETAIL		MATERIAL	FINISH	FIRE RATING	HARDWARE GROUP	REMARKS
											HEAD	JAMB					
INLET BUILDING																	
101	D1	900	2150	45	H.M.	PT	VS		-	F1	H1	J1	H.M.	PT	-	1	THERMALLY BROKEN FRAME
102	D2	2900	3275	45	H.M.	PT	VS		-	F2	H2	J2	H.M.	PT	-	-	INSUL COILING DOOR, ELECTRICALLY OPERATED
103	D1	900	2150	45	H.M.	PT	VS		-	F1	H3	J3	STL	PT	-	2	THERMALLY BROKEN FRAME
104	D1	900	2150	45	H.M.	PT	VS		-	F1	H3	J3	STL	PT	-	2	THERMALLY BROKEN FRAME
105	D1	900	2150	45	H.M.	PT	VS		-	F1	H1	J1	H.M.	PT	-	1	THERMALLY BROKEN FRAME
INLET BUILDING																	
106	D3	1000	1000	45	H.M.	ALUM	-		-	-	-	-	-	ALUM	-	3	



DOOR ELEVATIONS



FRAME ELEVATIONS

- GROUP 1 D101, D105
 - 3 BUTT HINGES
 - 1 LOCKSET
 - 1 WEATHERSTRIP
 - 1 DOOR SWEEP
 - 1 THRESHOLD
 - 1 CLOSER
- GROUP 2 D103, D104
 - 3 BUTT HINGES
 - 1 LOCKSET
 - 1 WALL STOP
 - 1 WEATHERSTRIP
 - 1 DOOR SWEEP
 - 1 THRESHOLD
- GROUP 3
 - 1 LOCKSET

B.M. ELEV.	CH2M HILL Frederickson Cooper ARCHITECTS	EarthTech A Tyco International Ltd. Company	ENGINEER'S SEAL ORIGINAL SIGNED BY N. COOPER 06/08/30	THE CITY OF WINNIPEG WATER AND WASTE DEPARTMENT Winnipeg ENGINEERING DIVISION
DESIGNED BY: BS	CHECKED BY: MK	DRAWN BY: GGP/WC	APPROVED BY: AHL	WATER TREATMENT PLANT TREATED WATER STORAGE INLET BUILDING
SCALE: 01 498-2006 ADDENDUM 6 06/10/13 LAE 00 ISSUED FOR TENDER 06/08/28 WDB	RELEASED FOR CONSTRUCTION BY: R. SOROKOWSKI	CONSULTANT DRAWING NO. WT-B0001	CITY FILE NUMBER SHEET OF	CITY DRAWING NUMBER 1-0601T-D-B0001-001-010