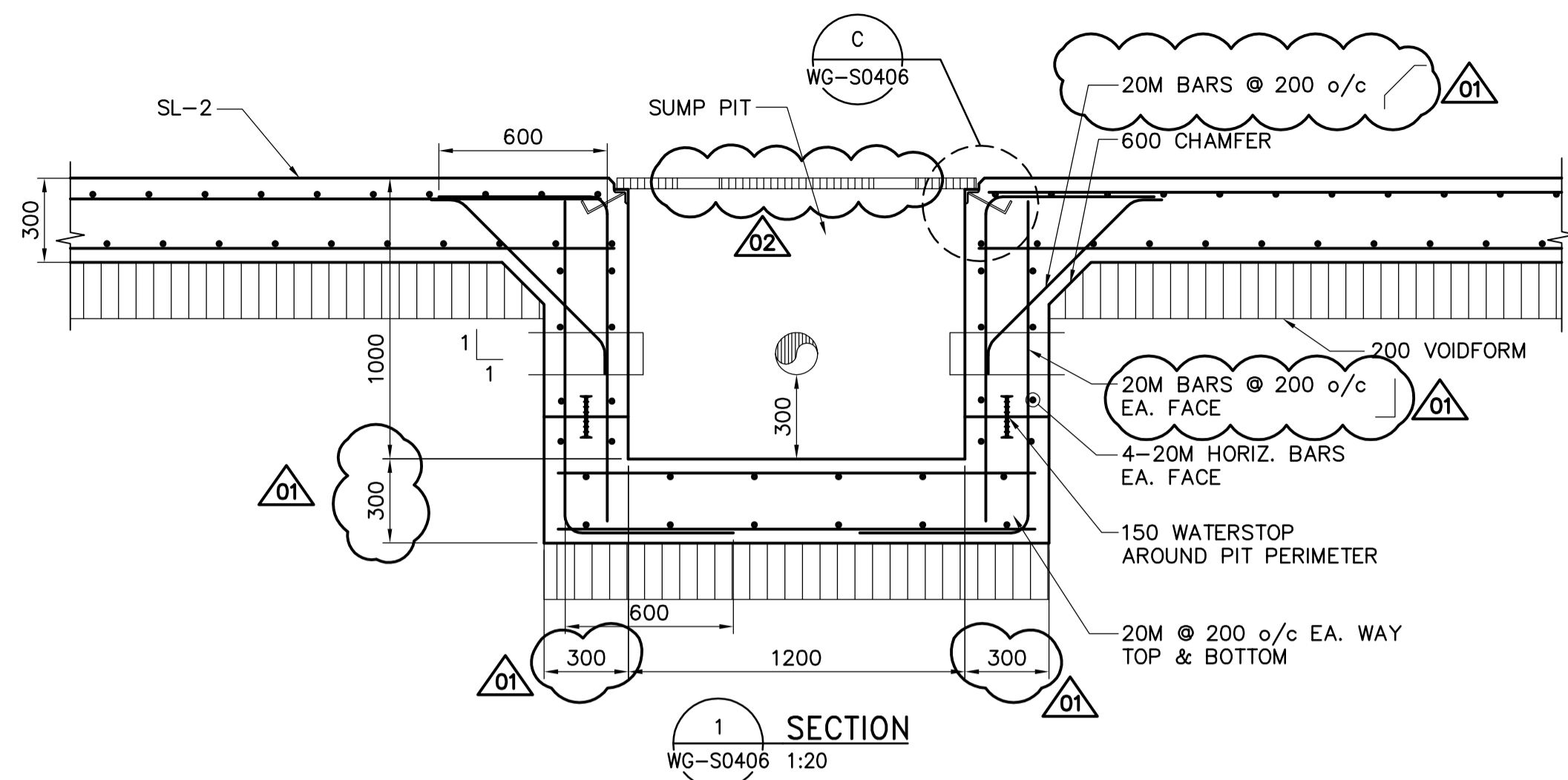
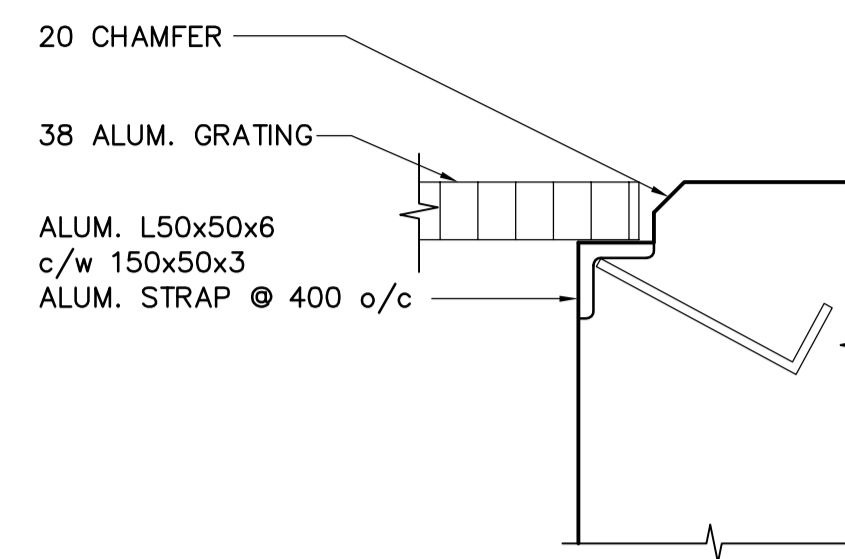


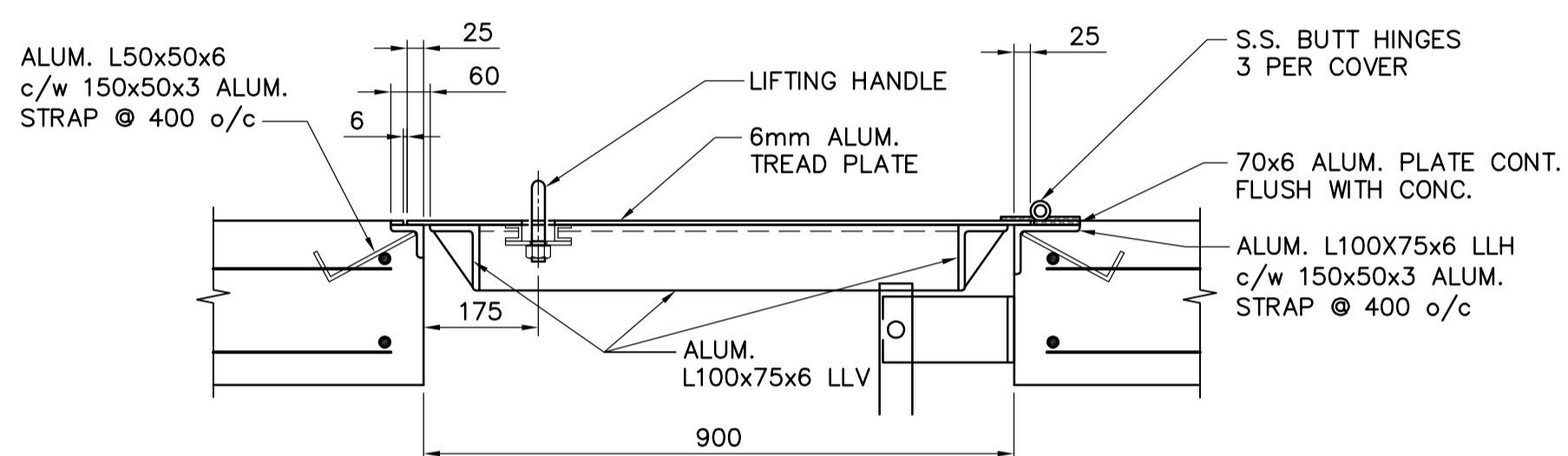
**A PLAN DETAIL**  
WG-S0100 1:10



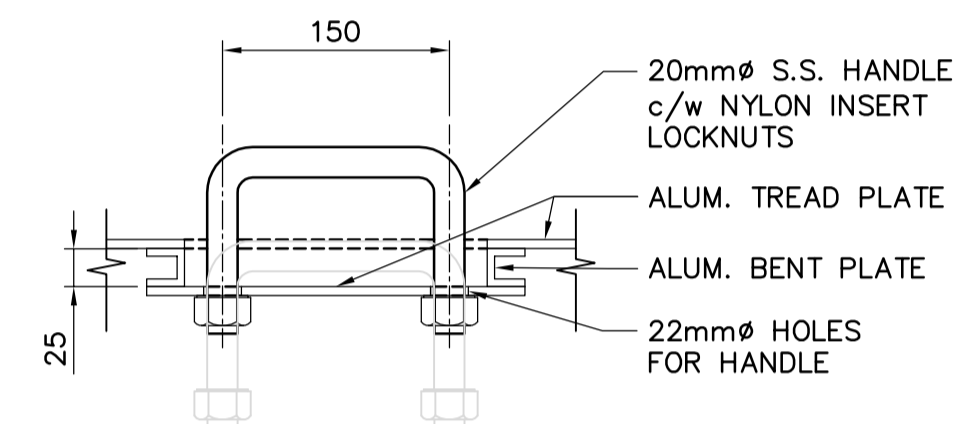
**1 SECTION**  
WG-S0406 1:20



**C DETAIL**  
WG-S0406 1:5

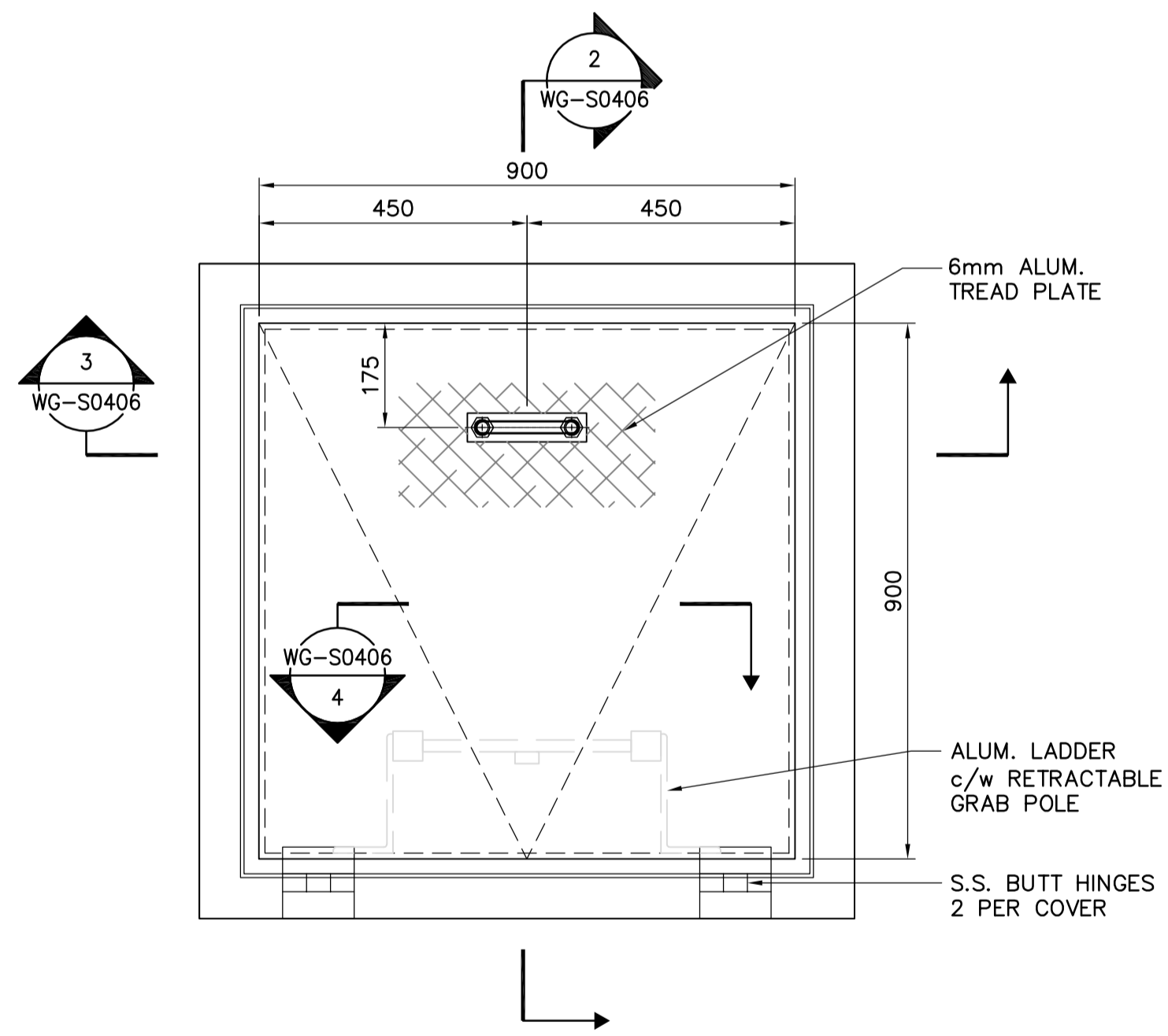


**2 SECTION**  
WG-S0406 1:10

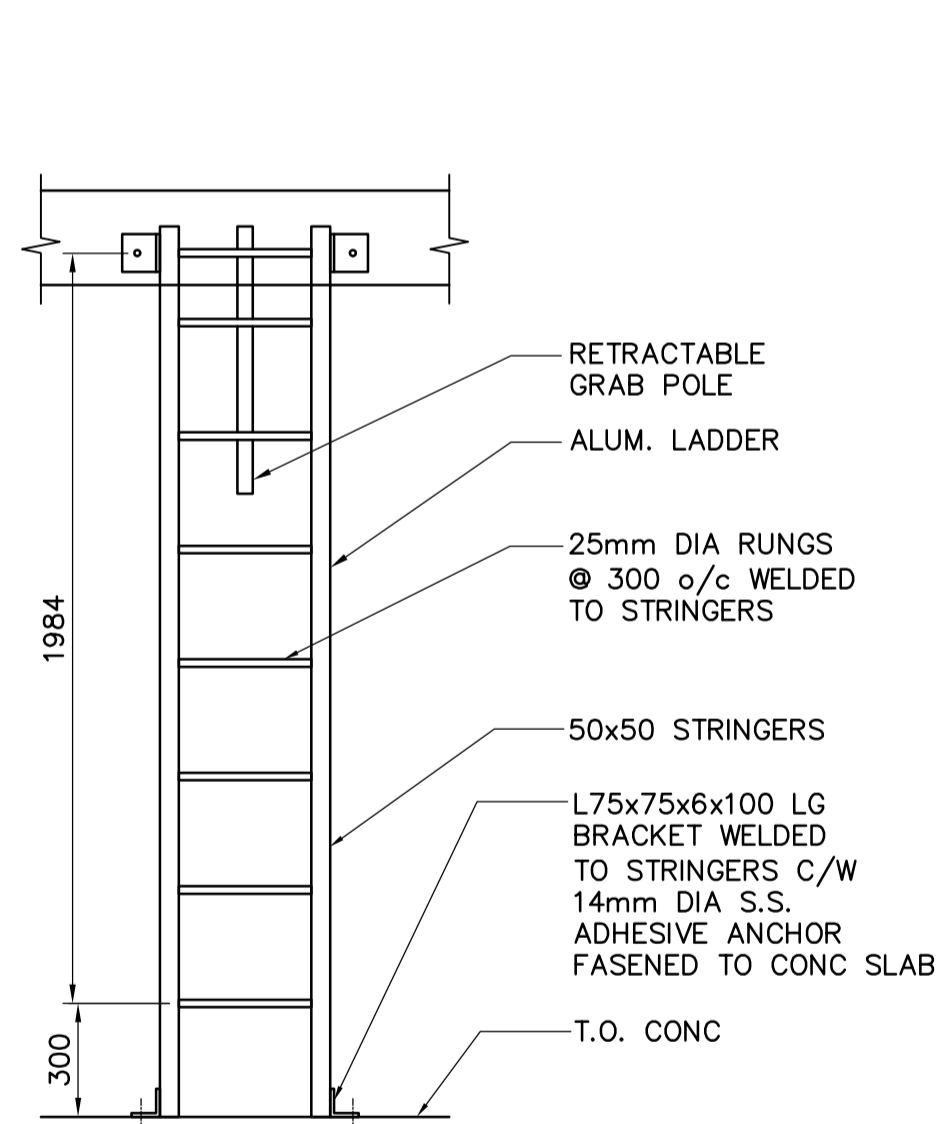


**3 SECTION**  
WG-S0406 1:5

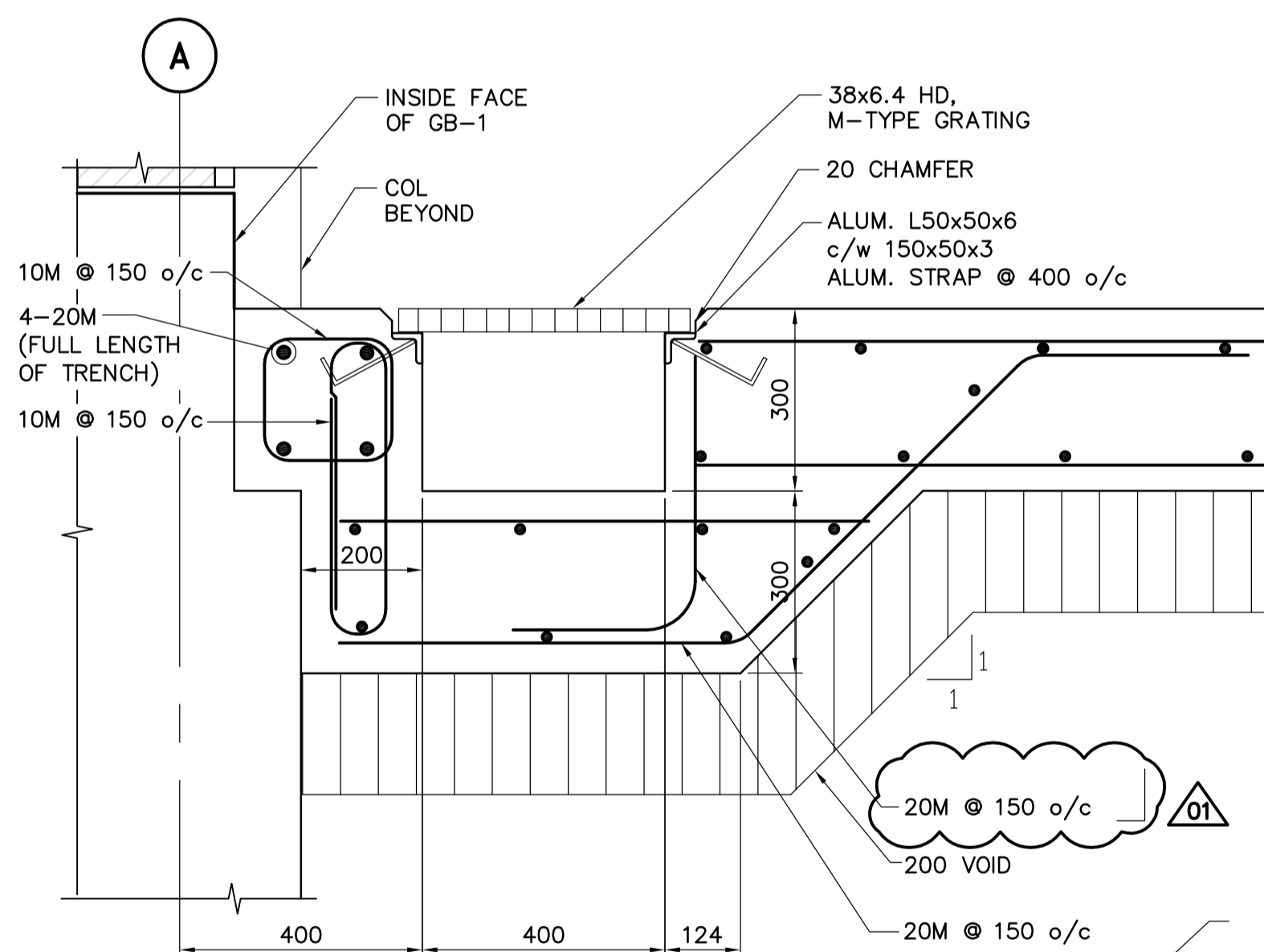
REFER TO STANDARD DETAILS FOR OPENING ADDITIONAL REINFORCING



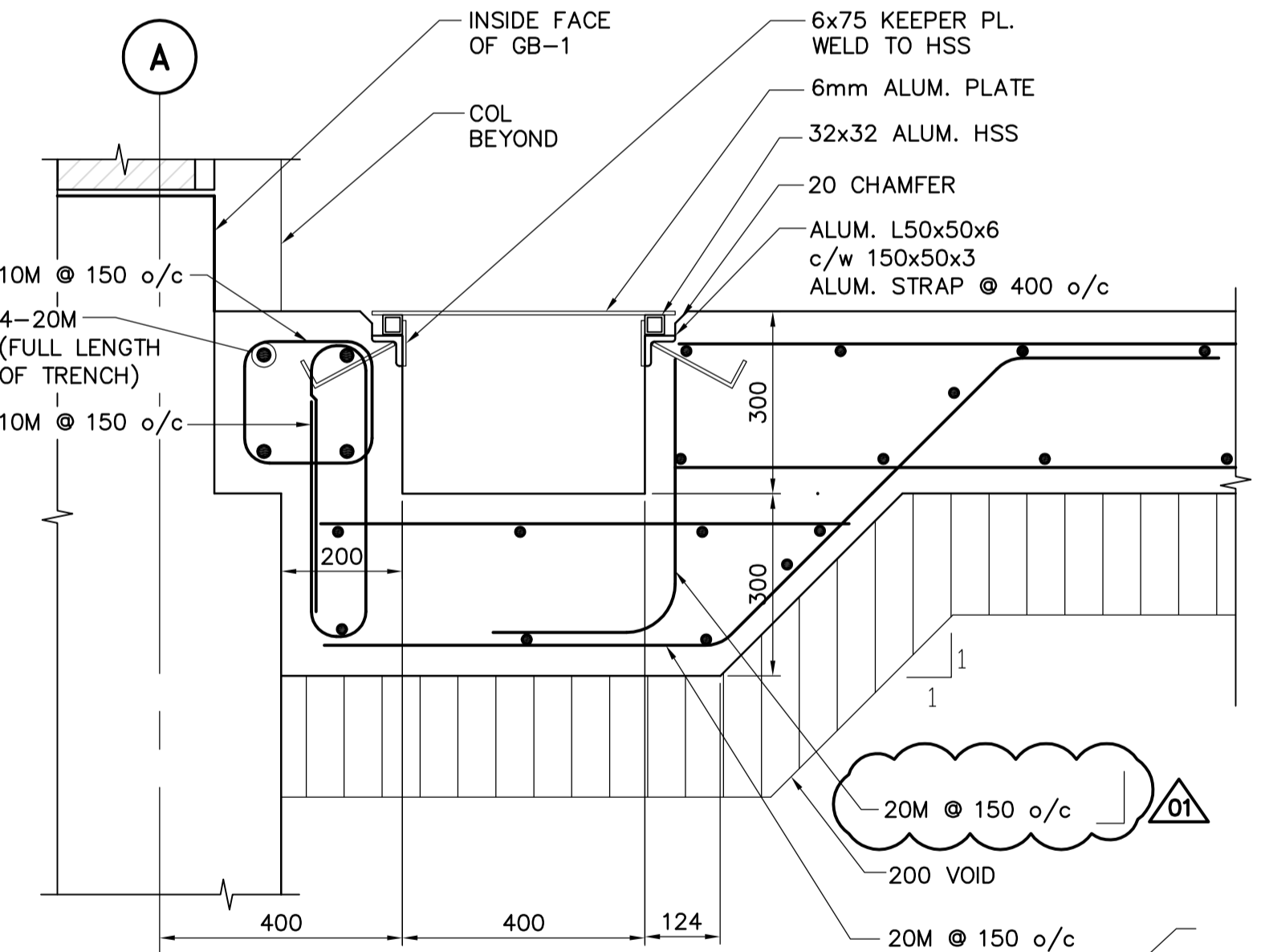
**B PLAN DETAIL**  
WG-S0110 1:10



**4 SECTION**  
WG-S0406 1:20



**5 SECTION**  
WG-S0110 1:10



**6 SECTION**  
WG-S0110 1:10



				ENGINEER'S SEAL ORIGINAL SIGNED BY A. POCHANART 2006/08/30		WATER AND WASTE DEPARTMENT ENGINEERING DIVISION	
DESIGNED BY: AP/GGP CHECKED BY: MK DRAWN BY: KK APPROVED BY: AHL		SCALE: AS SHOWN RELEASED FOR CONSTRUCTION BY: R. SOROKOWSKI		CONSULTANT DRAWING NO. WG-S0406		WATER TREATMENT PLANT STANDBY POWER GENERATOR	
NO. REVISIONS DATE BY		DATE 2006/06/16		DATE 2006/08/30		CITY FILE NUMBER SHEET OF CITY DRAWING NUMBER 1-0601G-A-S0406-001-02D	
02 498-2006 ADDENDUM 4 06/10/10 KK 01 498-2006 ADDENDUM 2 06/09/22 KK 00 ISSUED FOR TENDER 06/08/28 KK						STRUCTURAL SECTIONS & DETAILS	