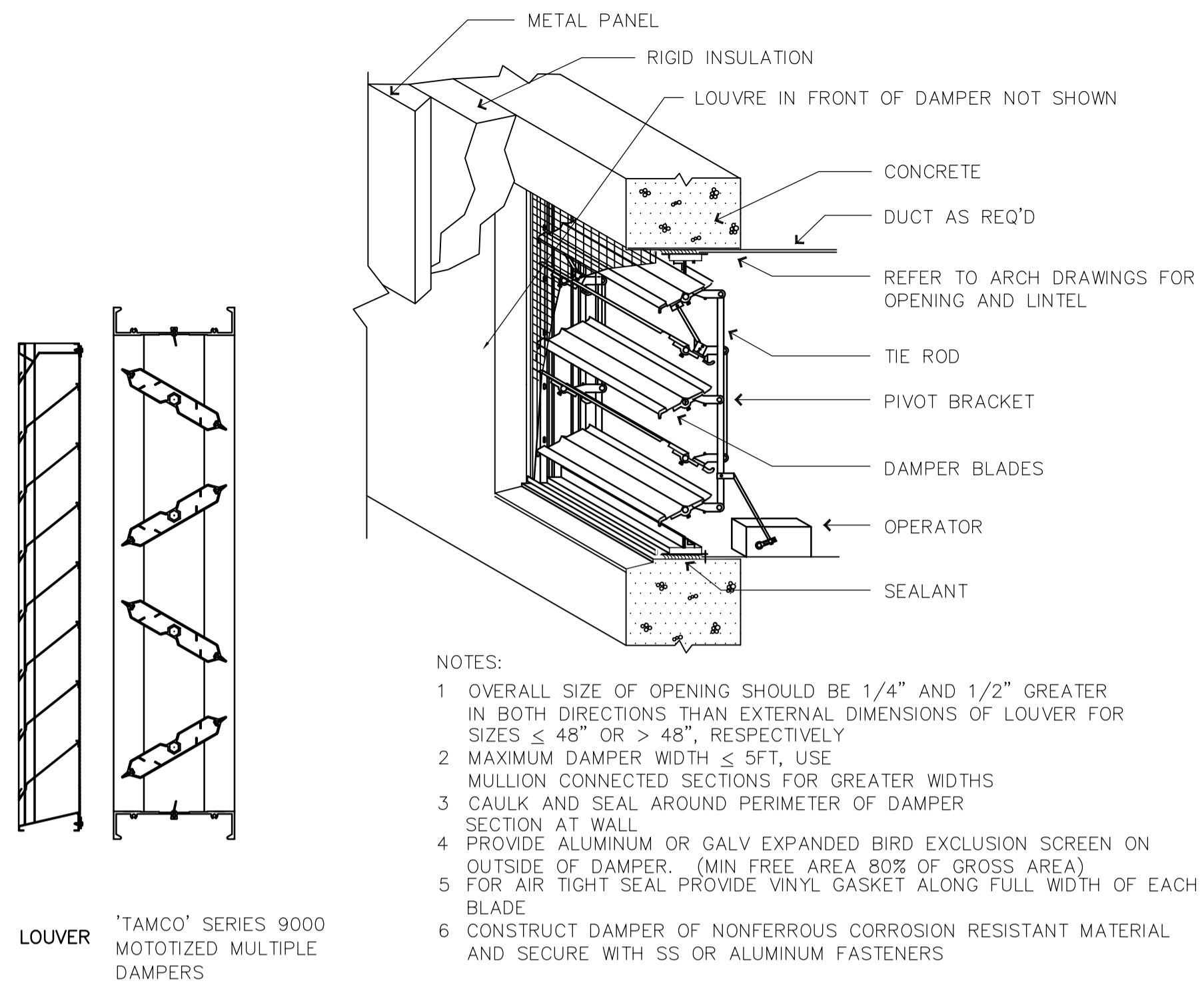
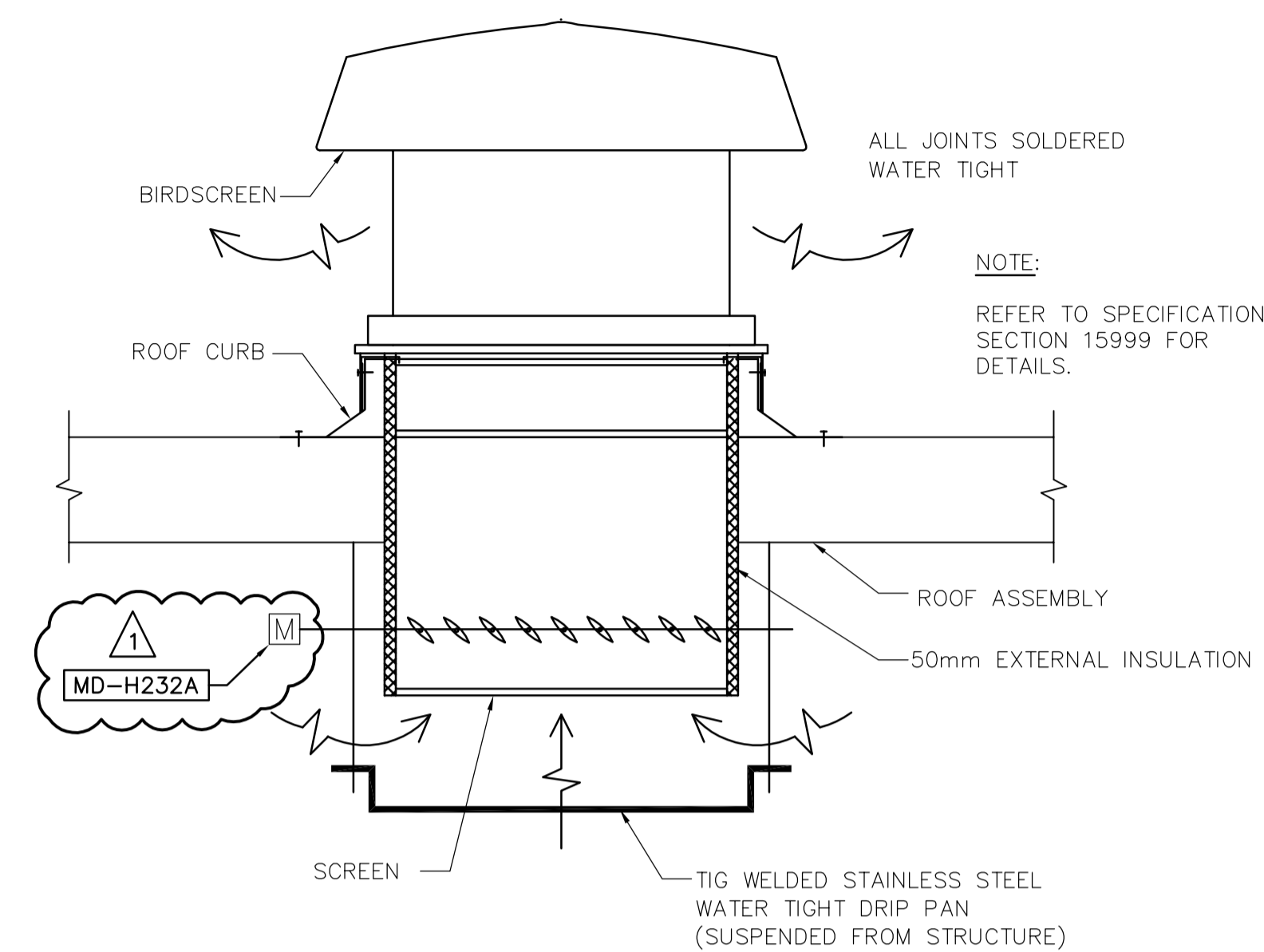


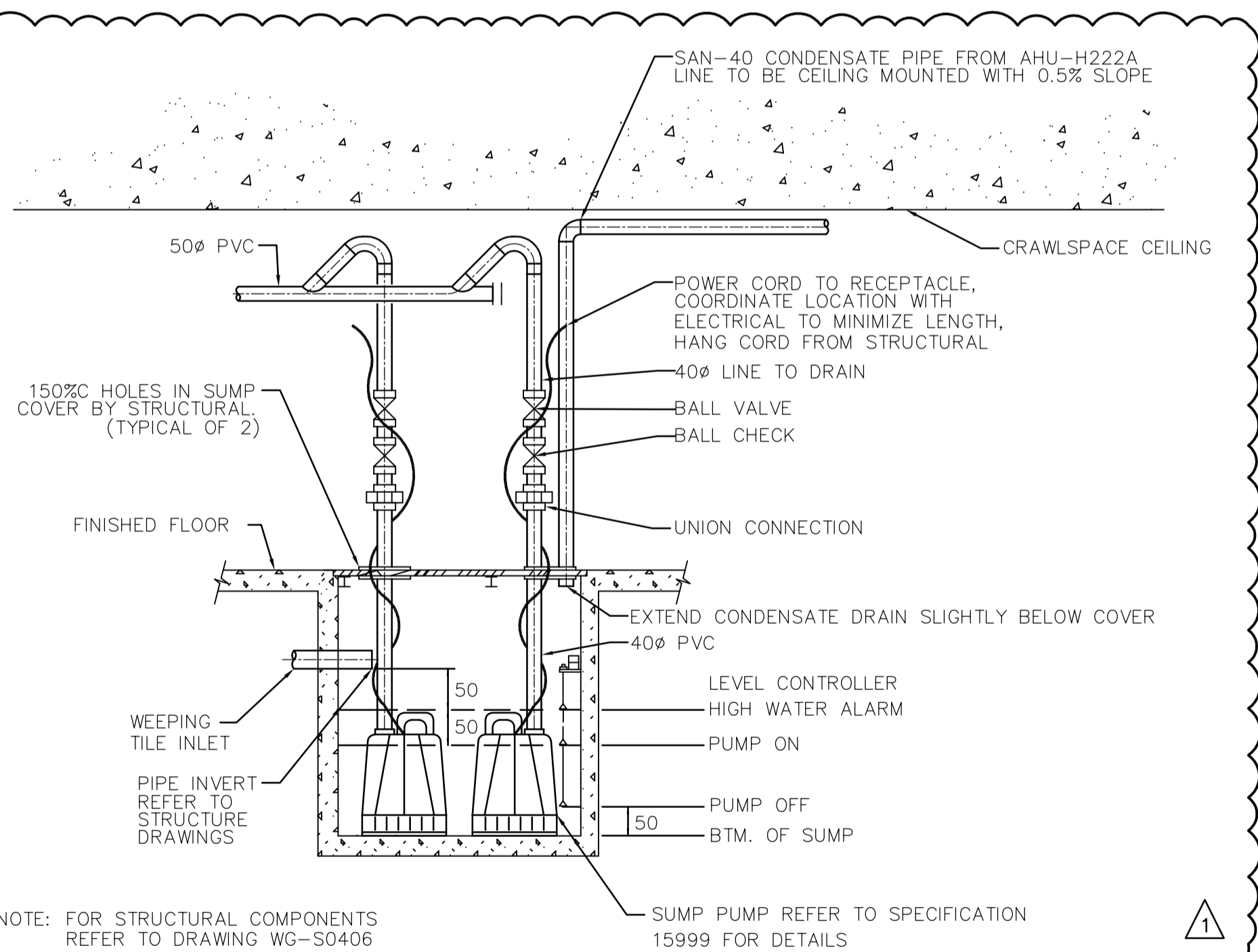
1 WALL MOUNTED EXHAUST FAN DETAIL
N.T.S.



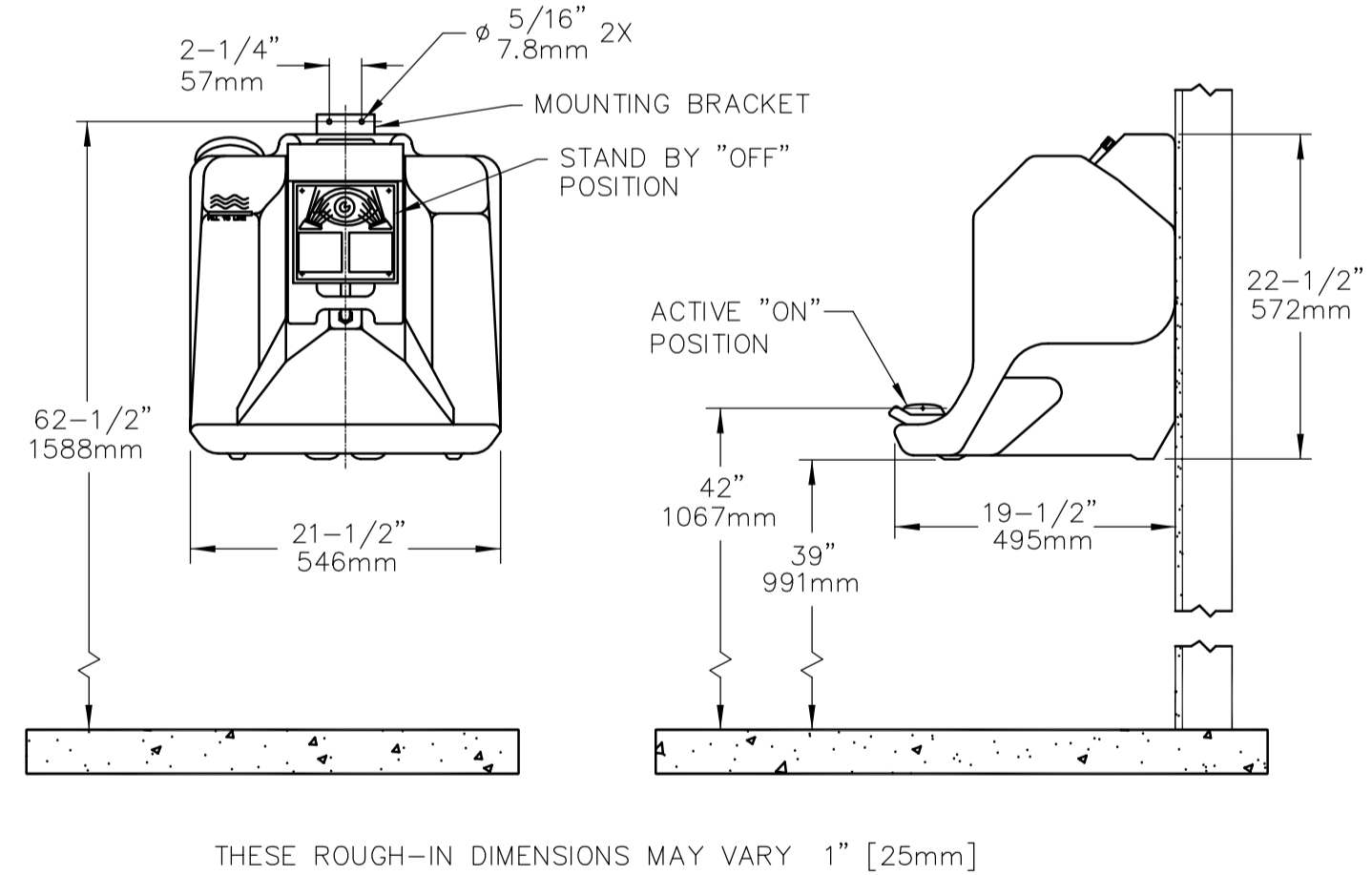
2 LOUVER AND DAMPER IN MASONRY WALL
N.T.S.



5 GRAVITY RELIEF HOOD DETAIL
N.T.S.



3 SANITARY PUMP DETAIL
N.T.S.



4 PORTABLE EYE WASH DETAIL (EEW)
N.T.S.



B.M. ELEV.			
DESIGNED BY	AB/LJW	CHECKED BY	AMA, PVL
DRAWN BY	LJW	APPROVED BY	AHL
SCALE:	N.T.S.	RELEASED FOR CONSTRUCTION BY:	R. SOROKOWSKI
NO. REVISIONS	DATE	BY	DATE
01	498-2006 ADDENDUM 4	06/10/10	DC
00	ISSUED FOR TENDER	06/08/28	LJW
2006/05/29		2006/08/30	

CH2M HILL
Frederickson Cooper ARCHITECTS

EarthTech
A Tyco International Ltd. Company

ENGINEER'S SEAL
ORIGINAL SIGNED BY
A. BURACHYNSKY
2006/08/30

CONSULTANT DRAWING NO.
WG-H0402

THE CITY OF WINNIPEG
WATER AND WASTE DEPARTMENT
ENGINEERING DIVISION

WATER TREATMENT PLANT
STANDBY POWER GENERATOR

MECHANICAL
STANDARD DETAIL

CITY FILE NUMBER
SHEET OF
CITY DRAWING NUMBER
1-0601G-A-H0402-001-01D