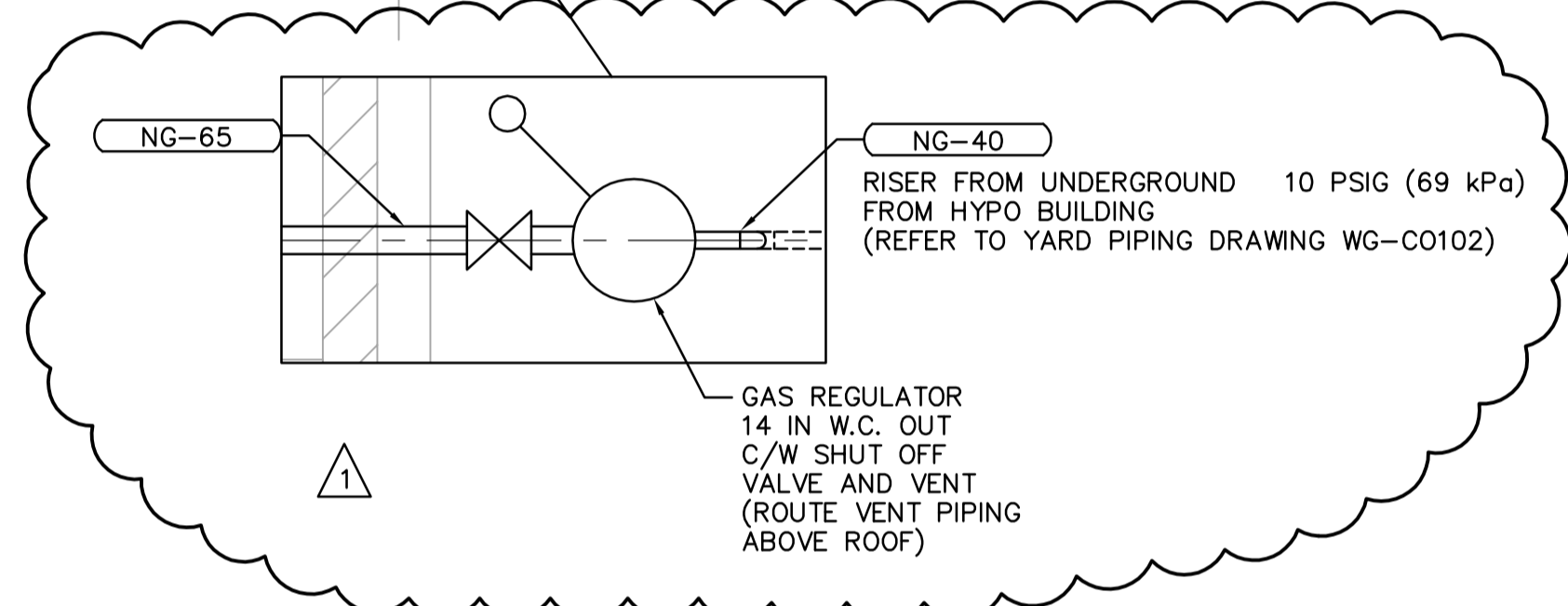
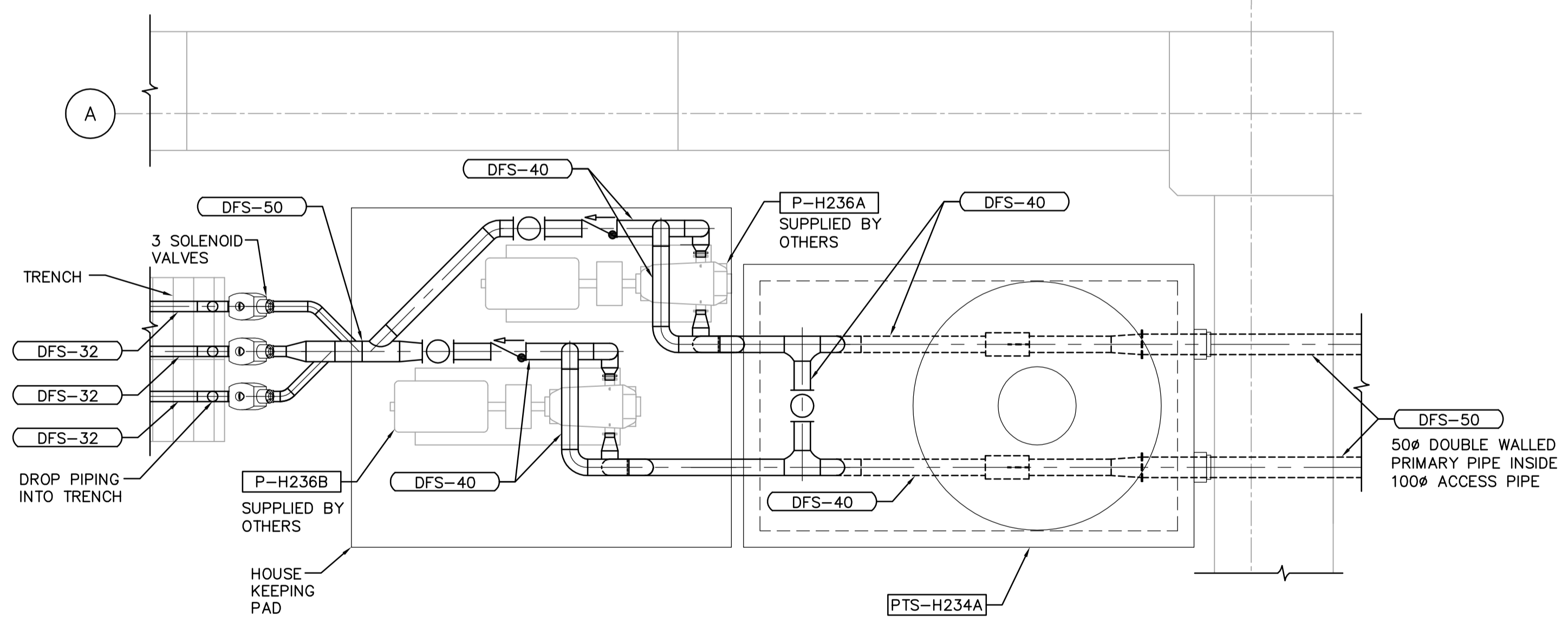


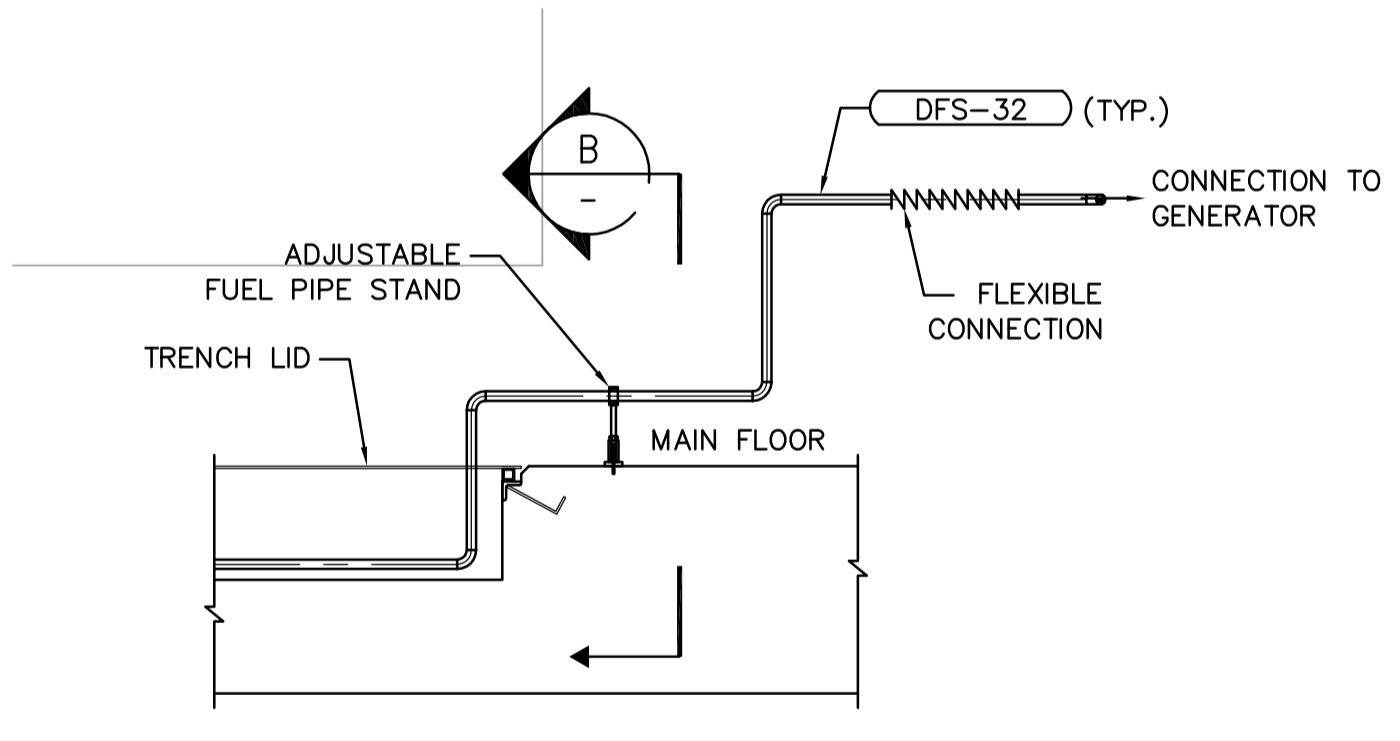
1 MAIN FLOOR PLUMBING PLAN  
1:100



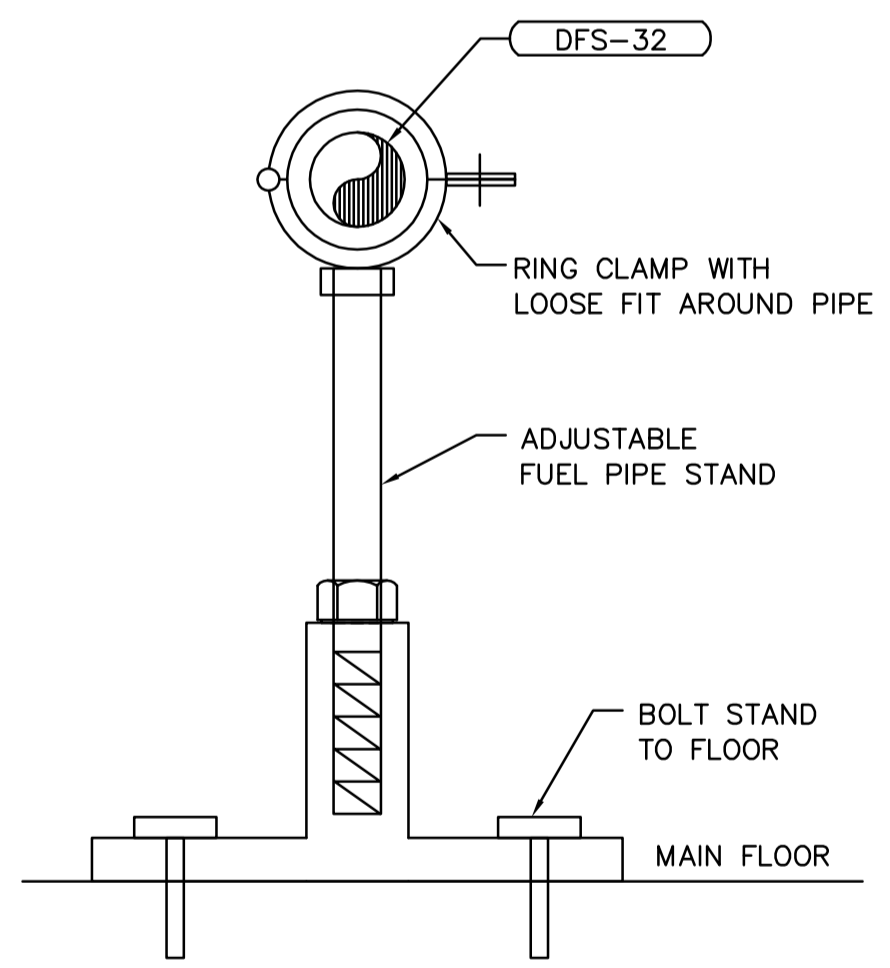
1 GAS REGULATOR  
14 IN W.C. OUT  
C/W SHUT OFF  
VALVE AND VENT  
(ROUTE VENT PIPING  
ABOVE ROOF)



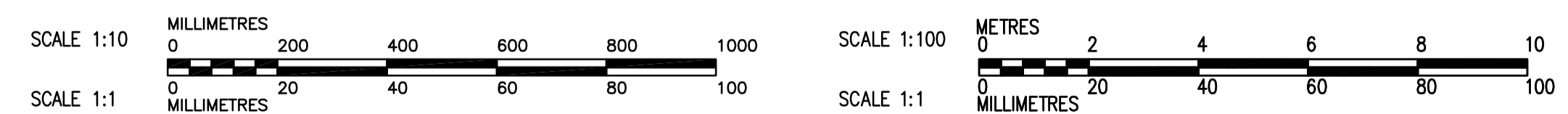
2 FUEL PUMPS AND FUEL DISPENSER SUMP DETAIL  
1:10



A SECTION (TYP. 3)  
1:20



B SECTION-TYPICAL FUEL PIPE STAND DETAIL  
1:2



B.M. ELEV.	<b>CH2M HILL</b> Frederickson Cooper ARCHITECTS	<b>EarthTech</b> A Type International Ltd. Company	ENGINEER'S SEAL ORIGINAL SIGNED BY A. BURACHYNSKY 2006/08/30	<b>THE CITY OF WINNIPEG</b> WATER AND WASTE DEPARTMENT ENGINEERING DIVISION
	DESIGNED BY: AB	CHECKED BY: AMA, PVL	CONSULTANT DRAWING NO. WG-H0110	CITY FILE NUMBER
	DRAWN BY: DJP	APPROVED BY: AHL		SHEET OF
	SCALE: AS NOTED	RELEASED FOR CONSTRUCTION BY: R. SOROKOWSKI		CITY DRAWING NUMBER 1-0601G-A-H0110-001-010
01 498-2006 ADDENDUM 4 06/10/10 DC	00 ISSUED FOR TENDER 06/08/28 LJW	NO. REVISIONS DATE BY DATE 2006/06/15 DATE 2006/08/30		
			MECHANICAL PIPING PLAN MAIN LEVEL PLAN	