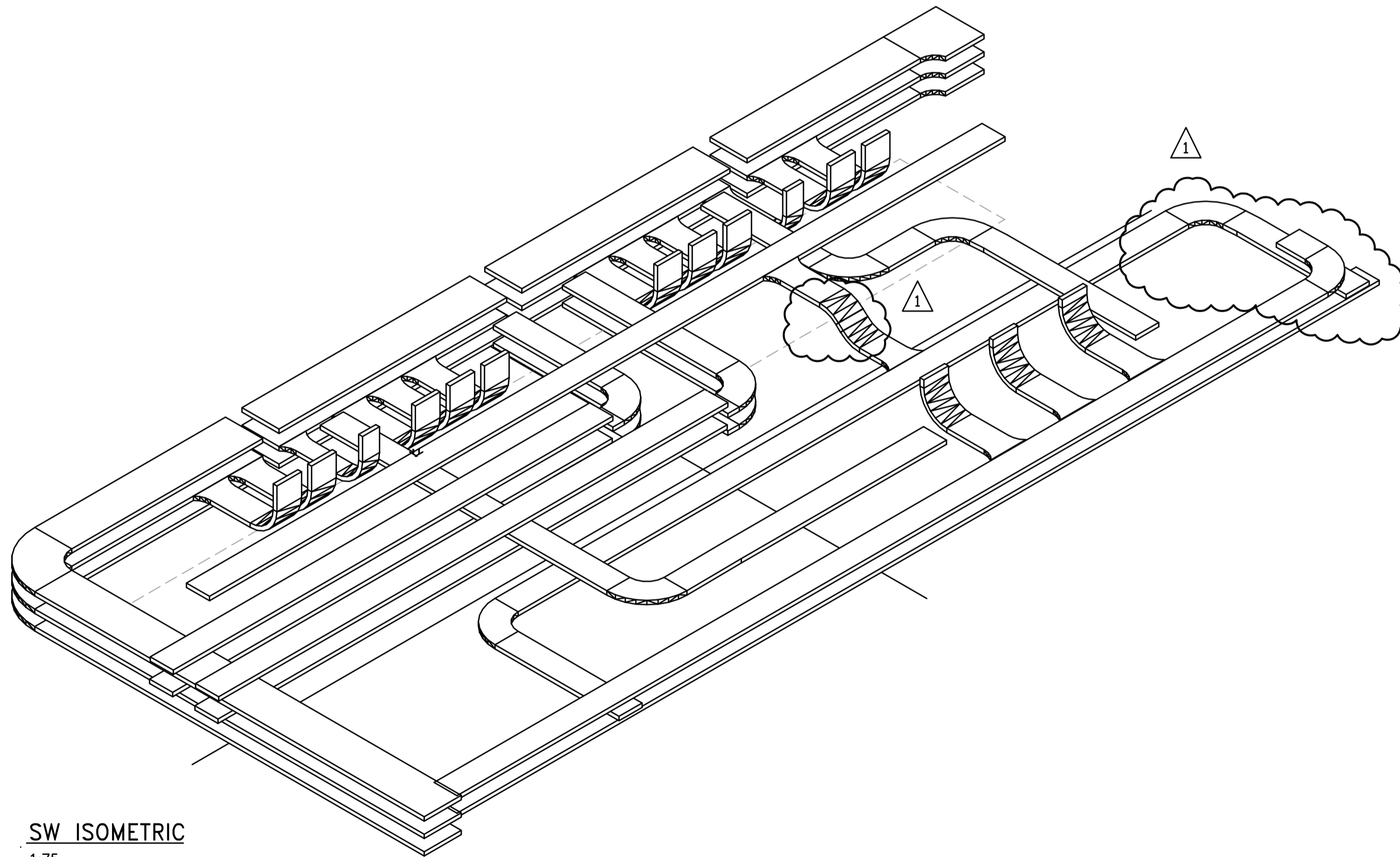


SE ISOMETRIC
1:100



SW ISOMETRIC
1:75

 APEGM Certificate of Authorization Earth Tech Canada Inc. No. 730 Expiry: April 30, 2007	B.M. ELEV.		 CH2M HILL Frederickson Cooper ARCHITECTS	 EarthTech A Tyco International Ltd. Company	ENGINEER'S SEAL		 THE CITY OF WINNIPEG WATER AND WASTE DEPARTMENT ENGINEERING DIVISION	CITY FILE NUMBER	
					DESIGNED BY: BLM	CHECKED BY: PS		ORIGINAL SIGNED BY: B.L. MOORE	SHEET OF
					DRAWN BY: ERC	APPROVED BY: AHL		2006/08/30	
					SCALE: AS SHOWN	RELEASED FOR CONSTRUCTION BY: R. SOROKOWSKI		CONSULTANT DRAWING NO. WG-E0404	CITY DRAWING NUMBER 1-0601G-A-E0404-001-010
01 498-2006 ADDENDUM 3 06/09/29 ERC 00 ISSUED FOR TENDER 06/08/30 ERC NO. REVISIONS DATE BY DATE 2006/06/13 DATE 2006/08/30				WATER TREATMENT PLANT STANDBY POWER GENERATOR GENERATOR BUILDING ELECTRICAL CRAWLSPACE CABLE TRAY DETAILS					