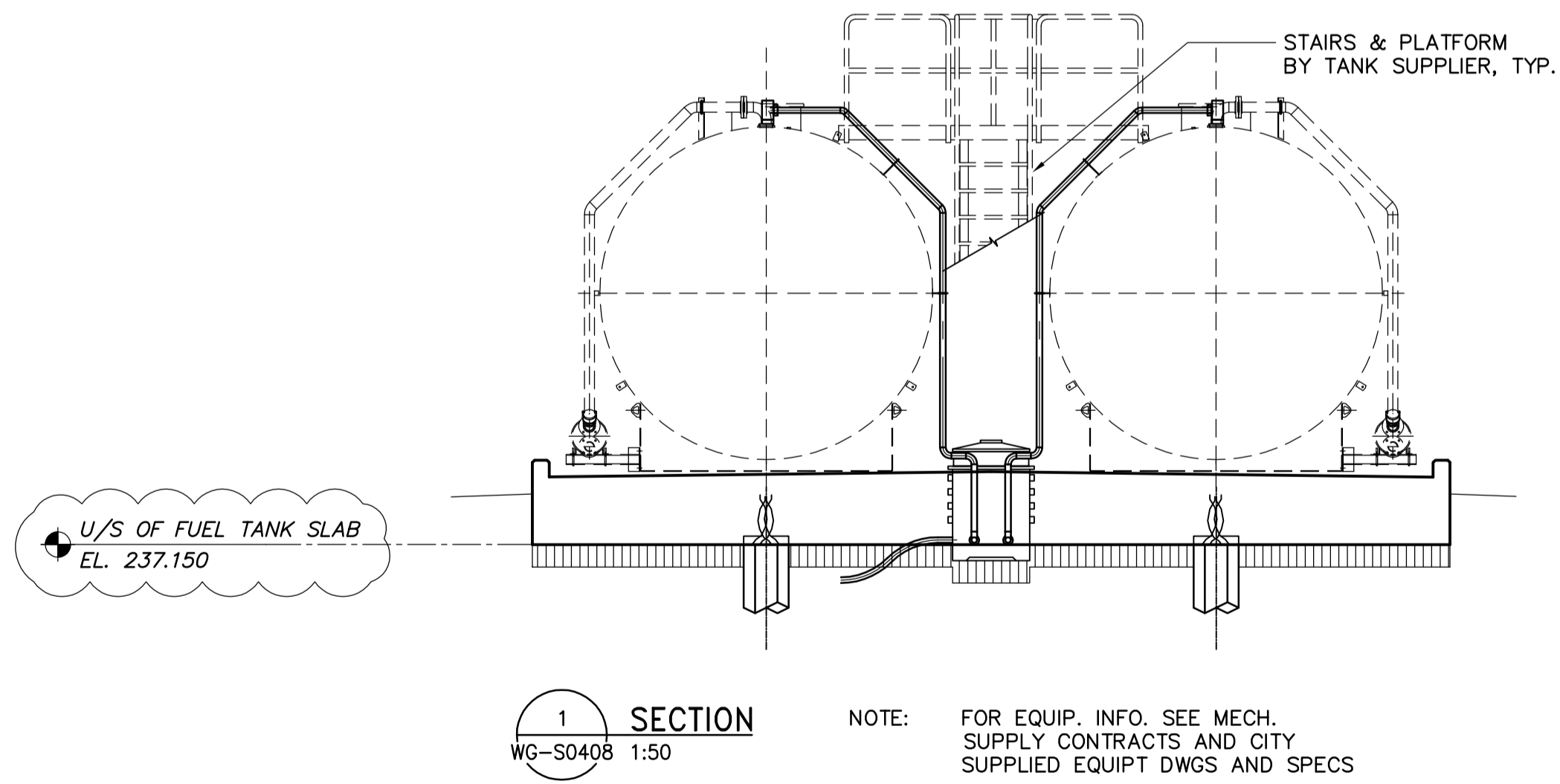
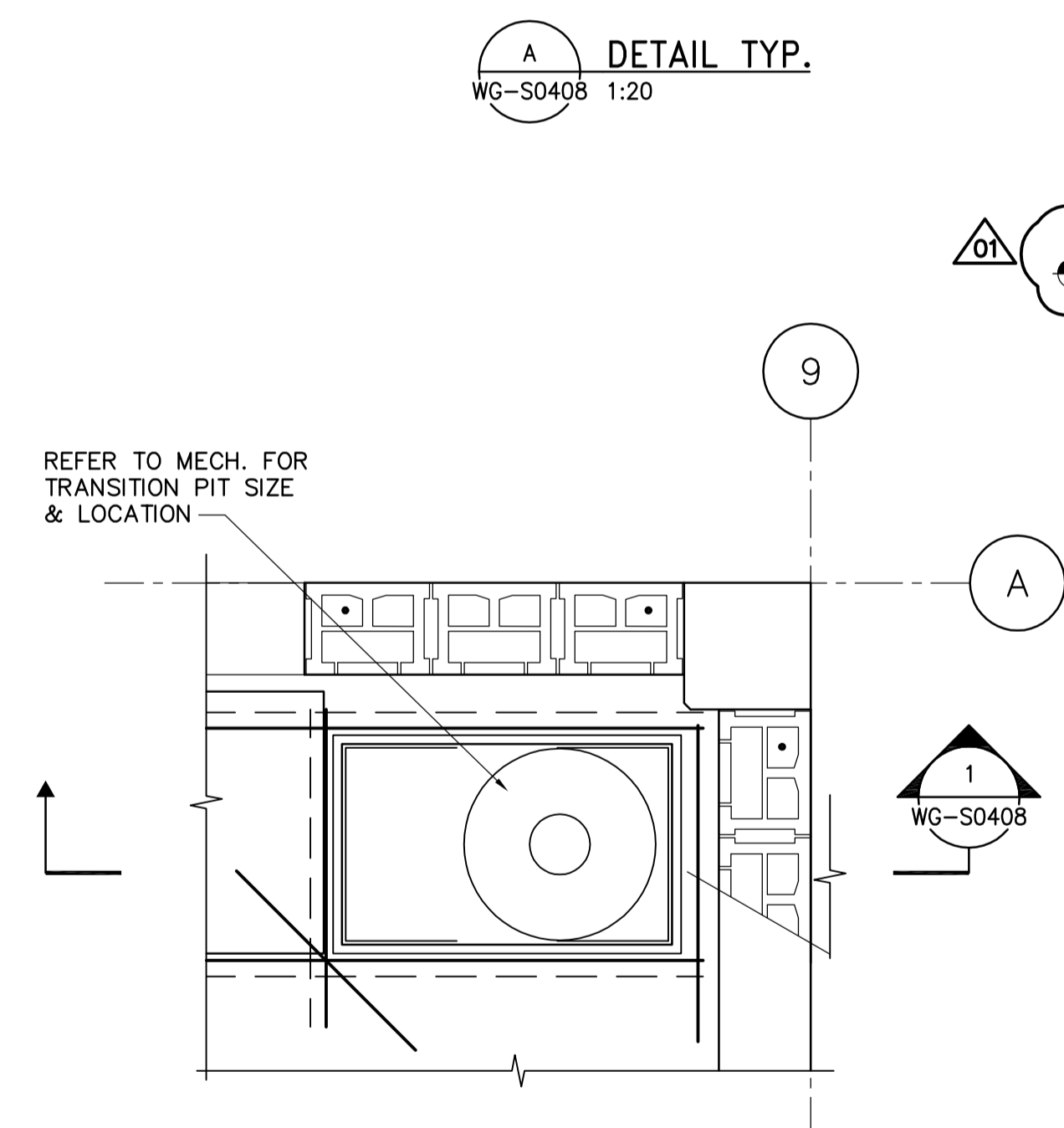


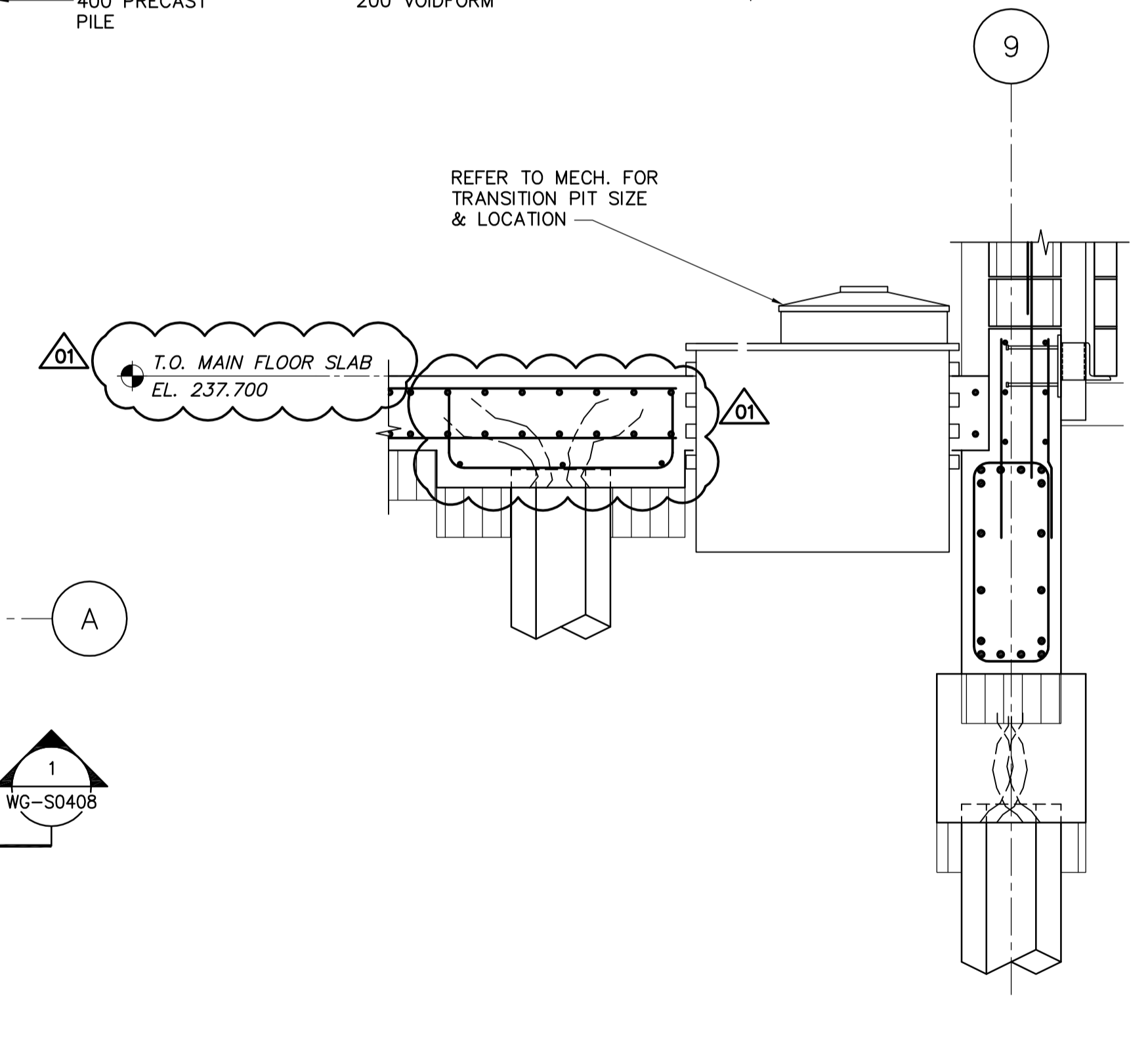
A DETAIL TYP.
WG-S0408 1:20



1 SECTION
WG-S0408 1:50



B TRANSITION PIT PLAN DETAIL
WG-S0110 1:20



1 TRANSITION PIT DETAIL
WG-S0408 1:20

APEGM
Certificate of Authorization
Earth Tech Canada Inc.
No. 730 Expiry: April 30, 2007

B.M. ELEV.					
01	498-2006 ADDENDUM 2	06/09/22	KK		
00	ISSUED FOR TENDER	06/08/28	KK		
NO.	REVISIONS	DATE	BY	DATE	2006/06/16

CH2MHILL
Frederickson Cooper
ARCHITECTS

EarthTech
A Tyco International Ltd. Company

ENGINEER'S SEAL
ORIGINAL
SIGNED BY
A. POCHANART
2006/08/30
CONSULTANT DRAWING NO.
WG-S0408

THE CITY OF WINNIPEG
WATER AND WASTE DEPARTMENT
ENGINEERING DIVISION

WATER TREATMENT PLANT
STANDBY POWER GENERATOR

STRUCTURAL
FUEL TANKS
SECTIONS & DETAILS

CITY FILE NUMBER
SHEET OF
CITY DRAWING NUMBER
1-601G-A-S0408-001-01D