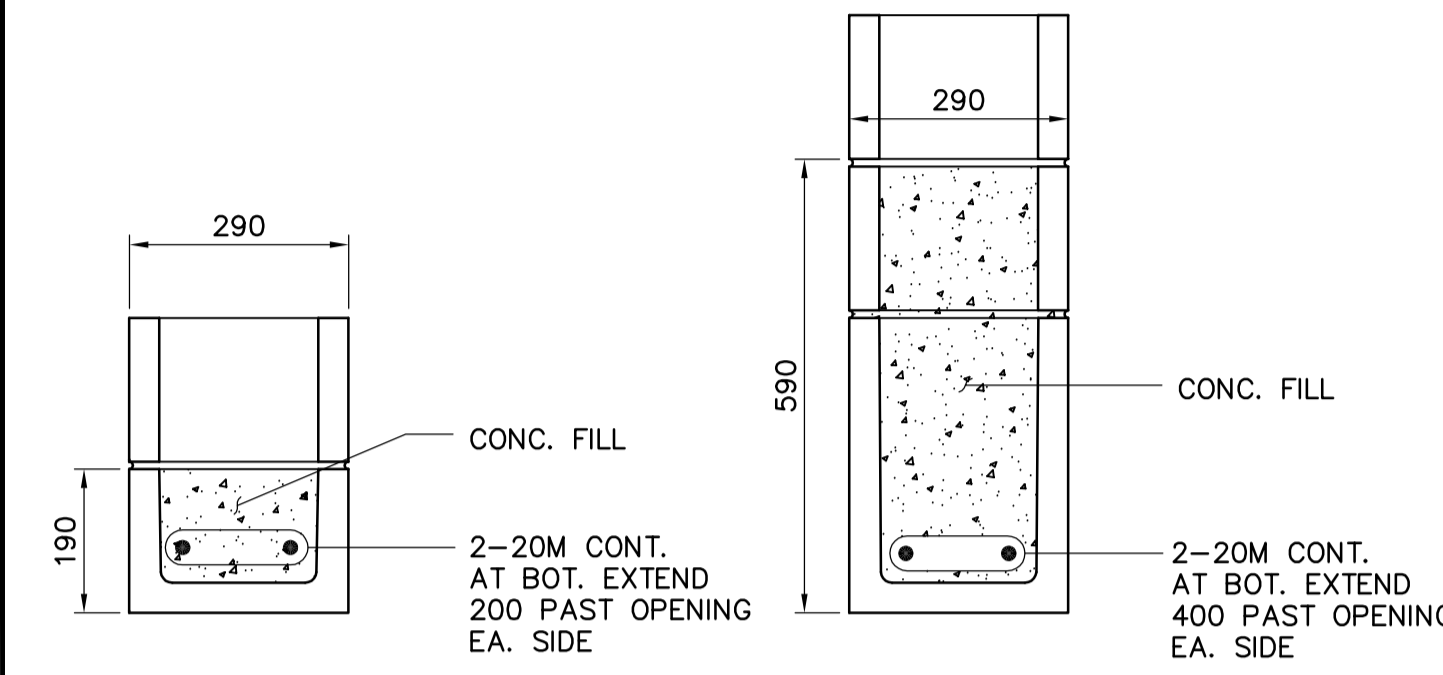
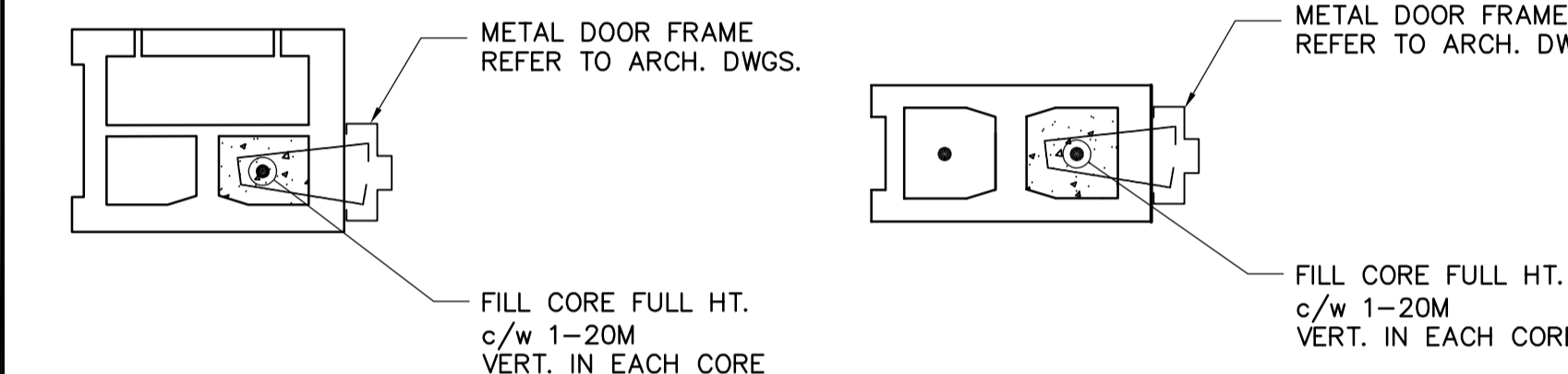


TYPICAL CONTROL JOINT DETAIL @ MID & TOP WALL
SCALE N.T.S.



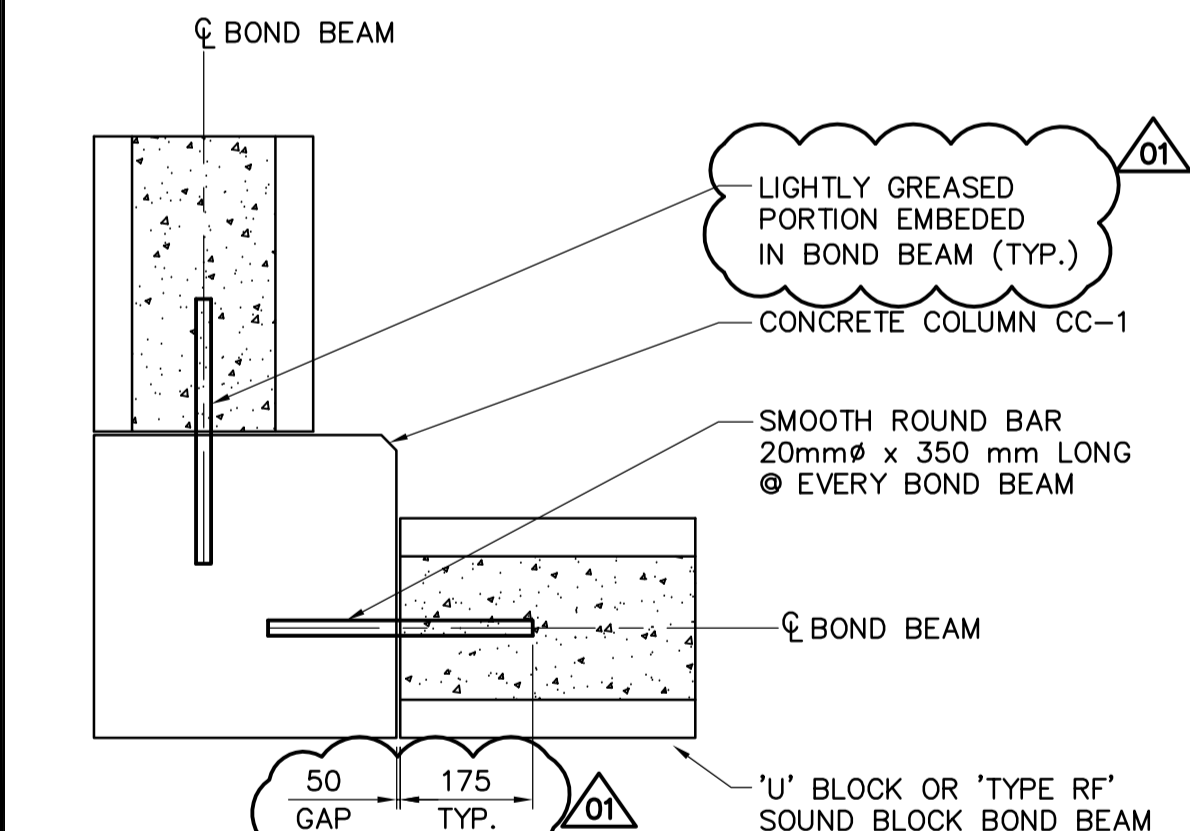
LINTEL TYPE ML-1 SCALE N.T.S.
LINTEL TYPE ML-2 SCALE N.T.S.



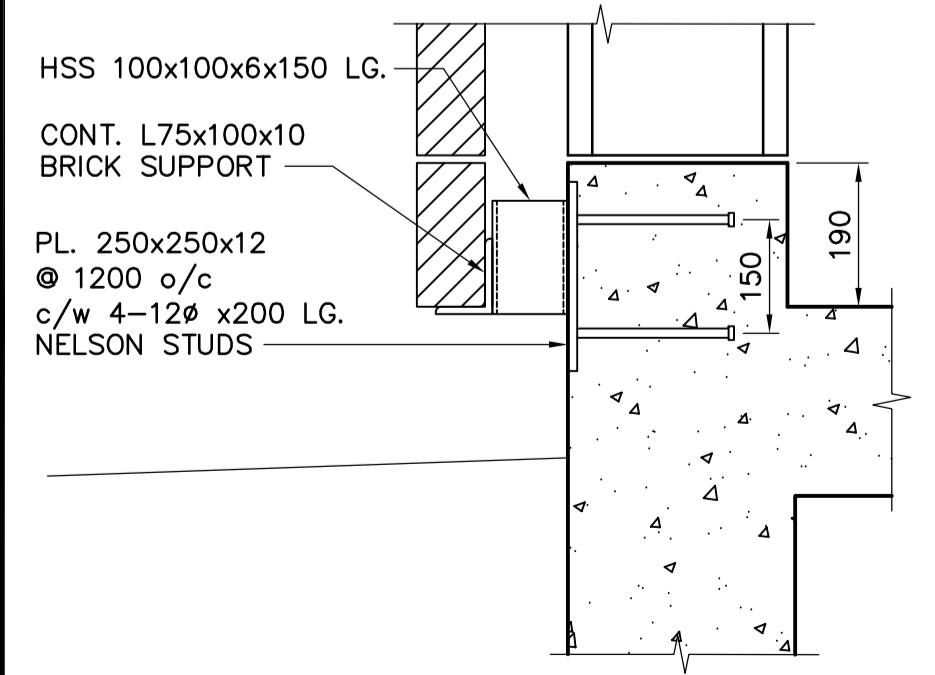
TYPICAL DOOR JAMB REINFORCING SCALE N.T.S.
TYPICAL DOOR JAMB REINFORCING SCALE N.T.S.

STANDARD DETAILS FOR SOUND BLOCK

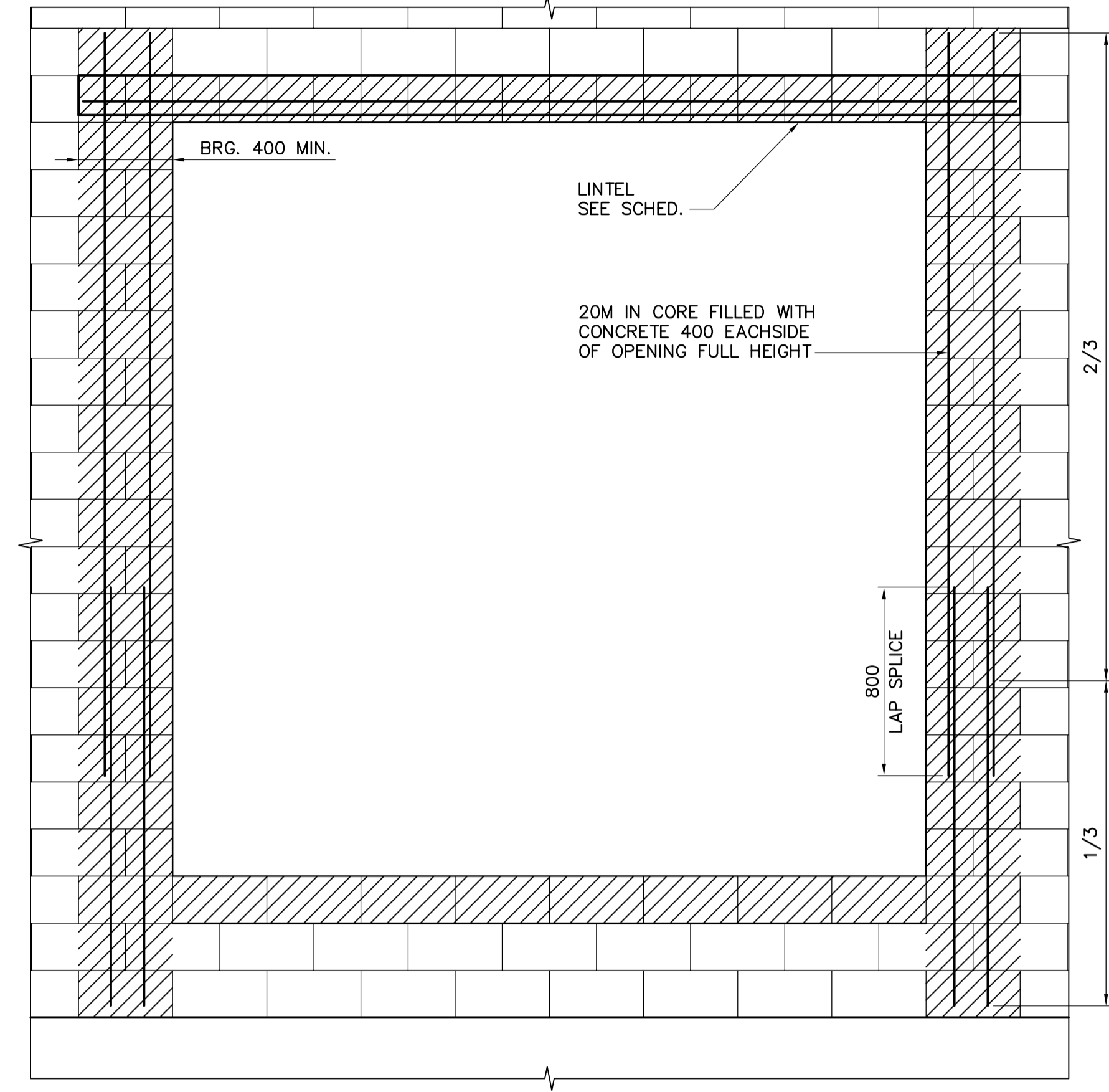
STANDARD DETAILS FOR STANDARD BLOCK



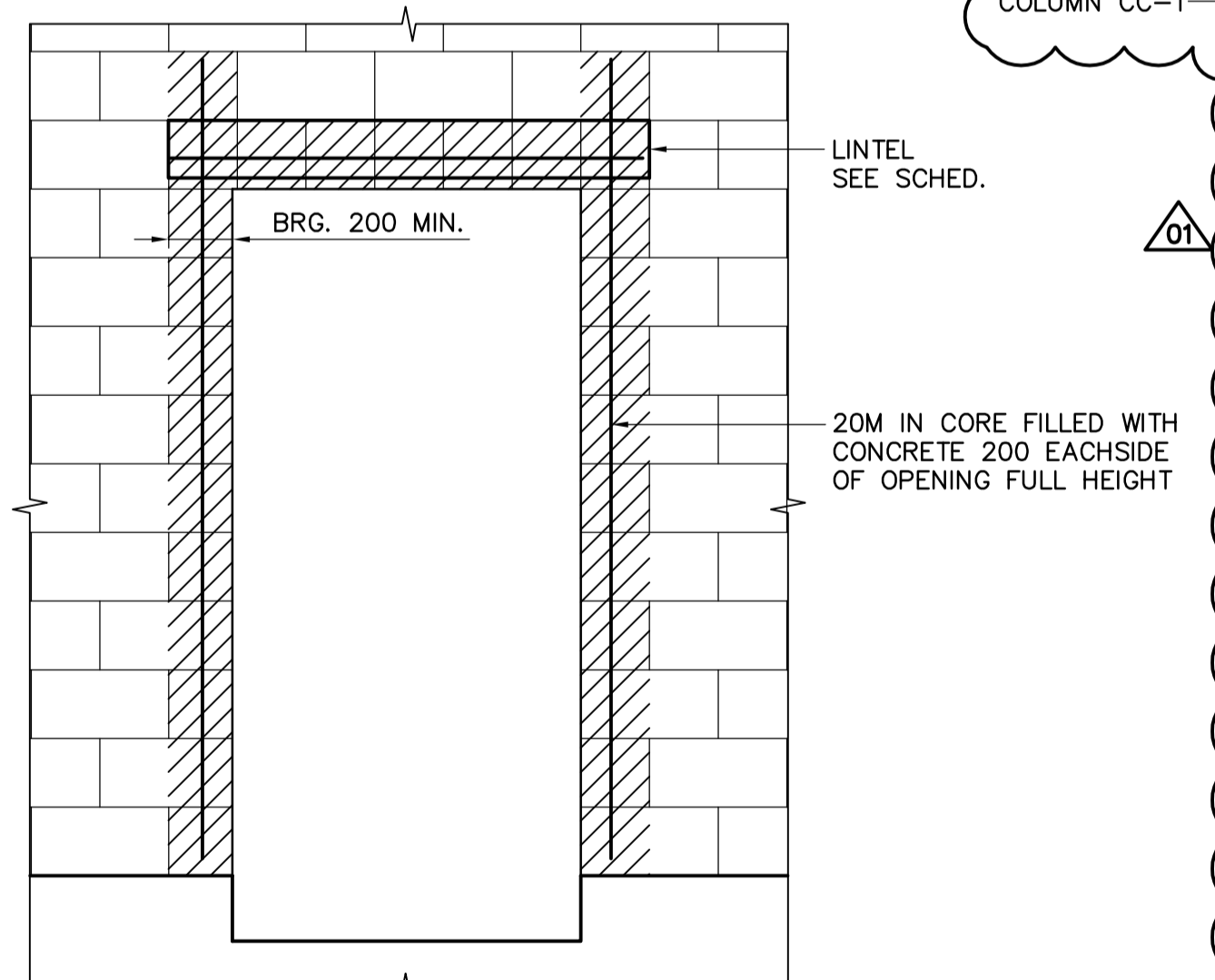
TYPICAL CORNER CONTROL JOINT DETAIL @ MID & TOP WALL
SCALE N.T.S.



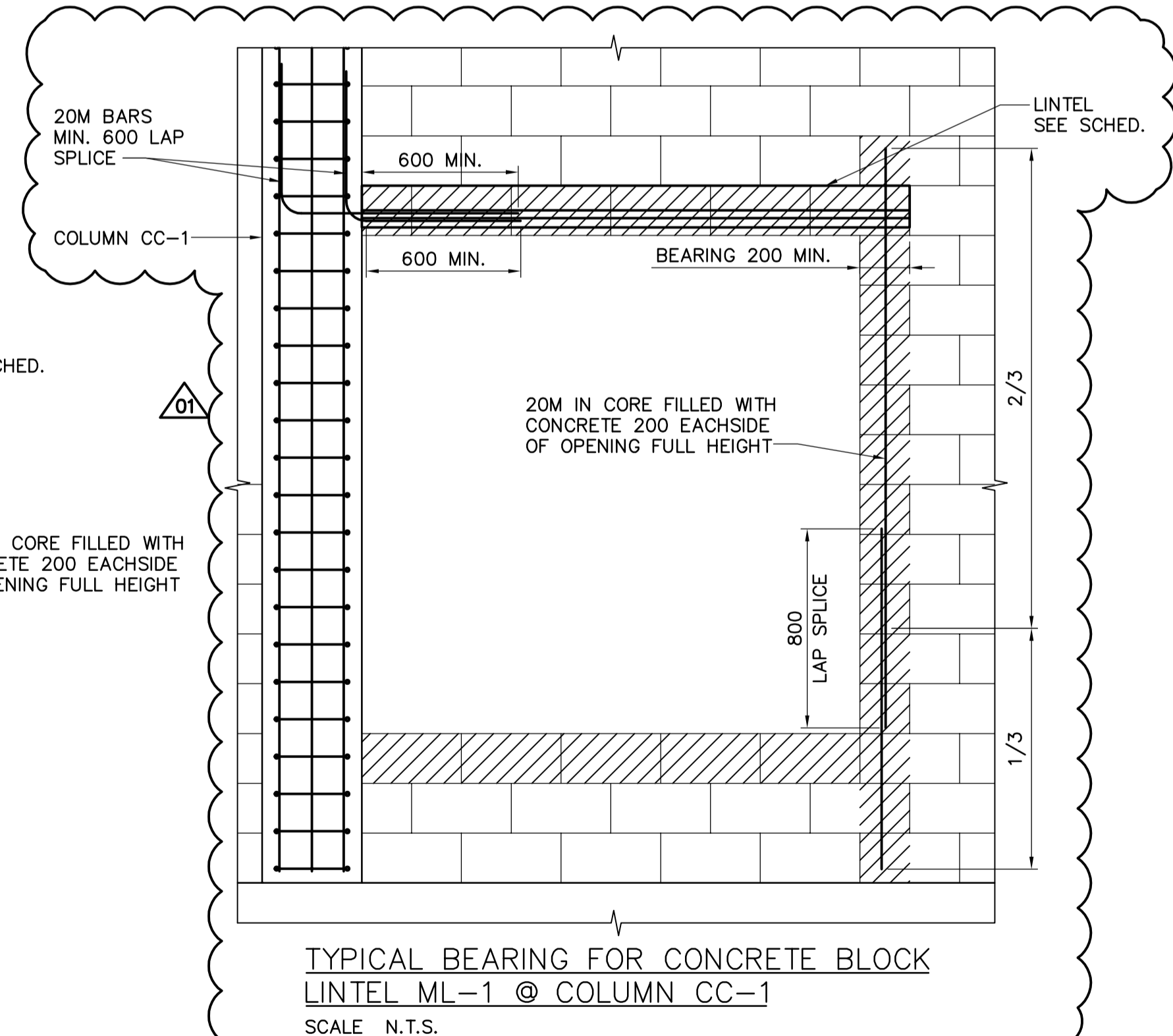
MASONRY SUPPORT AT FOUNDATION
SCALE N.T.S.



TYPICAL BEARING FOR CONCRETE BLOCK LINTELS FOR ML-2
SCALE N.T.S.



TYPICAL BEARING FOR CONCRETE BLOCK LINTELS FOR ML-1
SCALE N.T.S.



TYPICAL BEARING FOR CONCRETE BLOCK LINTEL ML-1 @ COLUMN CC-1
SCALE N.T.S.

PRE-CAST CONCRETE PILE SCHEDULE					
MARK	DIAMETER	CUT-OFF	REMARKS	COMMENT	
P-1 TO P-25 & P-30	400	234.825	PRECAST PILE PRE-BORE 5M		
P-26 TO P-28	400	234.825	PRECAST PILE PRE-BORE 5M	c/w 800x200x400 CONC. PILE CAP, PC-2	
P-31 TO P-53	400	235.975	PRECAST PILE PRE-BORE 5M	c/w 600x600 CONC. PILE CAP, PC-1	
P-54 TO P-59	400	237.475	PRECAST PILE PRE-BORE 5M	c/w 1000x1000x150 DROP PANEL	
P-60 TO P-78	400	237.025	PRECAST PILE PRE-BORE 5M	c/w 1000x9300x150 CONC. PILE CAP, PC-3	
P-79 TO P-96	400	236.725	PRECAST PILE PRE-BORE 5M		
P-97 TO P-104	400	237.175	PRECAST PILE PRE-BORE 5M		
P-105 TO P-113	400	237.175	PRECAST PILE PRE-BORE 5M		

CONCRETE GRADE BEAM SCHEDULE							
MARK	WIDTH	DEPTH	REINFORCING				REMARKS
			TOP	MIDDLE	BOTTOM	STIRRUPS	
GB-1	400	900	6-25M	2-25M E.F.	6-25M	15M @ 200 o/c	290Wx490H UPSTAND CURB R/W 15M HORIZ. @ 200 o/c E.F. & 15M VERT. @ 200 o/c E.F.

CONCRETE BEAM SCHEDULE							
MARK	WIDTH	DEPTH	REINFORCING				REMARKS
			TOP	MIDDLE	BOTTOM	STIRRUPS	
CB-1	400	915	6-25M	3-20M EA. FACE	6-25M	15M @ 200 o/c	200Wx610H UPSTAND CURB R/W 15M @ 200 o/c VERT., AND 15M @ 200 o/c HORIZ.
CB-2	400	400	4-20M	---	4-20M	15M @ 200 o/c	
CB-3	400	600	4-25M	---	4-25M	15M @ 300 o/c	
CB-4	400	650	4-25M	---	6-25M	15M @ 300 o/c	INTIGRATED INTO CONC. FLOOR SLAB

CONCRETE COLUMN & PILASTER SCHEDULE					
MARK	SIZE	REINFORCING			REMARKS
		VERT.	STIRRUPS	ADDITIONAL	
CC-1, CP-1	400x400	8-25M	15M @ 150 o/c		SEE DETAIL
CC-2, CP-2	400x400	4-25M	15M @ 150 o/c		SEE DETAIL

MASONRY WALL SCHEDULE					
MARK	SIZE	REINFORCING	TYPE	CORE FILL	REMARKS
MW-1	290	20M VERT @ 400 o/c	CONCRETE	FILL ALL REINF CORES w/ 25MPa CONC	STRUCTURAL SOUND BLOCK
MW-2	240	20M VERT @ 200 o/c	CONCRETE	FILL ALL REINF CORES w/ 25MPa CONC	STANDARD BLOCK
MW-3	190	20M VERT @ 400 o/c	CONCRETE	FILL ALL REINF CORES w/ 25MPa CONC	STRUCTURAL SOUND BLOCK

MASONRY LINTEL SCHEDULE					
MARK	SIZE	REINFORCING	TYPE	CORE FILL	REMARKS
ML-1	290	2-20M BOTTOM	CONCRETE	FILL ALL REINF CORES w/ 25MPa CONC	STRUCTURAL SOUND BLOCK
ML-2	290	2-20M BOTTOM	CONCRETE	FILL ALL REINF CORES w/ 25MPa CONC	STRUCTURAL SOUND BLOCK

CONCRETE WALL SCHEDULE						
MARK	DEPTH	HEIGHT	REINFORCING			REMARKS
			VERTICAL	HORIZONTAL	ADDITIONAL	
CW-1	300	2490	20M @ 200 o/c E.F.	20M @ 200 o/c E.F.	20M DLS @ 200 o/c	290 UPSTAND ABOVE FLOOR

CONCRETE SLAB SCHEDULE					
MARK	DEPTH	REINFORCING			REMARKS
		TOP	BOTTOM	ADDITIONAL	
SL-1	250	20M @ 200 o/c E.W.	20M @ 200 o/c E.W.	SEE PLAN	
SL-2	300	20M @ 200 o/c E.W.	20M @ 200 o/c E.W.	NONE	
SL-3	300	20M @ 150 o/c E.W.	20M @ 150 o/c E.W.	NONE	

CONCRETE EQUIPMENT PEDESTAL SCHEDULE				
MARK	SIZE	REINFORCING		REMARKS
		TOP	BOTTOM	
EP-1	21035x2794	15M @ 300 o/c		
EP-2	6405x2794	15M @ 300 o/c		
EP-3	2650x7089	20M @ 150 o/c	20M @ 150 o/c	3-20M SIDES w/ 20M BENT BARS @ 100 PERIMETER



B.M. ELEV.		CH2M HILL Frederickson Cooper ARCHITECTS	EarthTech A Type International Ltd. Company	ENGINEER'S SEAL ORIGINAL SIGNED BY A. POCHANART 2006/08/30	THE CITY OF WINNIPEG WATER AND WASTE DEPARTMENT Winnipeg ENGINEERING DIVISION WATER TREATMENT PLANT STANDBY POWER GENERATOR	CITY FILE NUMBER SHEET OF	
DESIGNED BY	AP	CHECKED BY	MK	CONSULTANT DRAWING NO. WG-S0002	STRUCTURAL SCHEDULES STANDARD DETAILS	CITY DRAWING NUMBER 1-0601G-A-S0002-001-01D	
DRAWN BY	KK	APPROVED BY	AHL	DATE		2006/06/16	DATE
SCALE:	AS SHOWN	RELEASED FOR CONSTRUCTION BY:	R. SOROKOWSKI				
NO. REVISIONS		DATE	BY				