

THESE DRAWINGS WERE GENERATED WITHOUT
REFERENCE TO CUSTOMER DRAWINGS

FUEL CONSUMPTION @100% LOAD	-	140.2	GPH	-	531.1	LPH
MAXIMUM FUEL FLOW AT FUEL PUMP	-	332.9	GPH	-	1,260.2	LPH
MAXIMUM FUEL RETURN FLOW	-	322.3	GPH	-	1,257.9	LPH
MAXIMUM FUEL RESTRICTION SUPPLY	-	8.9	IN HG	-	226.1	MM HG
MAXIMUM RESTRICTION RETURN	-	8.0	IN HG	-	203.2	MM HG
INTAKE AIR FLOW @100% LOAD	-	5,802.2	CFM	-	164.3	M ³ /MIN
EXHAUST FLOW @100% LOAD	-	16,029.3	CFM	-	453.9	M ³ /MIN
RADIATOR AIR FLOW (@.5" WG)	-	71,017	CFM	-	2,011.2	M ³ /MIN
EXHAUST RESTRICTION	-	26.9	IN WG	-	683.3	MM HG
EXHAUST TEMPERATURE	-	957.9	°F	-	514	°C
COOLANT CAPACITY ENGINE ONLY	-	61.6	US. GAL	-	233	L
COOLANT CAPACITY SYSTEM	-	96.6	US. GAL	-	366	L
LUBE OIL CAPACITY	-	106.0	US. GAL	-	401.3	L
ESTIMATED WEIGHT (WET WEIGHT GENERATOR SET ONLY)	-	41,023	LBS	-	18,647.1	KG
GENERATOR SET COLOUR	-	YELLOW				

DRAWING No.	SHT #	DESCRIPTION
050203 M01	1	DRAWING LIST & NOTES
050203 M02	1	RIGHT SIDE VIEW
050203 M03	1	FRONT SIDE VIEW
050203 M04	1	LEFT SIDE VIEW
050203 M05	1	REAR VIEW
050203 M06	1	TOP VIEW
050203 M07	1	GENERATOR FOOTPRINT
--	--	--
--	--	--

Earth Tech (Canada) Inc.

Reviewed for general conformance with design intent. Responsibility for detailed design in the shop drawings rests with the Contractor.

Responsibility for verification and correlation of field dimensions, fabrication process, techniques of construction, installation and coordination of all parts of the work rests with the Contractor.

REVIEWED

REVIEWED AS MODIFIED _____

REVISE AND RE-SUBMIT _____

NOT REVIEWED _____

Project No. 79538-C31-16

Date: June 21/06 By: [Signature] (MECH)

1	PICTORIAL CHANGE ONLY	RW	MAY 24 2006
0	ORIGINAL ISSUE	RW	MAR 30 2006
REV.	DESCRIPTION	DWN APP'D	DATE
REF. DWG.	SHEET NO.	CHG. LVL.	ACAD FILE NO.
			050203 M01
CUSTOMER:	CITY OF WINNIPEG		
DESIGNED BY:	RW		
END USER:	DEACON' RESERVOIR		
TITLE:	3516B PACKAGE GENERATOR SET 2000 KW - 4160 VOLT - 60 HZ GENERAL DIM - DRAWING LIST AND NOTES		
THIS DOCUMENT IS THE PROPERTY OF TOROMONT INDUSTRIES LTD. AND CONTAINS INFORMATION THAT IS PRIVILEGED, PROPRIETARY AND/OR CONFIDENTIAL, AND IS FOR THE USE OF THE INTENDED CUSTOMER AND END USER ONLY. AS IDENTIFIED IN THIS TITLE BLOCK.		SCALE:	SHEET: 1 of 1
TOROMONT Power Systems		SCALE: N.T.S.	DWG NO: 050203 M01

8

9

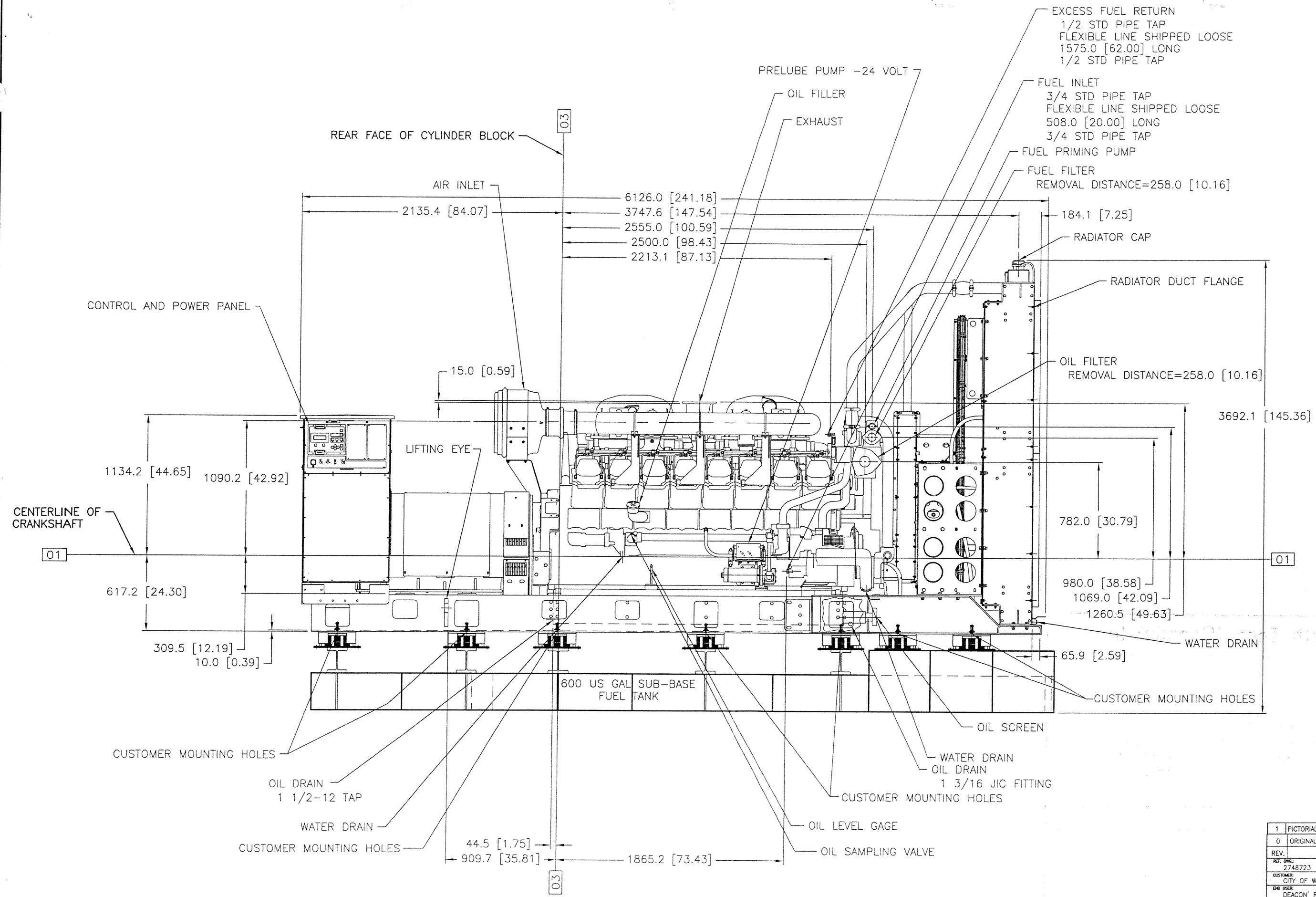
10

1. The first part of the document
 discusses the general principles
 of the system. It is important
 to understand these principles
 before proceeding to the
 detailed description.

2. The second part of the document
 describes the system in detail.
 It includes a description of the
 components and their functions.
 It also includes a description of
 the system's architecture.

3. The third part of the document
 describes the system's operation.
 It includes a description of the
 system's workflow and the
 steps involved in its operation.

4. The fourth part of the document
 describes the system's maintenance.
 It includes a description of the
 system's maintenance requirements
 and the steps involved in its
 maintenance.



CAT 3516B PACKAGE GENERATOR SET
METRIC [INCH]
RIGHT SIDE VIEW

1	PICTORIAL CHANGE ONLY	RW	MAY 24 2006
0	ORIGINAL ISSUE	RW	MAR 30 2006
REV.	DESCRIPTION	DWN APP'D	DATE
REV. DWG:	2748723	SHEET NO.:	A
CUSTOMER:	CITY OF WINNIPEG	ACAD FILE NO.:	050203 M02
END USER:	DEACON RESERVOIR	DESIGNED BY:	RW
		THIRD ANGLE	
TITLE:	3516B PACKAGE GENERATOR SET 2000 EKW - 4160 VOLT - 60 HZ GENERAL DIM - RIGHT SIDE VIEW		

Earth Tech (Canada) Inc.

Reviewed for general conformance with design intent.
Responsibility for detailed design in the shop drawings
rests with the Contractor.

Responsibility for verification and correlation of field
dimensions, fabrication process, techniques of
construction, installation and coordination of all
parts of the work rests with the Contractor. ✓

REVIEWED _____

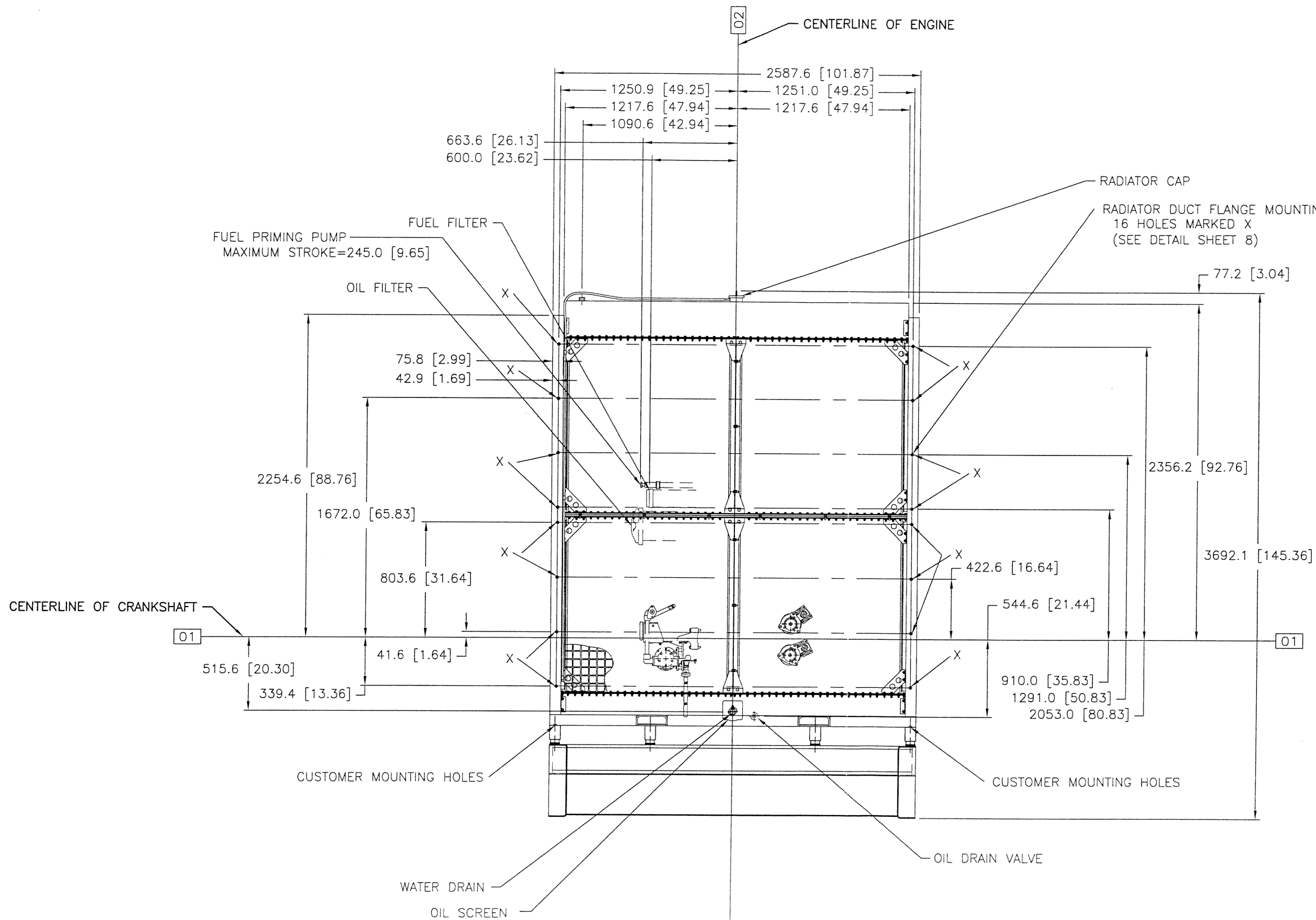
REVIEWED AS MODIFIED _____

REVISE AND RE-SUBMIT _____

NOT REVIEWED _____

Project No. 79538-C31-16

Date: June 21/06 By: [Signature]



Earth Tech (Canada) Inc.

Reviewed for general conformance with design intent. Responsibility for detailed design in the shop drawing rests with the Contractor.

Responsibility for verification and correlation of field dimensions, fabrication process, techniques of construction, installation and coordination of all parts of the work rests with the Contractor.

REVIEWED

REVIEWED AS MODIFIED

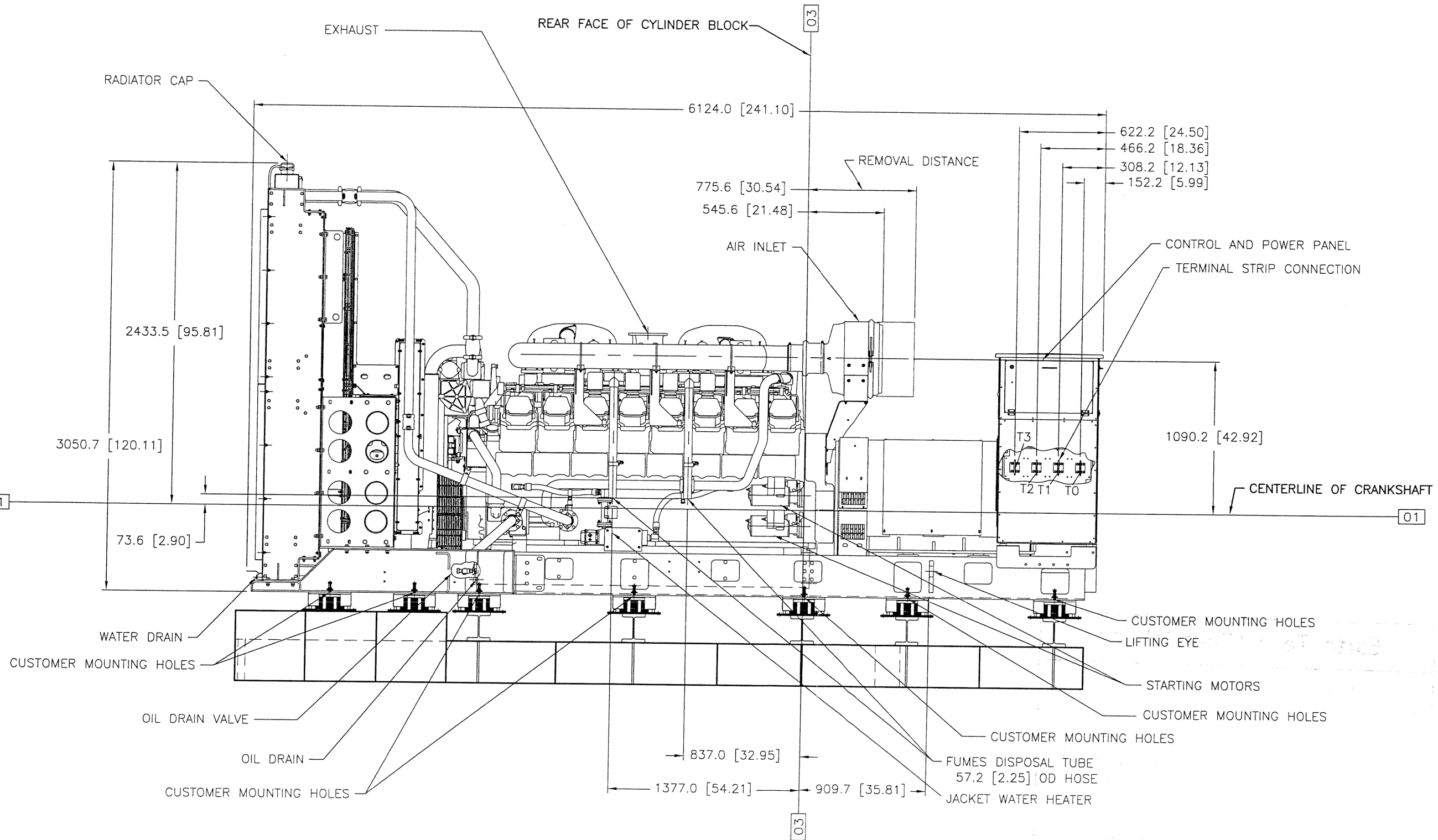
REVISE AND RE-SUBMIT

NOT REVIEWED

Project No. 79538-C31-16

Date: June 21/06 By: [Signature]

CAT 3516B PACKAGE GENERATOR SET
METRIC [INCH]
FRONT VIEW



CAT 3516B PACKAGE GENERATOR SET
METRIC [INCH]
LEFT SIDE VIEW

1	PICTORIAL CHANGE ONLY	RW	MAY 24 2006
0	ORIGINAL ISSUE	RW	MAY 30 2006
REV.	DESCRIPTION	DWN APP'D	DATE
REF. DWG:	2748723	SHEET NO.:	C
CUSTOMER:	CITY OF WINNIPEG	CHK. LVL.:	050203 M04
END USER:	DEACON' RESERVOIR	DESIGNED BY:	RW
TITLE:	3516B PACKAGE GENERATOR SET 2000 EKW - 4160 VOLT - 60 HZ GENERAL DIM - LEFT SIDE VIEW	THIRD ANGLE	

THIS DOCUMENT IS THE PROPERTY OF TOROMONT INDUSTRIES LTD. AND CONTAINS INFORMATION THAT IS PRIVILEGED, PROPRIETARY AND/OR CONFIDENTIAL, AND IS FOR THE USE OF THE INTERESTED CUSTOMER AND END USER ONLY, AS IDENTIFIED IN THIS TITLE BLOCK.

Earth Tech (Canada) Inc.

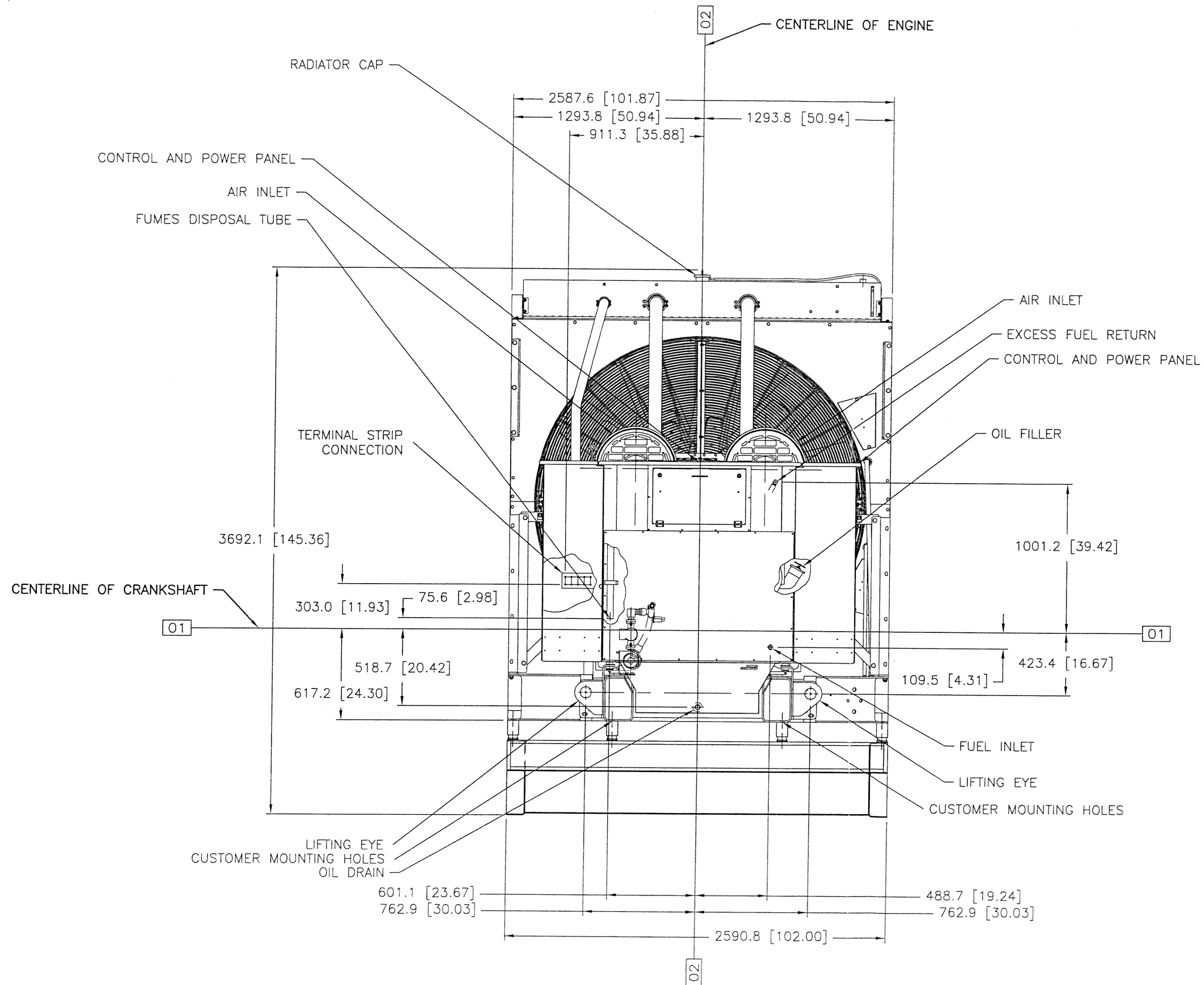
Reviewed for general conformance with design intent.
Responsibility for detailed design in the shop drawings
rests with the Contractor.

Responsibility for verification and correlation of field
dimensions, fabrication process, techniques of
construction, installation and coordination of all
parts of the work rests with the Contractor.

- REVIEWED
- REVIEWED AS MODIFIED
- REVISE AND RE-SUBMIT
- NOT REVIEWED

Project No. 79538-C31-16

Date: June 21/06 By: [Signature] (MECH)



CAT 3516B PACKAGE GENERATOR SET
METRIC [INCH]
REAR VIEW

Earth Tech (Canada) Inc.

Reviewed for general conformance with design intent. Responsibility for detailed design in the shop drawings rests with the Contractor.

Responsibility for verification and correlation of field dimensions, fabric process, techniques of construction, installation and coordination of all parts of the work rests with the Contractor.

REVIEWED _____

REVIEWED AS MODIFIED _____

REVISE AND RE-SUBMIT _____

NOT REVIEWED _____

Project No. 79538-C31-16

Date: June 21/06 By: B. (mech)

1	PICTORIAL CHANGE ONLY	RW	MAY 24 2006
0	ORIGINAL ISSUE	RW	MAY 30 2006
REV.	DESCRIPTION	DWN APP'D	DATE
REF. DWG:	SHEET NO.:	CHG. LVL.:	ACAD FILE NO.:
2748723	0		050203.M05
CUSTOMER:	CITY OF WINNIPEG	DESIGNED BY:	
END USER:	DEACON RESERVOIR	RW	
TITLE:	3516B PACKAGE GENERATOR SET	THIRD ANGLE	
	2000 EKW - 4160 VOLT - 60 HZ		
	GENERAL DIM - REAR VIEW		
THIS DOCUMENT IS THE PROPERTY OF TOROMONT INDUSTRIES LTD. AND CONTAINS INFORMATION THAT IS PRIVILEGED, PROPRIETARY AND/OR CONFIDENTIAL AND IS FOR THE USE OF THE INTENDED CUSTOMER AND END USER ONLY. AS IDENTIFIED IN THIS TITLE BLOCK.		SCALE: N.T.S.	
TOROMONT CAT Power Systems		SHEET: 1 of 1	
		DWG NO.: 050203-M05	

Earth Tech (Canada) Inc.

Reviewed for general conformance with design intent. Responsibility for detailed design in the shop drawings rests with the Contractor.

Responsibility for verification and correlation of field dimensions, fabrication process, techniques of construction, installation and coordination of all parts of the work rests with the Contractor.

REVIEWED

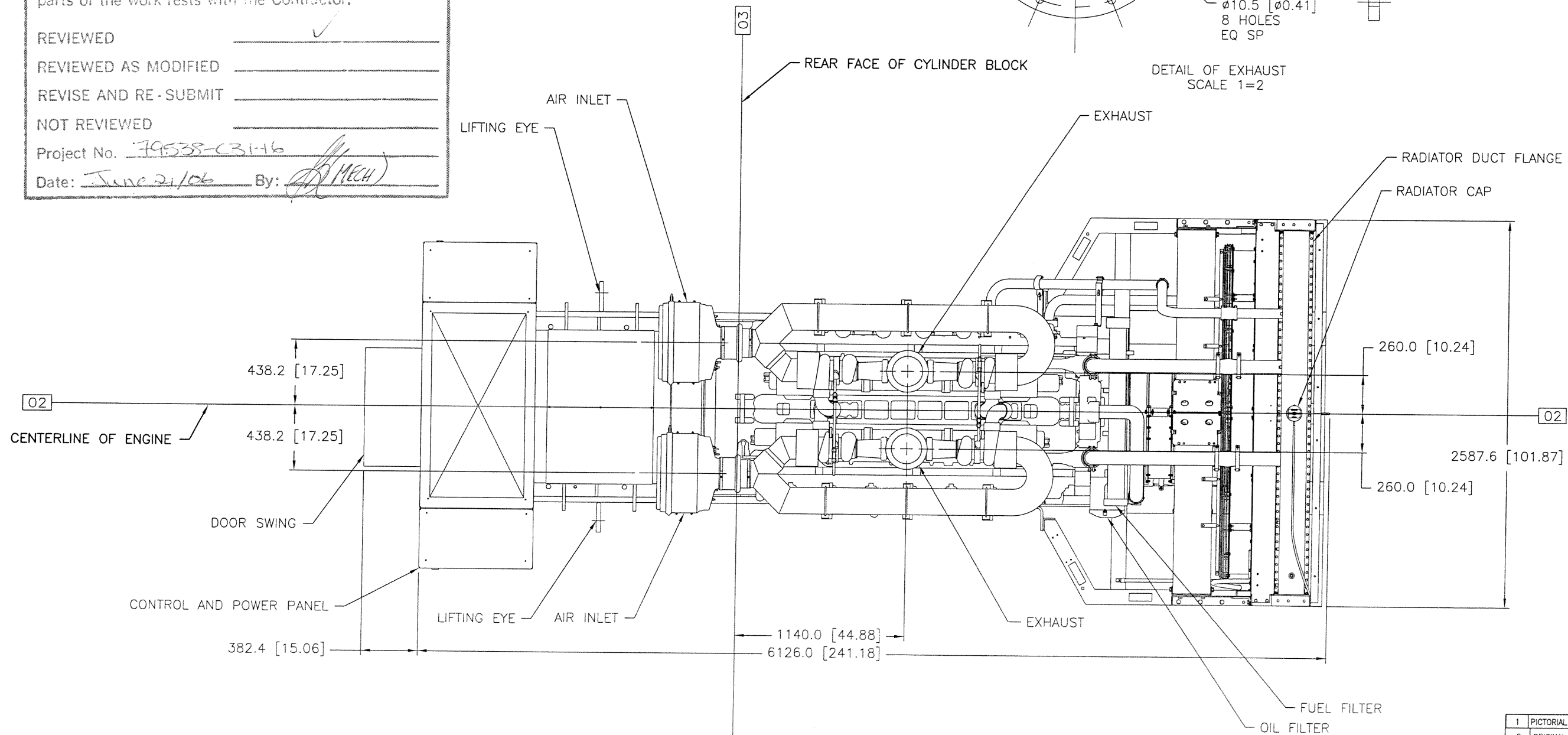
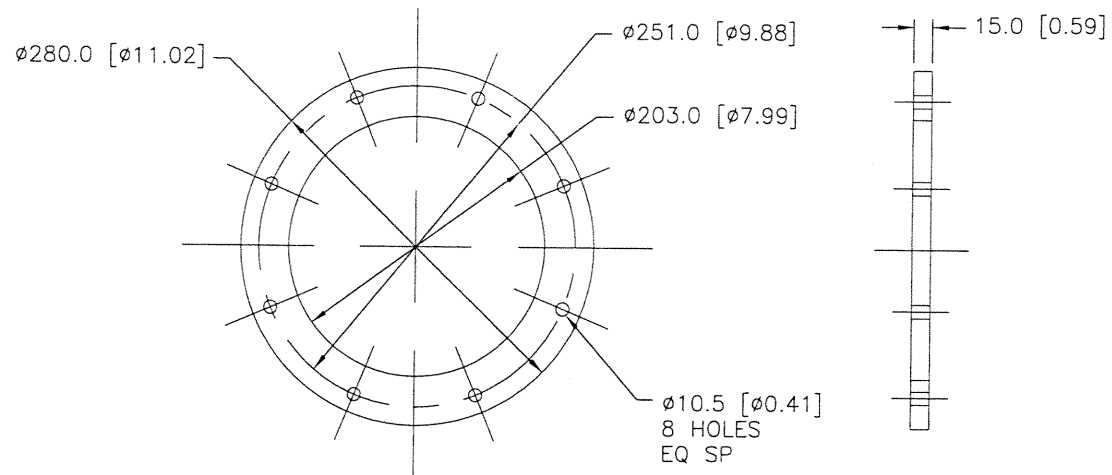
REVIEWED AS MODIFIED

REVISE AND RE-SUBMIT

NOT REVIEWED

Project No. 79538-C3146

Date: June 21/06 By: [Signature]

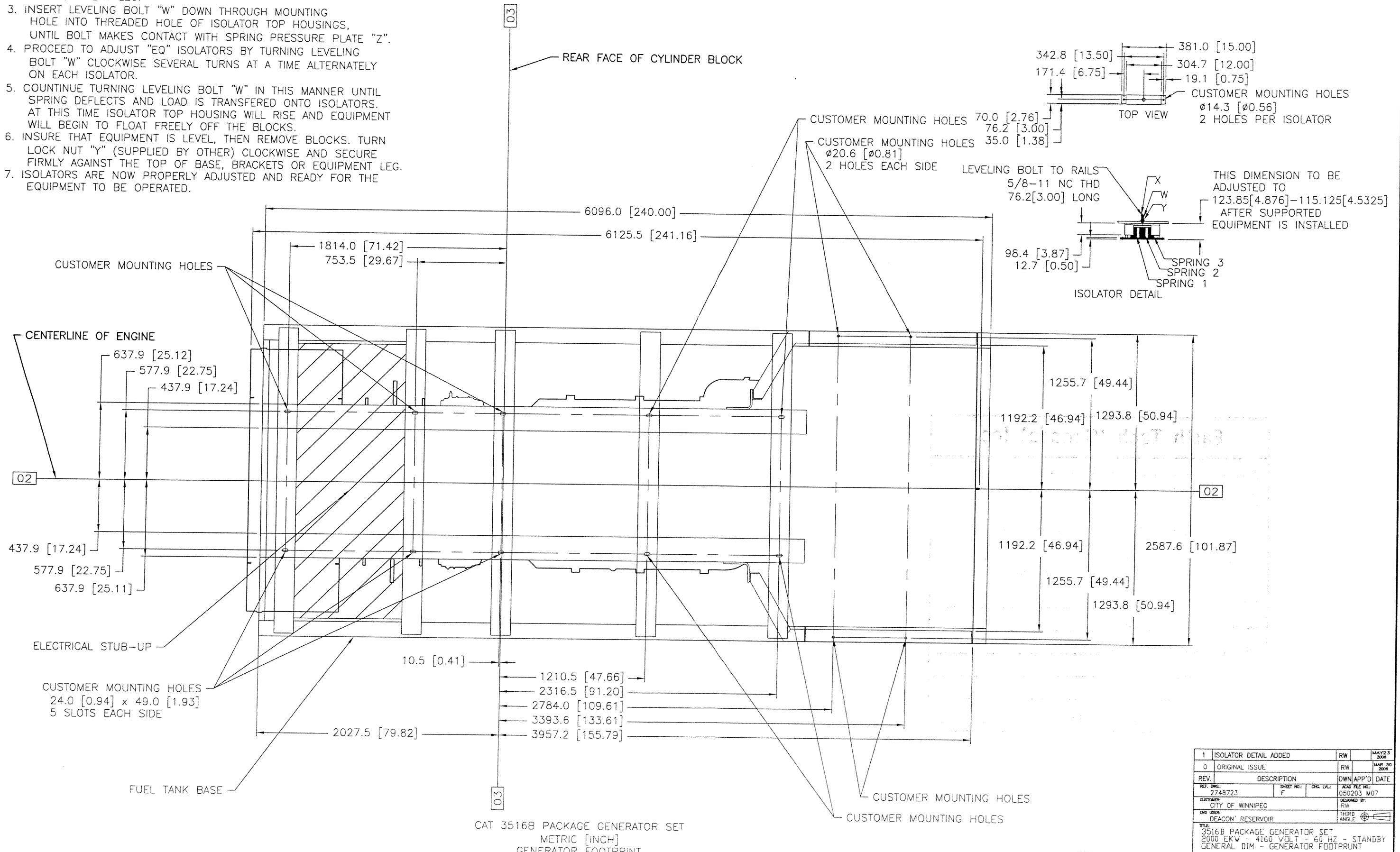


CAT 3516B PACKAGE GENERATOR SET
METRIC [INCH]
TOP VIEW GENERATOR ONLY

1	PICTORIAL CHANGE ONLY	RW	MAY 24 2006
0	ORIGINAL ISSUE	RW	MAR 30 2006
REV.	DESCRIPTION	DWN APP'D	DATE
REF. DWG:	2748723	SHEET NO.:	E
CUSTOMER:	CITY OF WINNIPEG	ACAD FILE NO.:	050203 M06
END USER:	DEACON RESERVOIR	DESIGNED BY:	RW
		THIRD ANGLE	
TITLE:		3516B PACKAGE GENERATOR SET	
		2000 KW - 4160 VOLT - 60 HZ	
		GENERAL DIM - TOP VIEW	

THIS DOCUMENT IS THE PROPERTY OF TOROMONT INDUSTRIES LTD AND CONTAINS INFORMATION THAT IS PRIVILEGED, PROPRIETARY AND/OR CONFIDENTIAL AND IS FOR THE USE OF THE INTENDED CUSTOMER AND END USER ONLY, AS IDENTIFIED IN THIS TITLE BLOCK.

- ELEVATE BASE OR EQUIPMENT TO OPERATING HEIGHT AND INSERT BLOCKS TO HOLD IN THIS POSITION.
- PLACE ISOLATORS ON A LEVEL SURFACE AND ALIGN WITH MOUNTING HOLES UNDER BASE, BRACKETS, OR EQUIPMENT LEG.
- INSERT LEVELING BOLT "W" DOWN THROUGH MOUNTING HOLE INTO THREADED HOLE OF ISOLATOR TOP HOUSINGS, UNTIL BOLT MAKES CONTACT WITH SPRING PRESSURE PLATE "Z".
- PROCEED TO ADJUST "EQ" ISOLATORS BY TURNING LEVELING BOLT "W" CLOCKWISE SEVERAL TURNS AT A TIME ALTERNATELY ON EACH ISOLATOR.
- COUNTINUE TURNING LEVELING BOLT "W" IN THIS MANNER UNTIL SPRING DEFLECTS AND LOAD IS TRANSFERED ONTO ISOLATORS. AT THIS TIME ISOLATOR TOP HOUSING WILL RISE AND EQUIPMENT WILL BEGIN TO FLOAT FREELY OFF THE BLOCKS.
- INSURE THAT EQUIPMENT IS LEVEL, THEN REMOVE BLOCKS. TURN LOCK NUT "Y" (SUPPLIED BY OTHER) CLOCKWISE AND SECURE FIRMLY AGAINST THE TOP OF BASE, BRACKETS OR EQUIPMENT LEG.
- ISOLATORS ARE NOW PROPERLY ADJUSTED AND READY FOR THE EQUIPMENT TO BE OPERATED.



CAT 3516B PACKAGE GENERATOR SET
METRIC [INCH]
GENERATOR FOOTPRINT

1	ISOLATOR DETAIL ADDED	RW	MAY 23 2006
0	ORIGINAL ISSUE	RW	MAR 30 2006
REV.	DESCRIPTION	OWN APP'D	DATE
REF. DWG.	2748723	SHEET NO.	050203 M07
CUSTOMER	CITY OF WINNIPEG	CHK. LVL.	DESIGNED BY: RW
DWG USER:	DEACON RESERVOIR	THIRD ANGLE	
TITLE: 3516B PACKAGE GENERATOR SET 2000 KW - 4160 VOLT - 60 HZ - STANDBY GENERAL DIM - GENERATOR FOOTPRINT			
TOROMONT CAT Power Systems		SCALE: N.T.S.	SHEET: 1 of 1
DWG NO: 050203 M07			

THIS DOCUMENT IS THE PROPERTY OF TOROMONT WINNIPEG LTD. AND CONTAINS INFORMATION THAT IS UNPUBLISHED, PROPRIETARY AND/OR CONFIDENTIAL. AND IS FOR THE USE OF THE INDICATED CUSTOMER AND IS TO BE USED ONLY AS IDENTIFIED IN THIS TITLE BLOCK.

Earth Tech (Canada) Inc.

Reviewed for general conformance with design intent.
Responsibility for detailed design in the shop drawings
rests with the Contractor.

Responsibility for verification and correlation of field
dimensions, fabrication process, techniques of
construction, installation and coordination of all
parts of the work rests with the Contractor.

REVIEWED _____

REVIEWED AS MODIFIED _____

REVISE AND RE-SUBMIT _____

REVIEWED _____

No. 79538-C31-16

June 21/96 By: (MECH)

Earth Tech (Canada) Inc.

Reviewed for general conformance with design intent. Responsibility for detailed design in the shop drawings rests with the Contractor.

Responsibility for verification and correlation of field dimensions, fabrication process, techniques of construction, installation and coordination of all parts of the work rests with the Contractor.

REVIEWED

REVIEWED AS MODIFIED

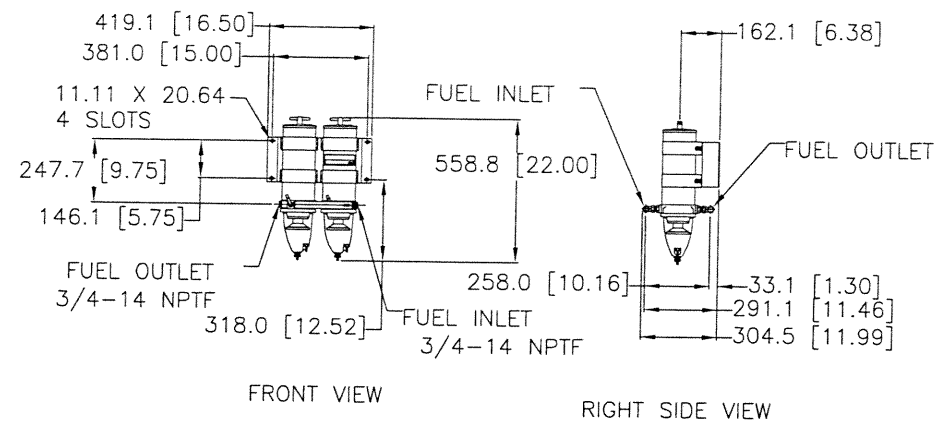
REVISE AND RE-SUBMIT

NOT REVIEWED

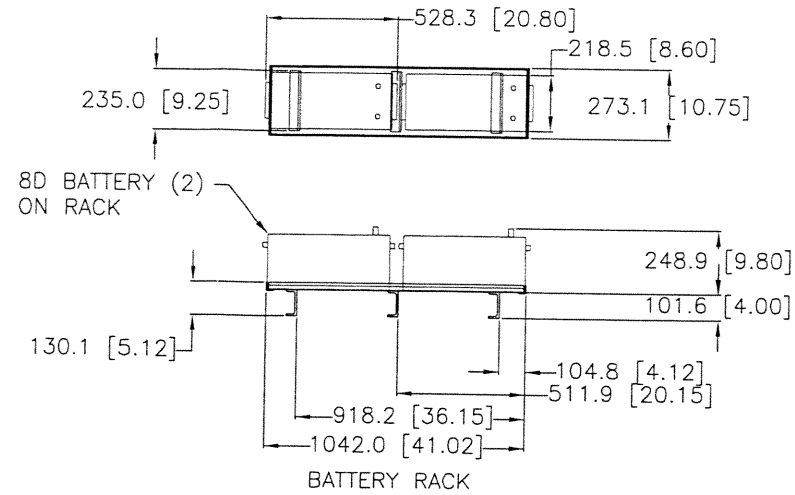
Project No. 79538-C31-16

Date: June 21/06

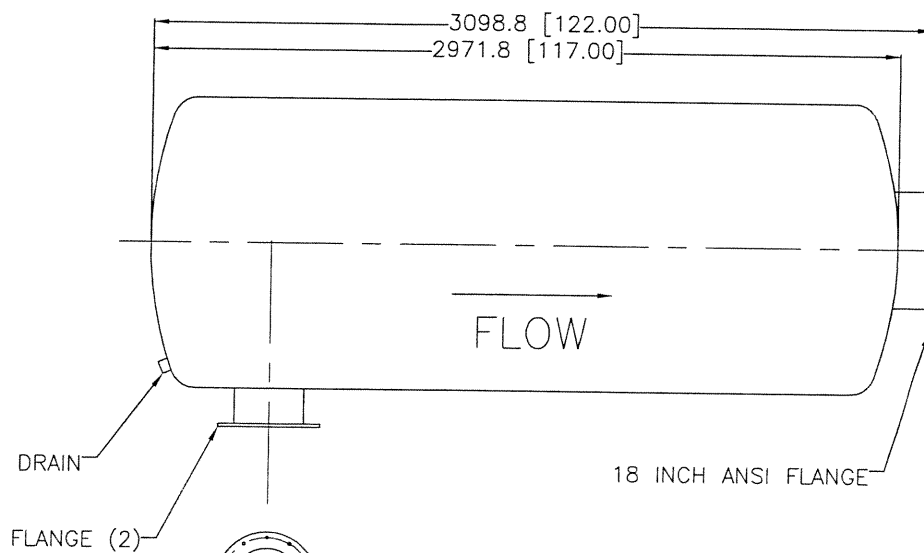
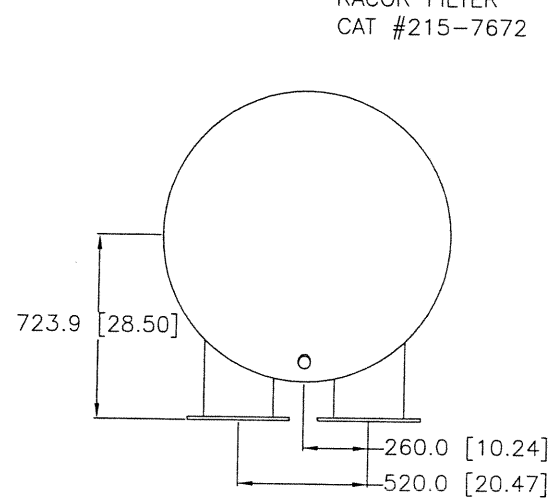
[Signature]



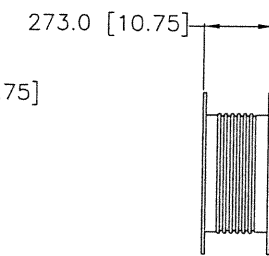
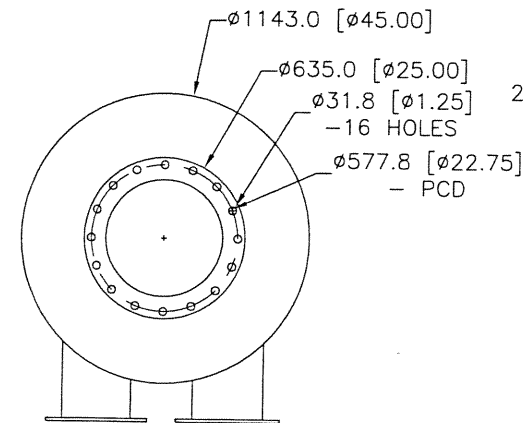
RACOR FILTER
CAT #215-7672



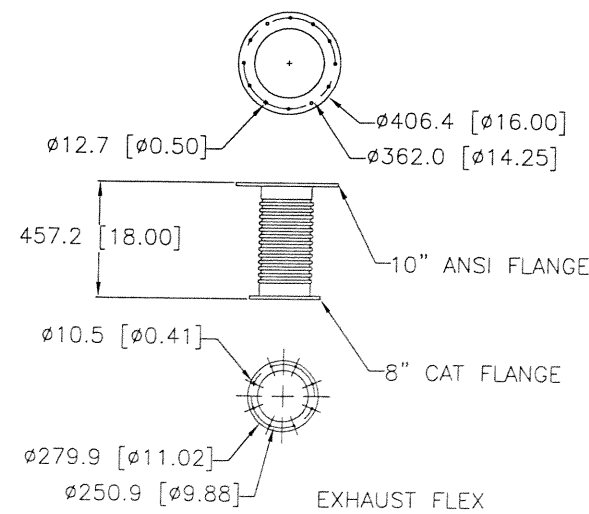
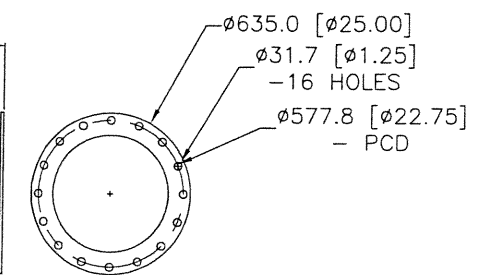
BATTERY RACK



18 INCH ANSI FLANGE



EXHAUST FLEX



EXHAUST FLEX

SILENCER JB (CRITICAL GRADE)

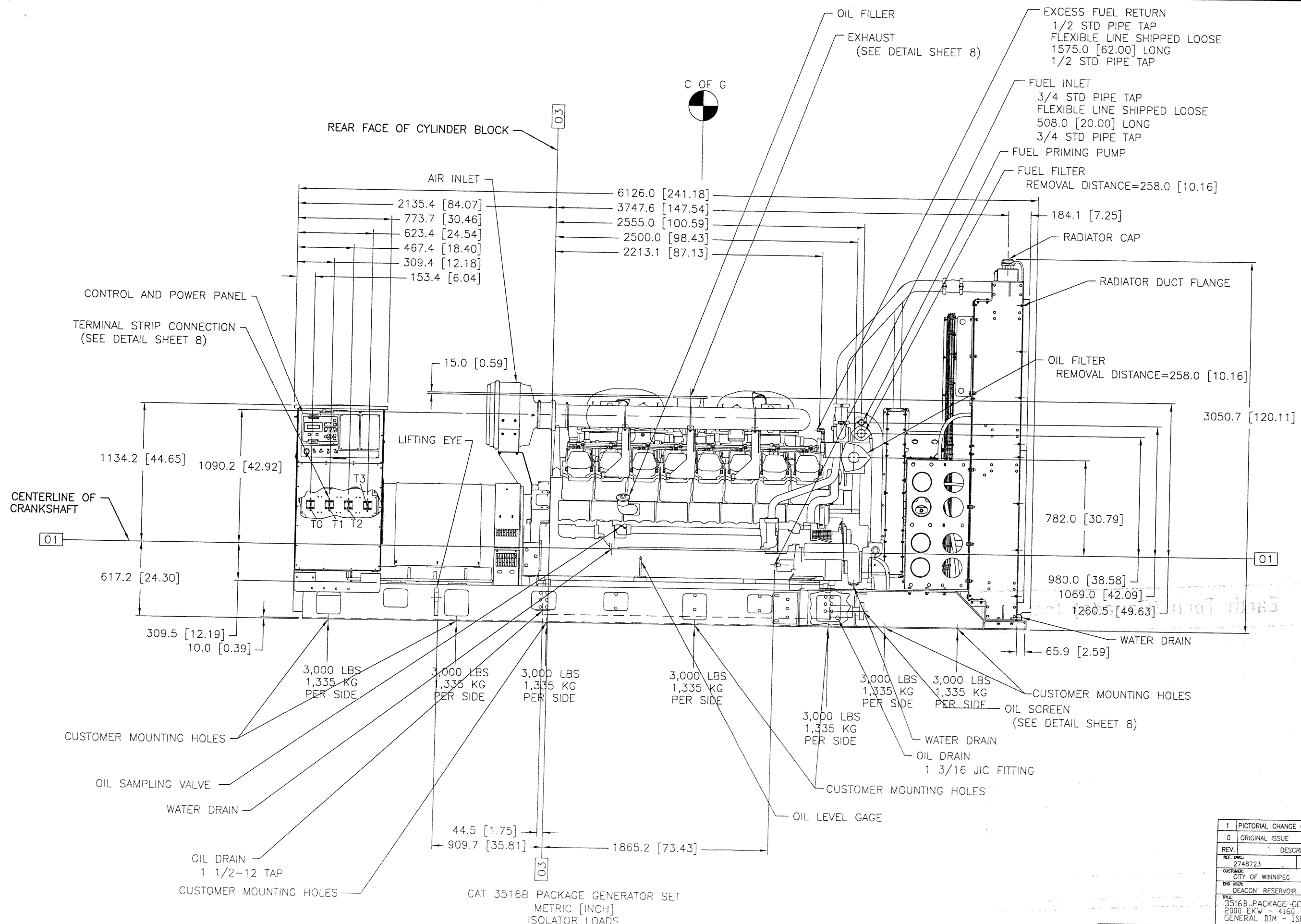
FREQUENCY	63	125	250	500	1K	2K	4K	8K
ATTENUATION	20	32	31	25	20	20	20	20

ESTIMATED BACK PRESSURE FROM SILENCER ONLY 10 INCHES WG
NOTE MAXIMUM TOTAL BACKPRESSURE PERMITTED ON ENGINE IS 26.9 INCHES WG
MAXIMUM RECOMMENDED BACKPRESSURE 20 TO 22 INCHES WG.
ESTIMATED WEIGHT OF SILENCER 716 KG (1579 LBS)
INSTALLATION BY OTHERS

1	PICTORIAL CHANGE ONLY	RW	MAY 24 2006
0	ORIGINAL ISSUE	RW	MAR 30 2006
REV.	DESCRIPTION	OWN APP'D	DATE
REF. DWG:	2157672	SHEET NO.:	A
ACAD FILE NO.:	050203 M08	DESIGNED BY:	RW
CUSTOMER:	CITY OF WINNIPEG	THIRD ANGLE	
DWG USER:	DEACON RESERVOIR		
TITLE:	3516B PACKAGE GENERATOR SET 2000 EKW - 4160 VOLT - 60 HZ GENERAL DIM - SHIPPED LOOSE ITEMS		

THIS DOCUMENT IS THE PROPERTY OF TOROMONT INDUSTRIES LTD. AND CONTAINS INFORMATION THAT IS PRIVILEGED, PROPRIETARY AND/OR CONFIDENTIAL AND IS FOR THE USE OF THE INTENDED CUSTOMER AND END USER ONLY, AS IDENTIFIED IN THIS BLOCK.

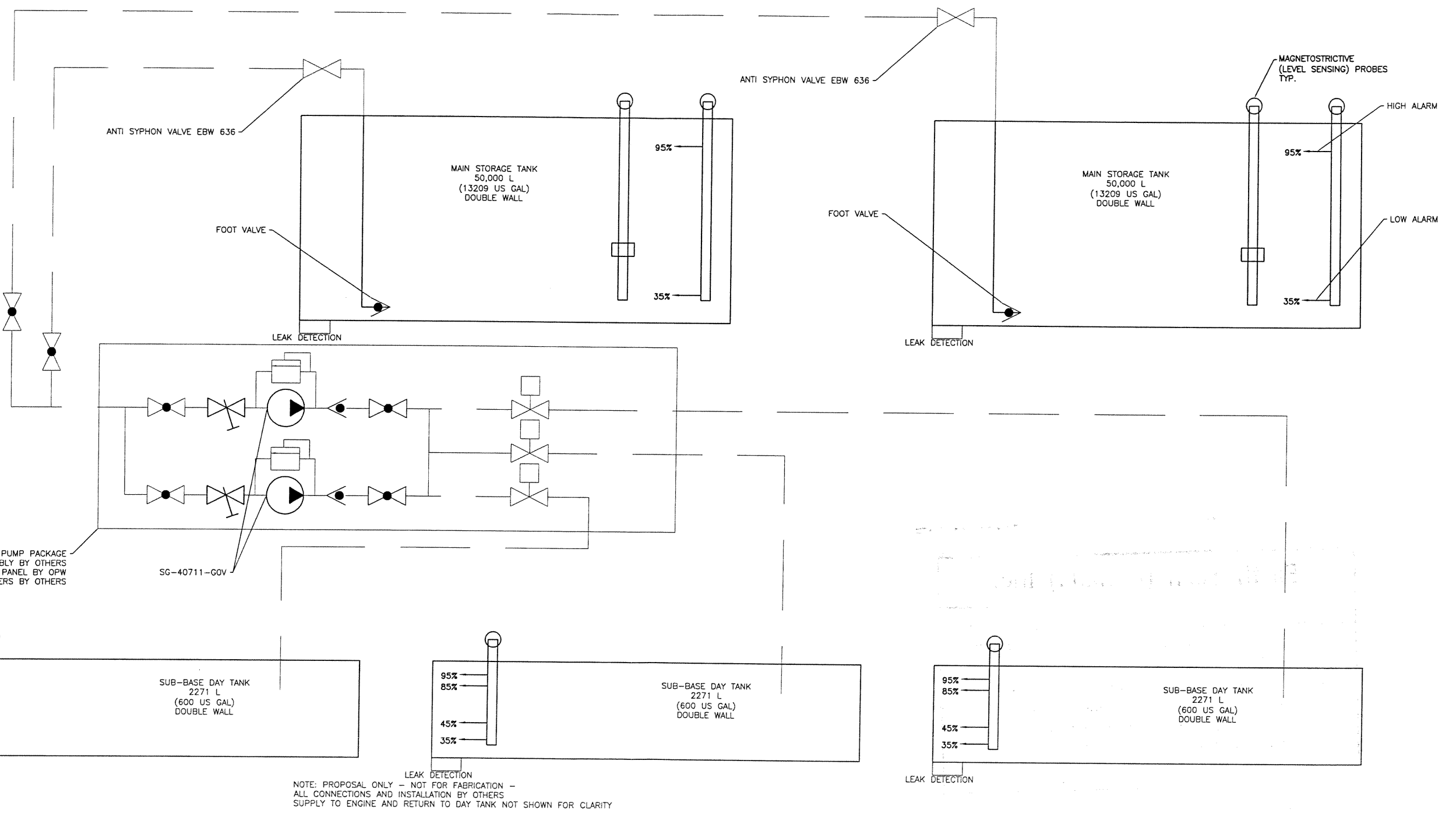
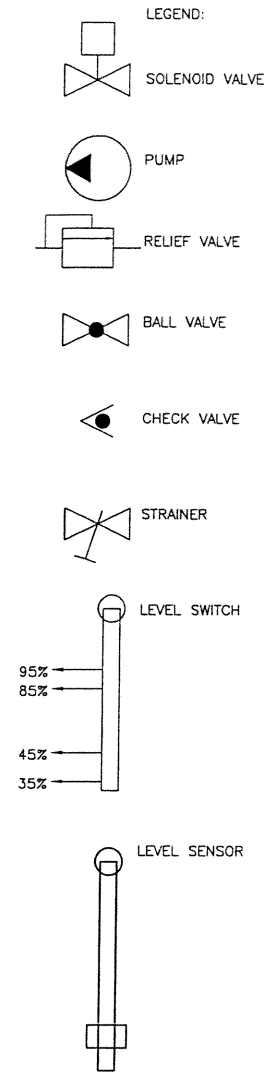
TOROMONT CAT
Power Systems
SCALE: N.T.S.
SHEET: 1 of 1
DWG NO.: 050203 M08



CAT 3516B PACKAGE GENERATOR SET
 METRIC [INCH]
 ISOLATOR LOADS

1	PICTORIAL CHANGE ONLY	RW	MAY 24 2006
0	ORIGINAL ISSUE	RW	MAR 21 2006
REV.	DESCRIPTION	DWN/APP'D	DATE
2748723	A		
CITY OF WINNIPEG	DESIGNED BY:		
DEACON RESERVOIR	THIRD ANGLE		
TITLE: 3516B PACKAGE GENERATOR SET		SCALE: N.T.S.	SHEET: 1 of 1
2000 EKW - 4160 VOLT - 60 HZ			
GENERAL DIM - ISOLATOR LOADS			
TOROMONT Power Systems		DWG NO: 050203 M10	

THIS DOCUMENT IS THE PROPERTY OF TOROMONT INDUSTRIES LTD AND CONTAINS INFORMATION THAT IS PRIVILEGED, PROPRIETARY AND/OR CONFIDENTIAL, AND IS FOR THE USE OF THE INTENDED CUSTOMER AND END USER ONLY. AS IDENTIFIED BY THIS TITLE BLOCK.



1	PICTORIAL CHANGE ONLY	RW	MAY 24 2008
0	ORIGINAL ISSUE	RW	APR 10 2008
REV.	DESCRIPTION	DWN APP'D	DATE
REF. DWG.	SHEET NO.	CHK. LVL.	ACAD FILE NO. 050203 M11-1
CUSTOMER	CITY OF WINNIPEG	DESIGNED BY:	RW
END USER	DEACON RESERVOIR	THIRD ANGLE	
TITLE	3516B PACKAGE GENERATOR SET 2000 EKW - 4160 VOLT - 60 HZ GENERAL DIM - FUEL SUPPLY SCHEMATIC		
SCALE	N.T.S.	SHEET	1 of 1
TOROMONT Power Systems		DWG NO.	050203 M11-1

THIS DOCUMENT IS THE PROPERTY OF TOROMONT INDUSTRIES LTD. AND CONTAINS INFORMATION THAT IS UNCLASSIFIED, PROPRIETARY AND/OR CONFIDENTIAL AND IS FOR THE USE OF THE INTENDED CUSTOMER AND END USER ONLY, AS IDENTIFIED IN THIS TITLE BLOCK.

Earth Tech (Canada) Inc.

Reviewed for general conformance with design intent.
Responsibility for detailed design in the shop drawings
rests with the Contractor.

Responsibility for verification and correlation of field
dimensions, fabrication process, techniques of
construction, installation and coordination of all
parts of the work rests with the Contractor.

REVIEWED _____

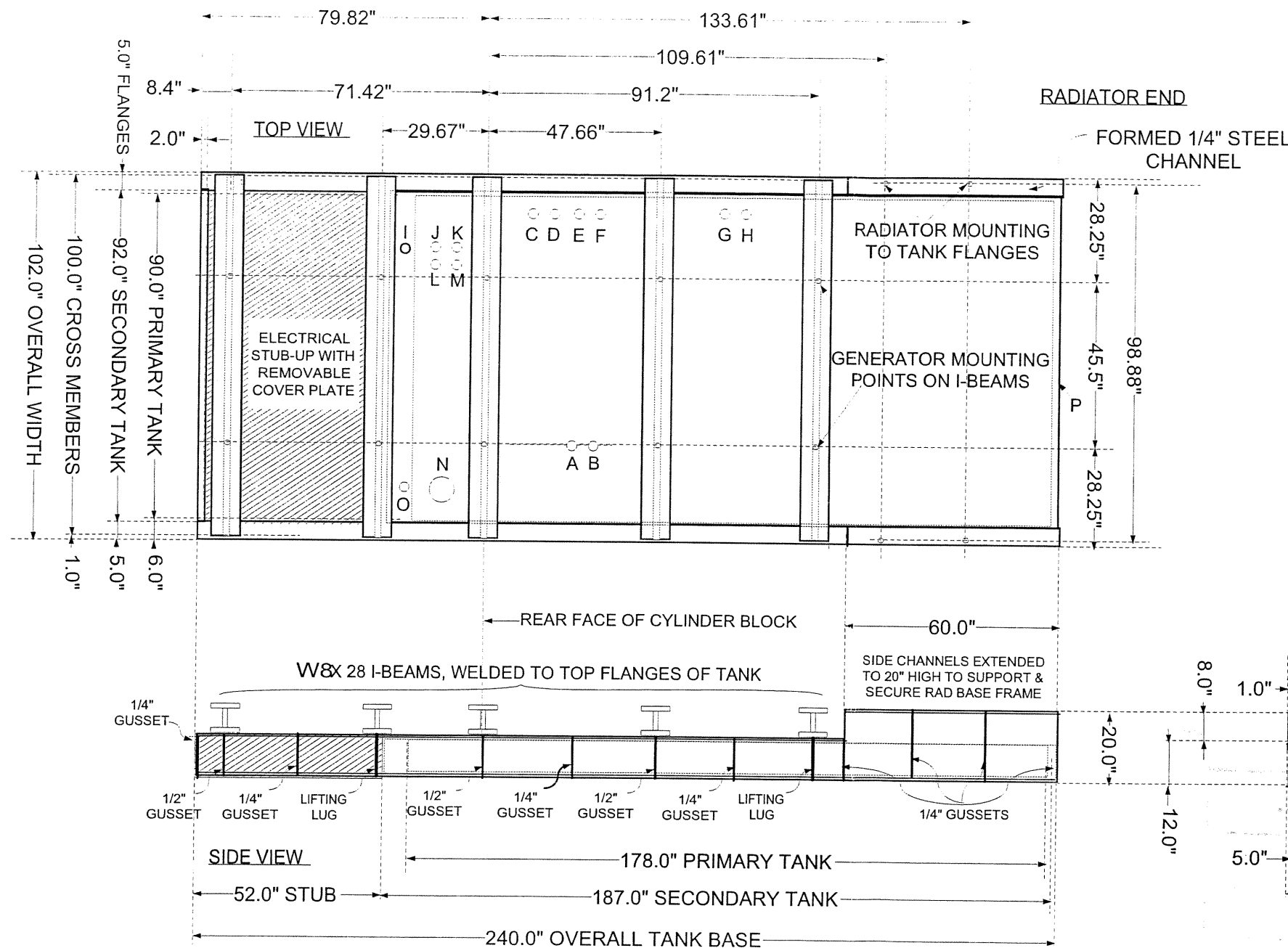
REVIEWED AS MODIFIED _____

REVISE AND RE-SUBMIT _____

NOT REVIEWED _____

Project No. 79538-C31-16

Date: June 21/06 By: (MECH)



TANK FITTINGS		
#	SIZE	DESCRIPTION
A	2" NPT	FUEL SUPPLY TO GENERATOR
B	2" NPT	FUEL RETURN FROM GENERATOR
C	2" NPT	MANUAL TANK FILL
D	2" NPT	PRIMARY TANK VENT/WHISTLE
E	1 1/2" NPT	MECHANICAL FUEL GAUGE
F	2" NPT	SPARE
G	2" NPT	FUEL RETURN TO MAIN TANK
H	1 1/2" NPT	FUEL SUPPLY FROM MAIN TANK
I	1 1/2" NPT	INTERSTITIAL LEAK DETECTOR
J	2" NPT	CRITICAL LOW LEVEL SHUTDOWN/ALARM
K	2" NPT	LOW LEVEL - PUMP ON
L	2" NPT	HIGH LEVEL - PUMP OFF
M	2" NPT	CRITICAL HIGH LEVEL/ALARM
N	1 1/4" NPT	INTERSTITIAL VENT
O	6" NPT	EMERGENCY PRESSURE RELIEF VENT
P	3/8" NPT	INTERSTITIAL DRAIN

NOTE: EXACT FITTING LOCATIONS TO BE DETERMINED AT TIME OF PURCHASE ORDER

SPECIAL NOTE:

THIS DESIGN IS THE CONFIDENTIAL PROPERTY OF PREMIER III TANK AND TRAILER INC, FOR USE BY PREMIER III TANK AND TRAILER INC CUSTOMERS FOR SUBMITTAL PURPOSES ONLY AND BY PREMIER III TANK AND TRAILER INC SUPPLIERS FOR PURPOSES OF TENDERING PRICING AND/OR MANUFACTURING SUBJECT TO PREMIER III TANK AND TRAILER INC WRITTEN APPROVAL. COPYRIGHT PREMIER III TANK AND TRAILER INC, 2006.

PREMIER III TANK & TRAILER INC. 35 SINCLAIR AVENUE., GEORGETOWN, ONT., CANADA L7G 1J3 TEL: 905-702-9299 TOLL FREE: 1-888-554-5530 FAX: 905-702-0880 E-MAIL: sales@premiertank.com 600 U.S. GALLON, DOUBLE WALL (CLOSED TOP DIKED), SUB-BASE DIESEL FUEL TANK ULULC C-142.18 FOR CATERPILLAR 3516B	STEEL	PRIMARY	SECONDARY	BAFFLES		TANK	PROJECT
	BOTTOM	1/8"	1/4"	QUANTITY	6	CLOSED TOP DIKE	TOROMONT-CAT
	SIDES/CHANNELS/GUSSETS	1/8"	1/4"	MATERIAL	1/8"	DRY WEIGHT: 6300 LB.	FITTING SIZES REVISED MAY 5, 2006
	ENDS	1/8"	1/4"	DRAWN BY	TG	600 US GALLONS	J-511
	TOP	3/16"	3/16"	DATE	04/17/06	QUANTITY: 3	

Earth Tech (Canada) Inc.

Reviewed for general conformance with design intent.
Responsibility for detailed design in the shop drawings
rests with the Contractor.

Responsibility for verification and correlation of field
dimensions, fabrication process, techniques of
construction, installation and coordination of all
parts of the work rests with the Contractor.

REVIEWED

REVIEWED AS MODIFIED

REVISE AND RE-SUBMIT

NOT REVIEWED

Project No. 79538-C31-16

Date: June 2/06 By: (Signature) MECH