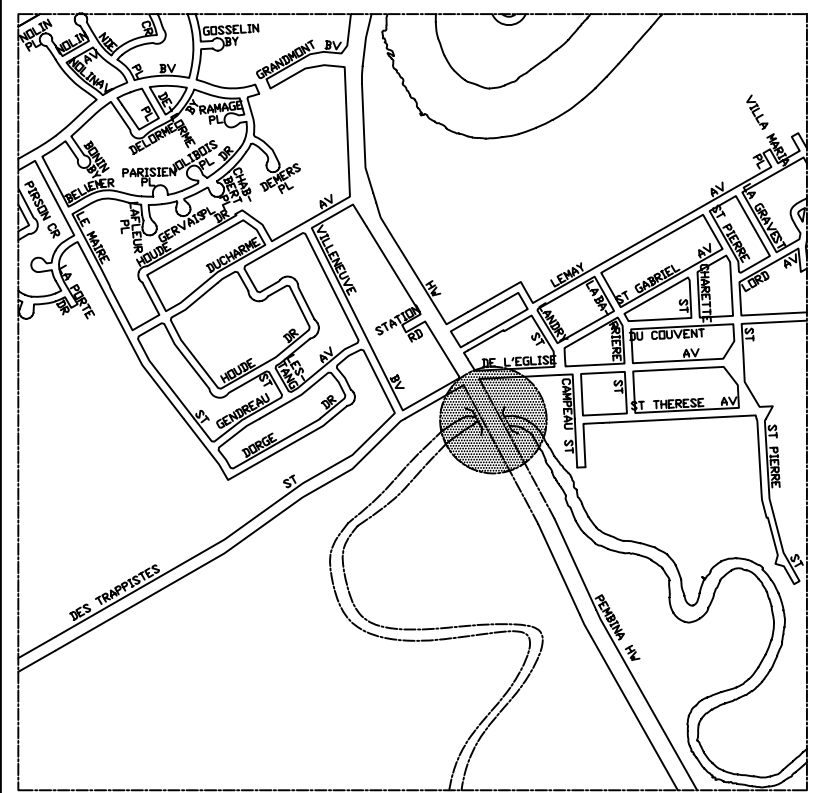


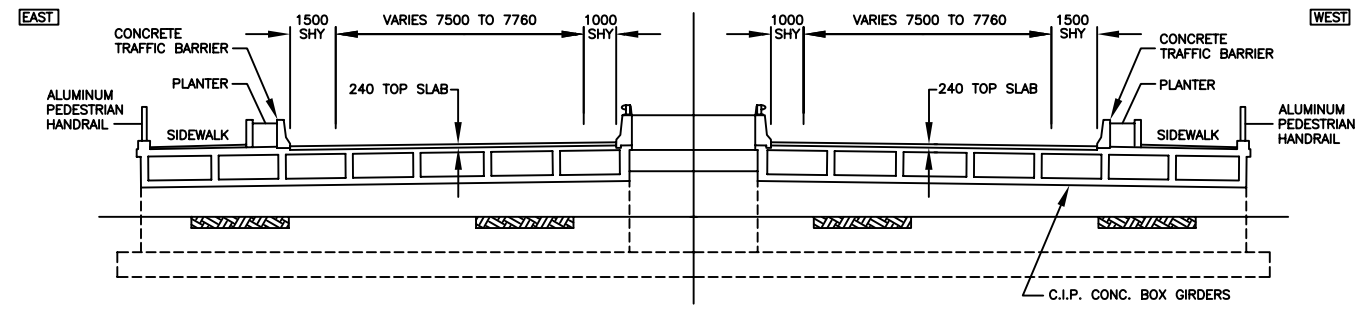
- AREA OF NON-SKID POLYMER WEARING SURFACE TO BE REPLACED
- AREA OF EXISTING NON-SKID POLYMER WEARING SURFACE (APPLIED IN 2003)

DECK LAYOUT

N.T.S.



LOCATION PLAN



TYPICAL CROSS SECTION

N.T.S.

- NOTES:**
 1. APPROXIMATE QUANTITY TO REPLACE = 370 sqm

NOTE:	B.M. ELEV. <table border="1" style="width: 100%; height: 100px;"> <tr><td> </td><td> </td><td> </td><td> </td></tr> <tr><td> </td><td> </td><td> </td><td> </td></tr> <tr><td> </td><td> </td><td> </td><td> </td></tr> <tr><td> </td><td> </td><td> </td><td> </td></tr> <tr><td> </td><td> </td><td> </td><td> </td></tr> <tr><td> </td><td> </td><td> </td><td> </td></tr> <tr><td> </td><td> </td><td> </td><td> </td></tr> <tr><td> </td><td> </td><td> </td><td> </td></tr> <tr><td> </td><td> </td><td> </td><td> </td></tr> <tr><td> </td><td> </td><td> </td><td> </td></tr> <tr><td> </td><td> </td><td> </td><td> </td></tr> </table>																																													DESIGNED BY: B.A.N. DRAWN BY: M.R.T. CHECKED BY: B.A.N. APPROVED BY: B.A.N. AUTHORIZED BY:	METRIC <small>WHOLE NUMBERS INDICATE MILLIMETRES DECIMALIZED NUMBERS INDICATE METRES</small> 	CITY OF WINNIPEG PUBLIC WORKS DEPARTMENT ENGINEERING DIVISION PEMBINA HIGHWAY BRIDGE OVER LA SALLE RIVER BRIDGE DECK SURFACE SEALING REPAIRS	SHEET 1 OF 2 HORIZONTAL: N.T.S. VERTICAL: N.T.S.
	1 INCREASE REPLAC'MT QUANTITY 06/06/21 M.R.T. NO. REVISION DATE BY	B.A. NEIRINCK BRIDGE PLANNING & OPERATIONS ENGINEER	BID OPPORTUNITY NO.: 388-2006	PLAN & SECTION	CITY DRAWING NUMBER: B224-06-01																																												