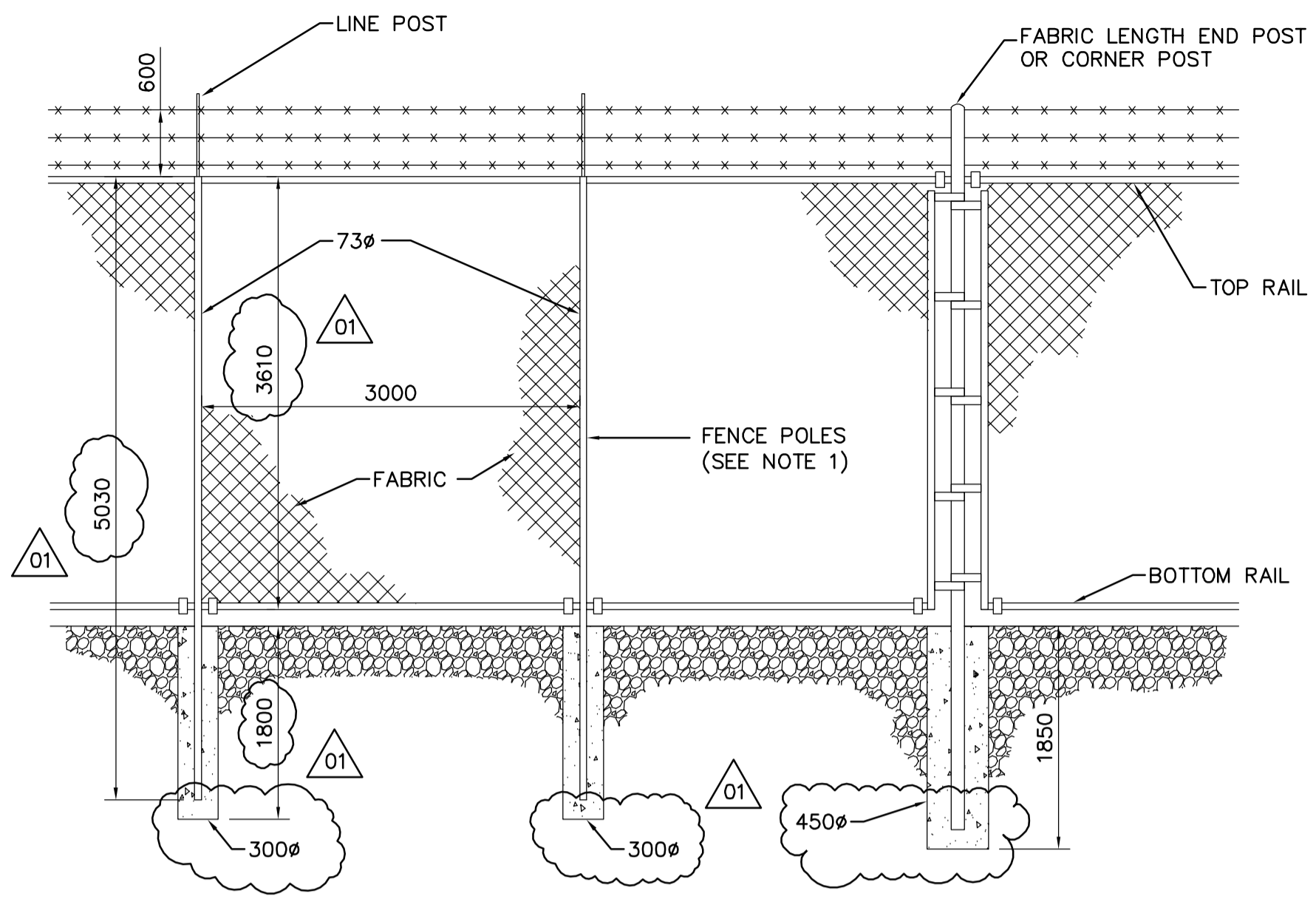
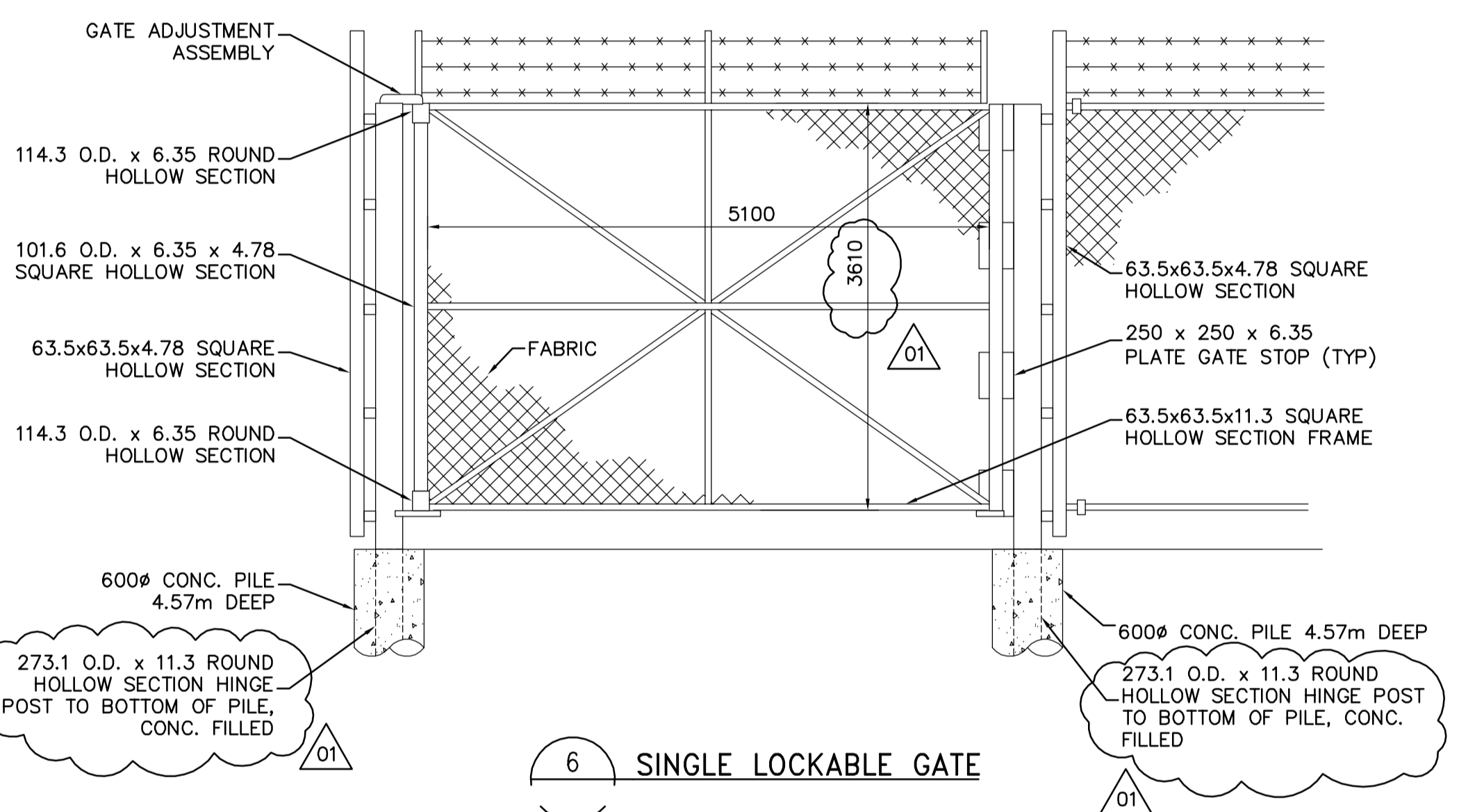


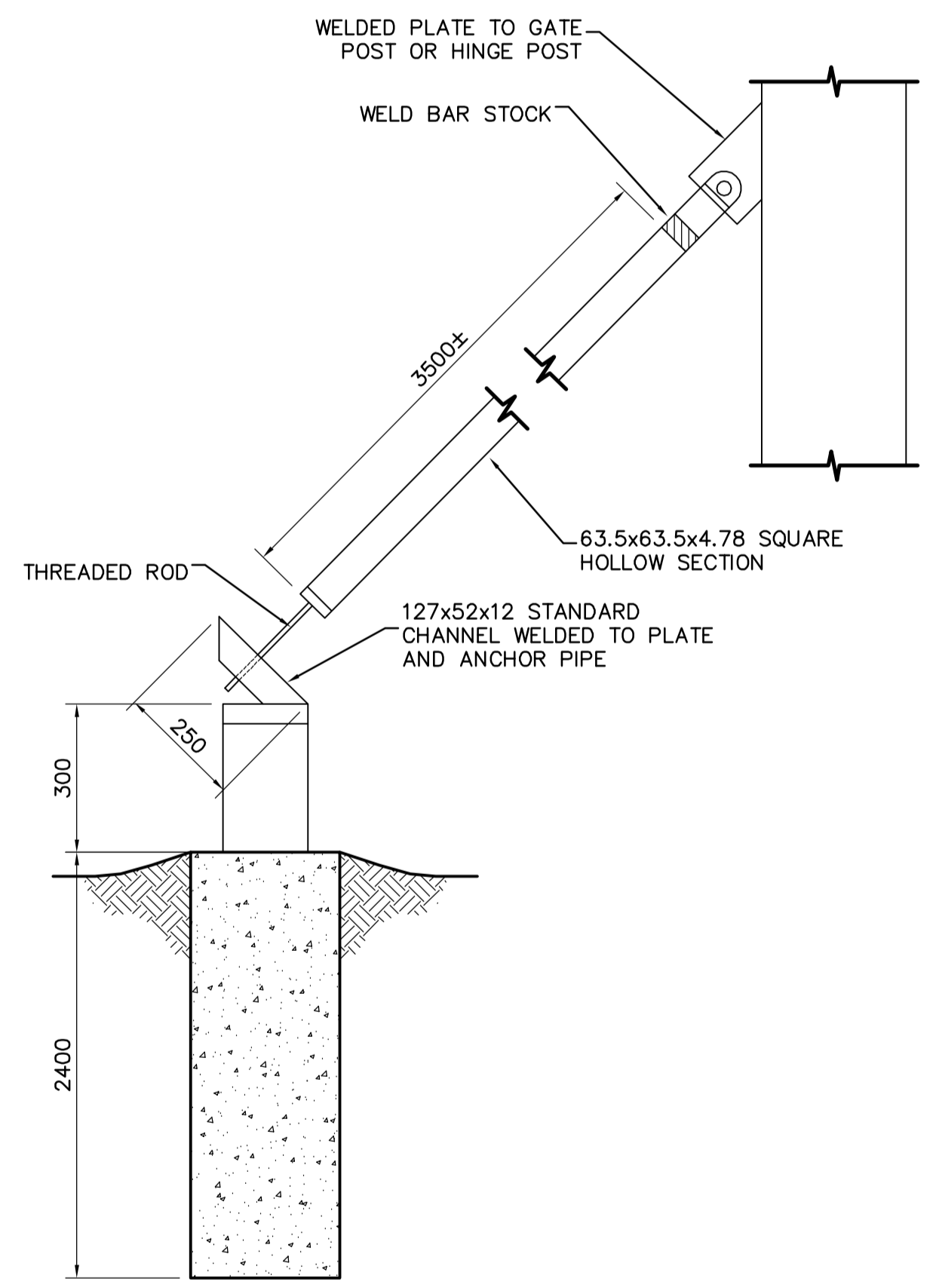
1 DOUBLE LOCKABLE GATE



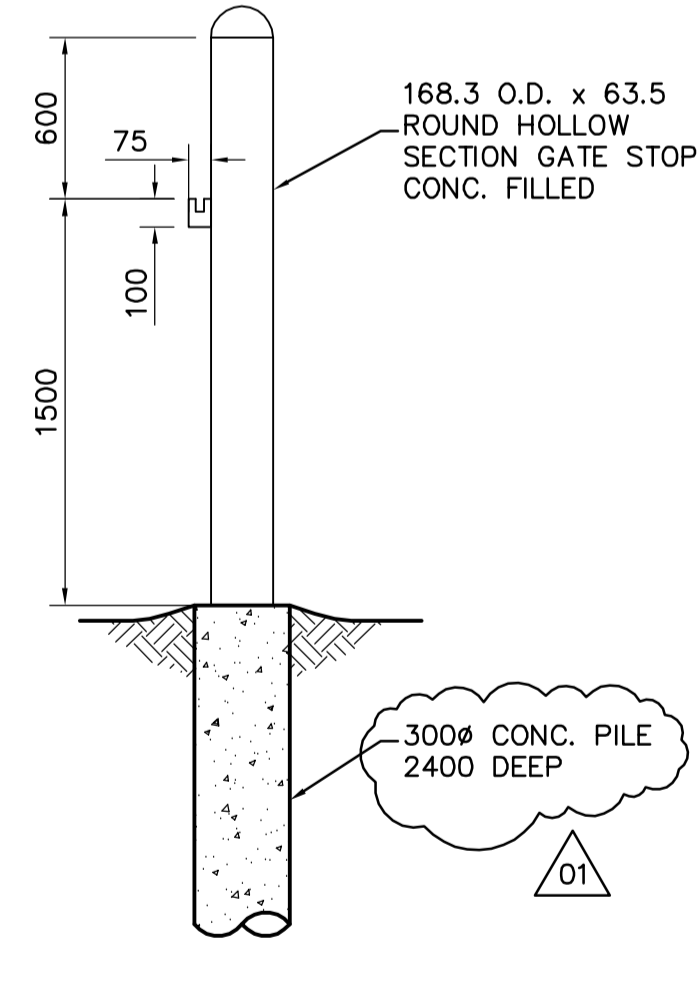
2 FENCE DETAILS



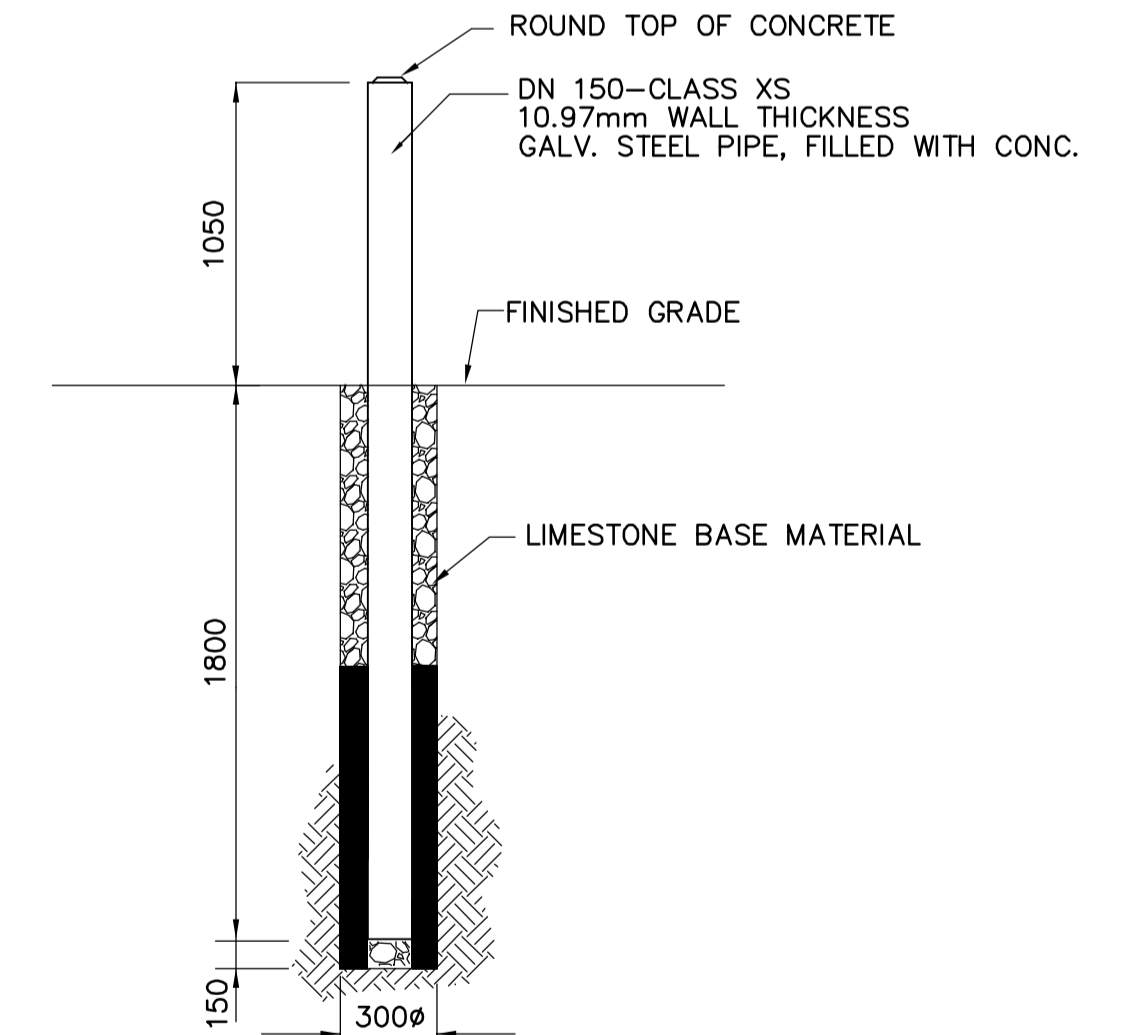
6 SINGLE LOCKABLE GATE



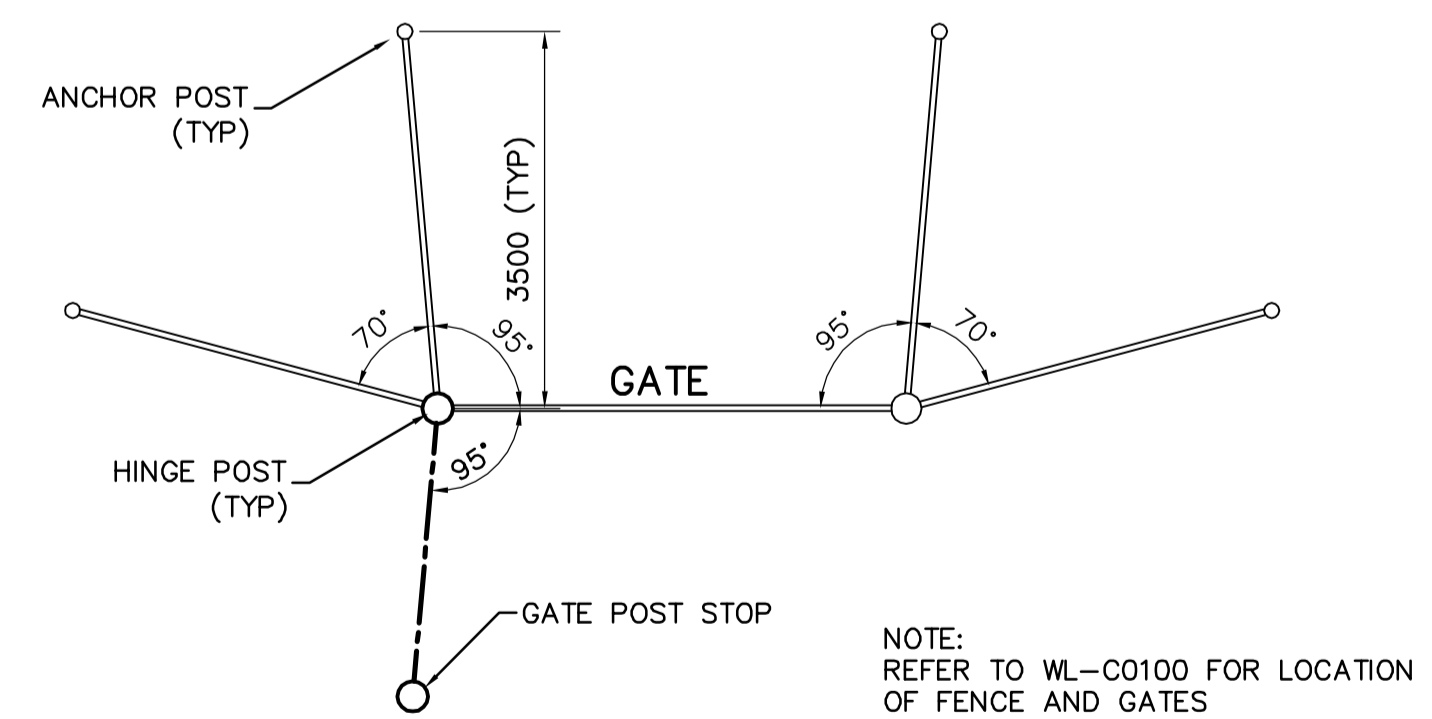
5 ANCHOR DETAILS



4 GATE STOP DETAIL



7 BOLLARD DETAIL



3 PLAN OF ANCHOR AND GATE STOP LOCATIONS

FENCING:

1. NEW 3660mm HIGH FENCING SHALL BE SIMILAR IN QUALITY AND APPEARANCE AS EXISTING DEACON RESERVOIR CELL 3 FENCING.
2. EXCEPT SPECIFIED OTHERWISE, FENCING SHALL BE PROVIDED IN ACCORDANCE WITH CW3550.
3. THE 3660mm HIGH FENCING SHALL BE PROVIDED WITH THE FOLLOWING SPECIFICATIONS:
 - 3.1 TOP RAILS: SCHEDULE 40 HOT DIP GALVANIZED STEEL PIPE, IN 6.1m LENGTHS, NOT LESS THAN 43mm OUTSIDE DIAMETER.
 - 3.2 BOTTOM RAILS: SCHEDULE 40 HOT DIP GALVANIZED STEEL PIPE, NOT LESS THAN 43mm OUTSIDE DIAMETER.
 - 3.3 FABRIC SHALL BE No. 9 GAUGE STEEL WIRE WOVEN INTO A UNIFORM 50mm DIAMOND PATTERN MESH AS SPECIFIED IN CITY OF WINNIPEG STANDARD CONSTRUCTION SPECIFICATIONS CW 3550-R2
 - 3.4 FABRIC SHALL BE ZINC COATED BEFORE WEAVING BY THE HOT DIP PROCESS TO AN AVERAGE MASS PER UNIT AREA OF NOT LESS THAN 490g/m².
 - 3.5 FABRIC SHALL BE FREE OF EXCESSIVE ROUGHNESS, BLISTERS, SAL AMMONIAC SPOTS, BRUISES, OR FLAKING.
 - 3.6 TENSION BANDS SHALL BE AS SPECIFIED IN CW3550-R2 AND WITH A MAXIMUM SPACING OF 380mm ON TERMINAL POSTS.
4. PROVIDE BARBED WIRE TO THE TOP OF ALL 3660mm HIGH FENCING TO MATCH EXISTING BARBED WIRE FENCING.
5. FENCING SHALL BE STEPPED IF NECESSARY TO ACCOMMODATE UNEVEN GROUND.
6. FENCE POLE LENGTHS TO BE EXTENDED AT DITCH CROSSING LOCATION TO SUIT GROUND LEVELS. TOP OF FENCE AND POST TO POST DIMENSIONS REMAIN AS PER DETAIL 2. VOID BELOW BOTTOM RAIL AND FINISHED GROUND LEVEL TO BE CLOSED USING A MESH OF 13mm DIAMETER GALVANIZED STEEL RODS AT 150mm BOTH WAYS. (GALVANIZED AFTER WELDING)
7. CONNECTIONS TO THE EXISTING FENCE SHALL BE MADE AT POSTS.
8. BRACE FENCING AS REQUIRED.

FENCE POSTS:

9. TERMINAL POSTS AND GATE POSTS SHALL BE INSTALLED WITH CONCRETE PILES AS SHOWN.

APECA
Certificate of Authorization
Earth Tech Canada Inc.
No. 730 Expiry: April 30, 2006

NO.	REVISIONS	DATE	BY
01	34-2006 ADDENDUM 2	06/04/07	JBC
00	ISSUED FOR TENDER	06/03/07	JBC

CH2M HILL
Frederickson Cooper ARCHITECTS

EarthTech
A Tyco International Ltd. Company

DESIGNED BY	SM	CHECKED BY	SRB
DRAWN BY	JBC	APPROVED BY	DJT
SCALE:	NTS	RELEASED FOR CONSTRUCTION BY:	R. SOROKOWSKI
DATE	2005/12/23	DATE	06/03/07

ENGINEER'S SEAL

ORIGINAL SIGNED BY
S.R. BILEVICIUS
2006/03/07

CONSULTANT DRAWING NO.
WL-C0452

THE CITY OF WINNIPEG
WATER AND WASTE DEPARTMENT
ENGINEERING DIVISION

WATER TREATMENT PLANT
CONSTRUCTION OF DEWATERING CELLS

CIVIL
STANDARD DETAILS
SHEET 2

CITY FILE NUMBER	
SHEET	OF
CITY DRAWING NUMBER	1-0601L-A-C0452-001-01D