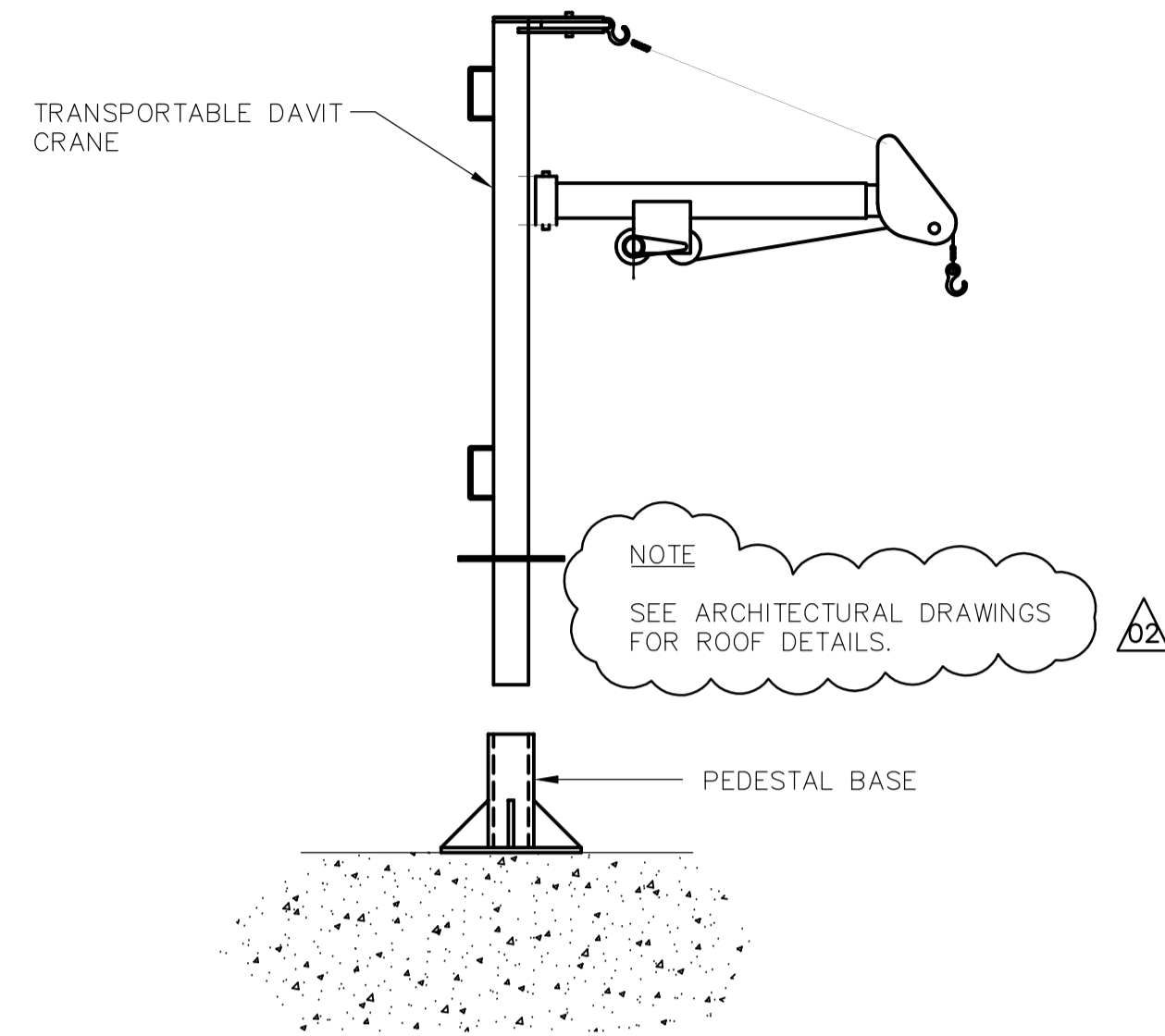
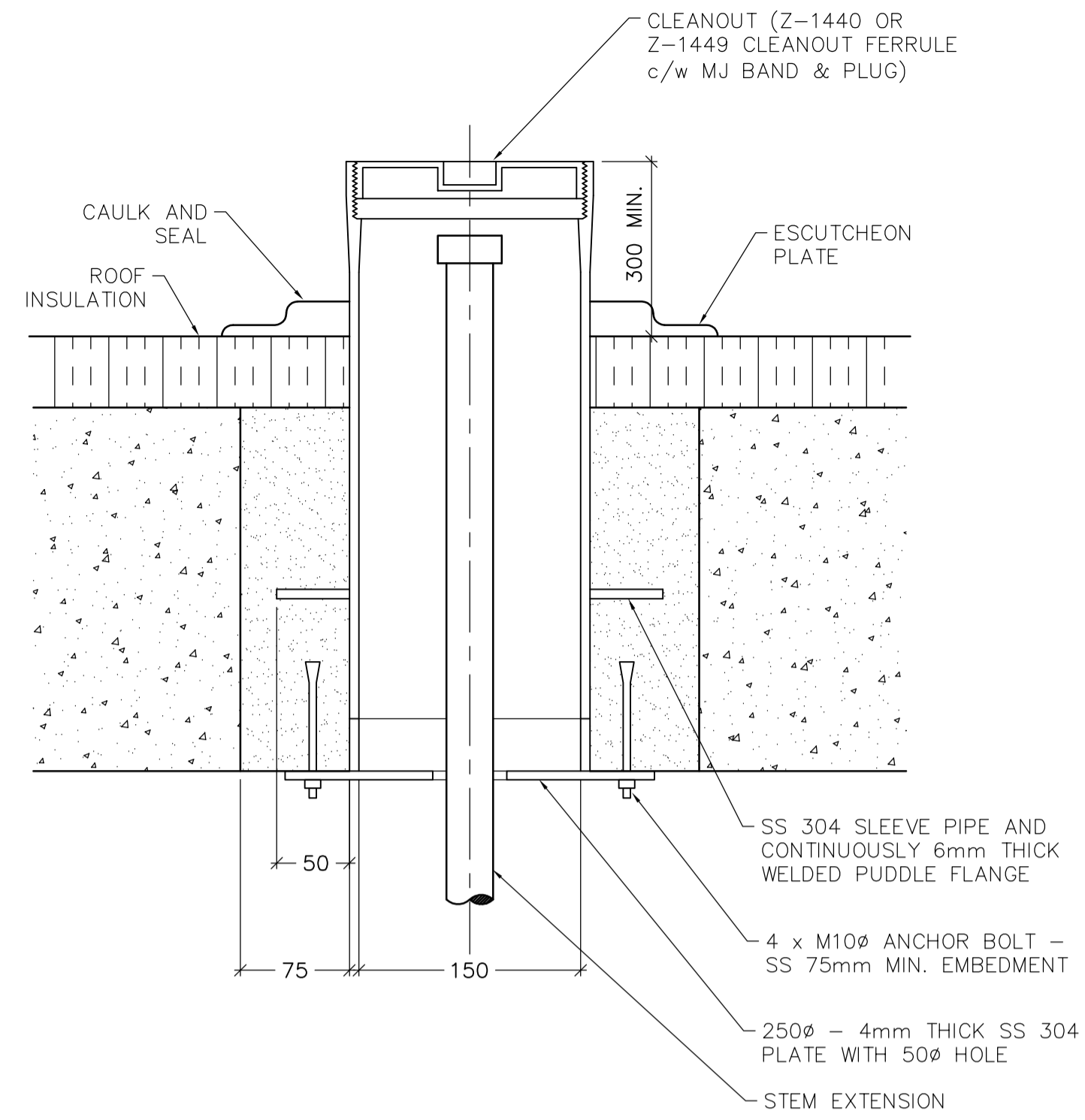


- NOTES:
1. REFER TO THE MANUFACTURER'S INSTALLATION INSTRUCTIONS IN CONJUNCTION WITH THESE INSTALLATION RECOMMENDATIONS.
  2. WHERE SPECIFIC INSTALLATION CONFLICTS ARISE THAT MIGHT PREVENT THESE INSTALLATION RECOMMENDATIONS FROM BEING COMPLIED WITH, CONSULT THE CONTRACT ADMINISTRATOR BEFORE PROCEEDING WITH THE INSTALLATION.
  3. WHERE THE DRAWINGS INDICATE DIMENSIONS THAT DIFFER FROM THESE DETAILS, THE DRAWINGS SHALL TAKE PRIORITY.

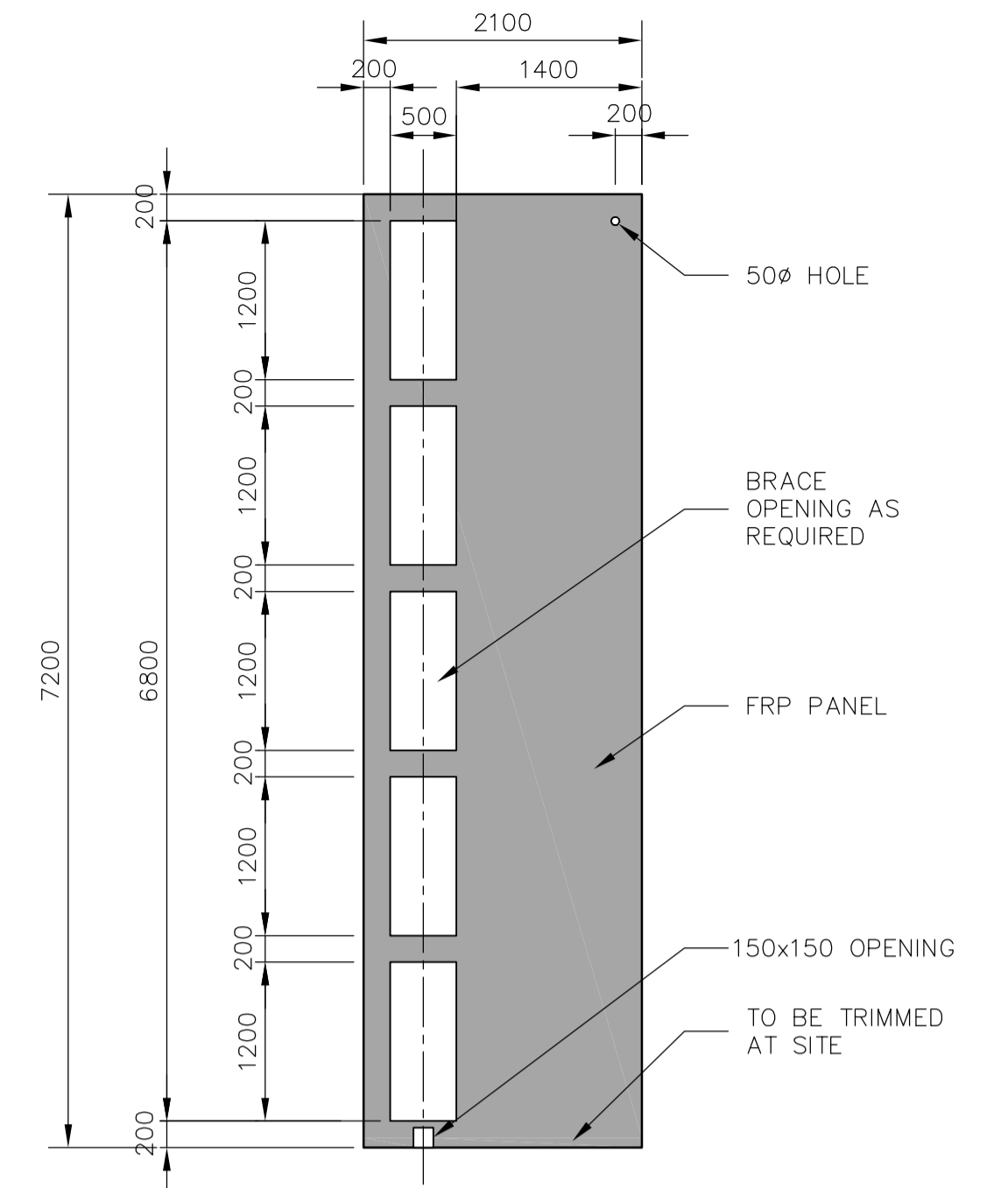
**STD 707** MAGNETIC FLOWMETER INSTALLATION CONFIGURATIONS



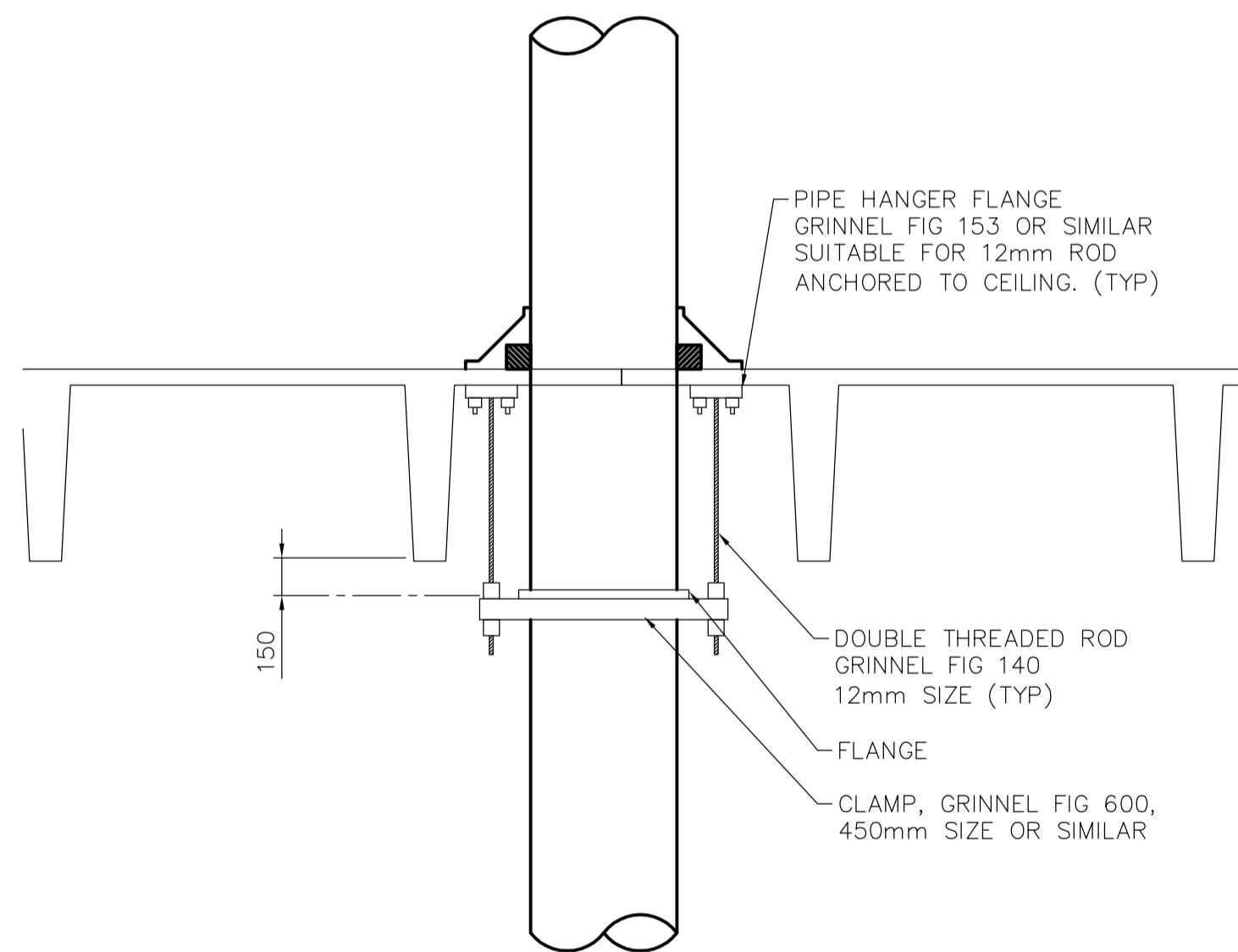
**STD 712A** WINCH BASE AND SUPPORT DETAIL



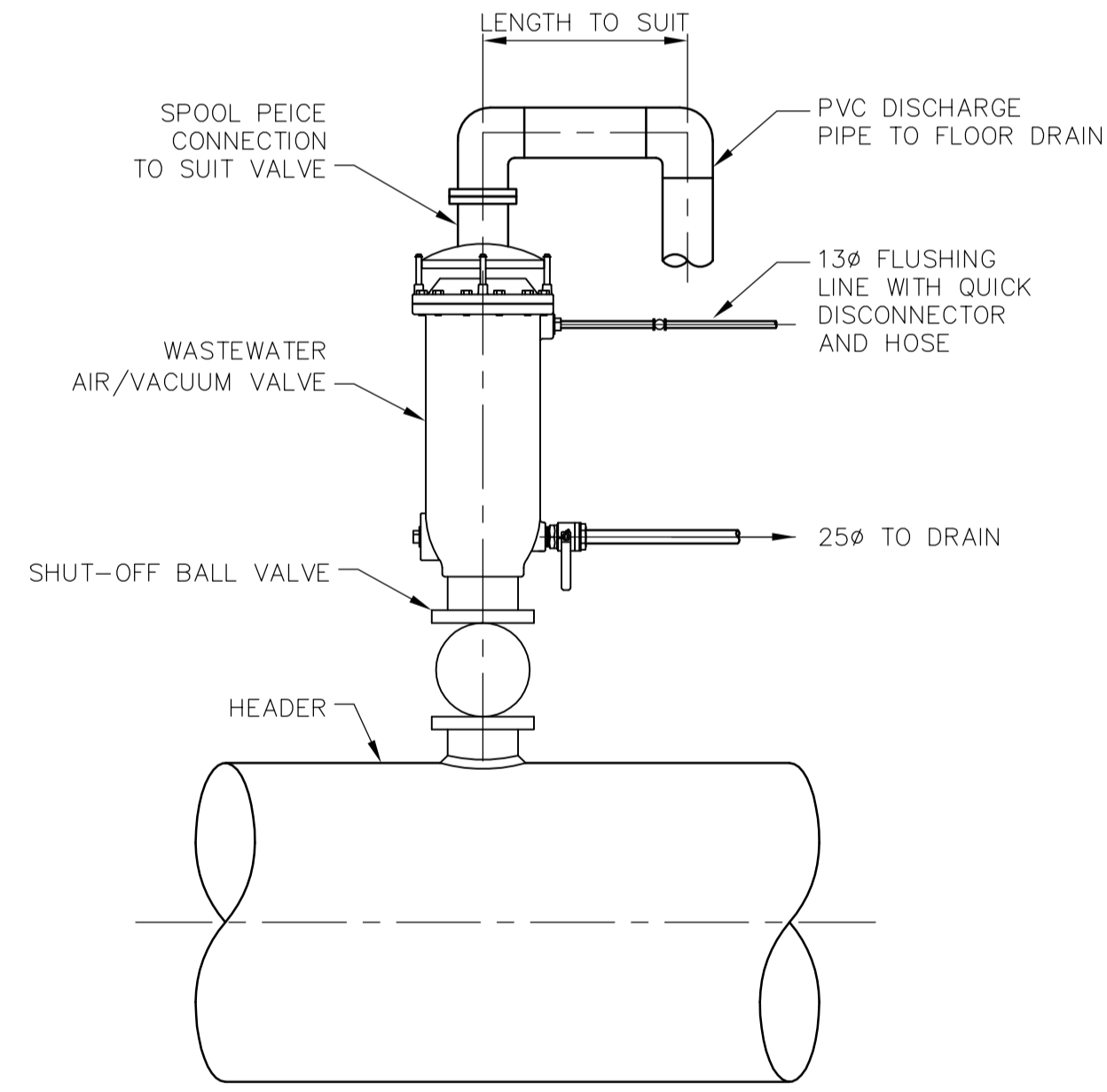
**STD 729** VALVE BOX



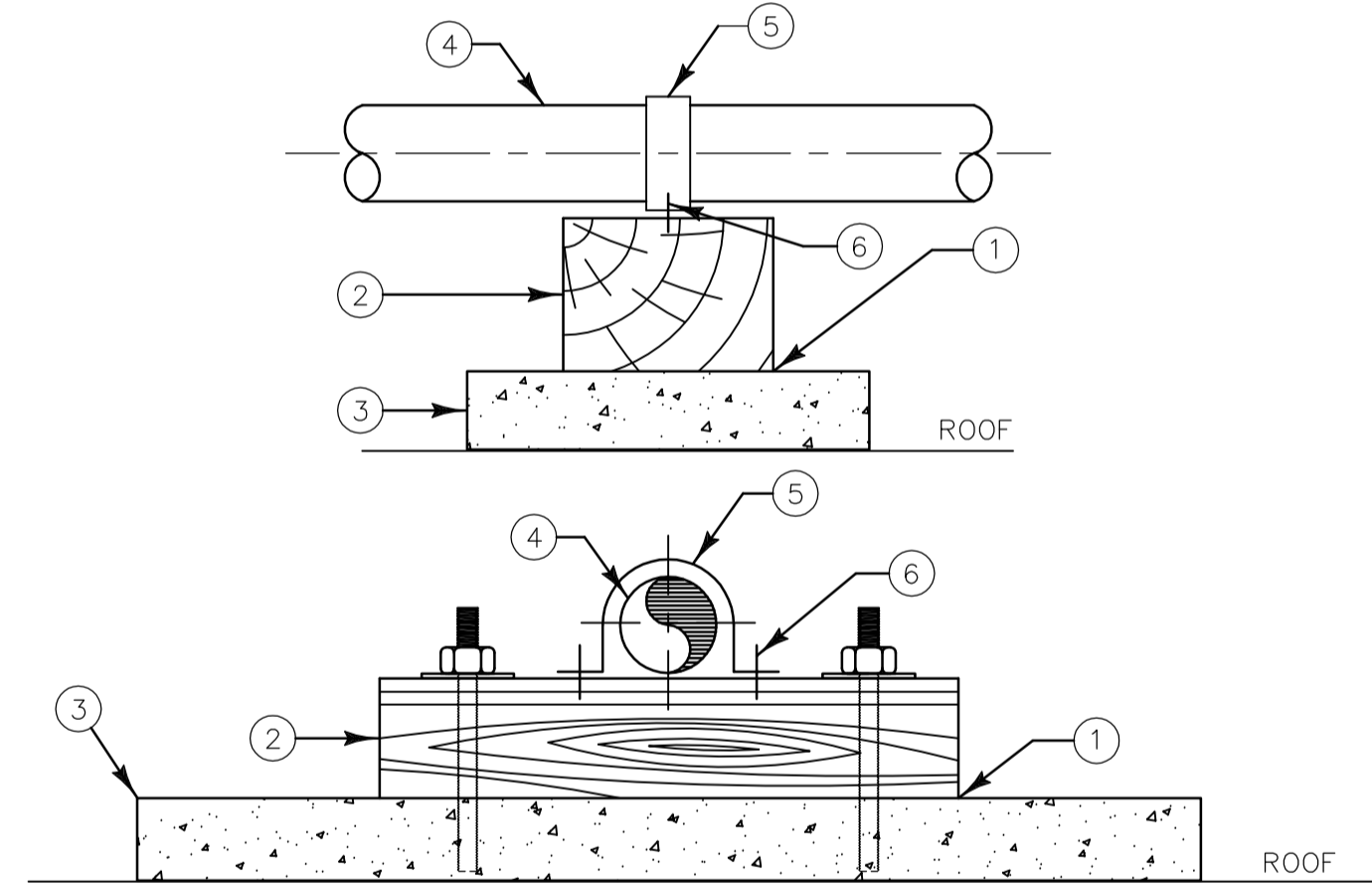
- STD 732** FRP BAFFLE - SECTION
- NOTES
- BAFFLE SHOWN IS ILLUSTRATIVE ONLY; SUBMIT SHOP DRAWINGS AND CALCULATIONS CONFIRMING BAFFLE IS SUITABLE FOR SERVICE CONDITIONS:
- BAFFLE TO BE 7200 MM X 2100 MM (TRIM TO FIT ANOXIC SELECTOR)
- BAFFLE TO HAVE OPEN AREA EQUIVALENT TO 3.00m<sup>2</sup> ALONG THE FULL HEIGHT OF THE BAFFLE.
- OPENINGS TO OCCUPY ONLY THE LAST ONE-THIRD OF THE BAFFLE WIDTH, THE FIRST TWO-THIRDS OF THE BAFFLE WIDTH MUST BE SOLID AS SHOWN
- REINFORCE OPENINGS AS NECESSARY
- PROVIDE 150x150 OPENING AT BOTTOM OF BAFFLE TO FACILITATE TANK DRAINAGE
- WATER DEPTH IN ANOXIC SELECTOR RANGES FROM 5.0m TO 7.0m
- WATER LEVEL ON EACH SIDE OF THE BAFFLE WILL BE EQUAL UNDER ALL CONDITIONS. THE BAFFLES DO NOT HAVE TO WITHSTAND DIFFERENTIAL WATER LEVELS



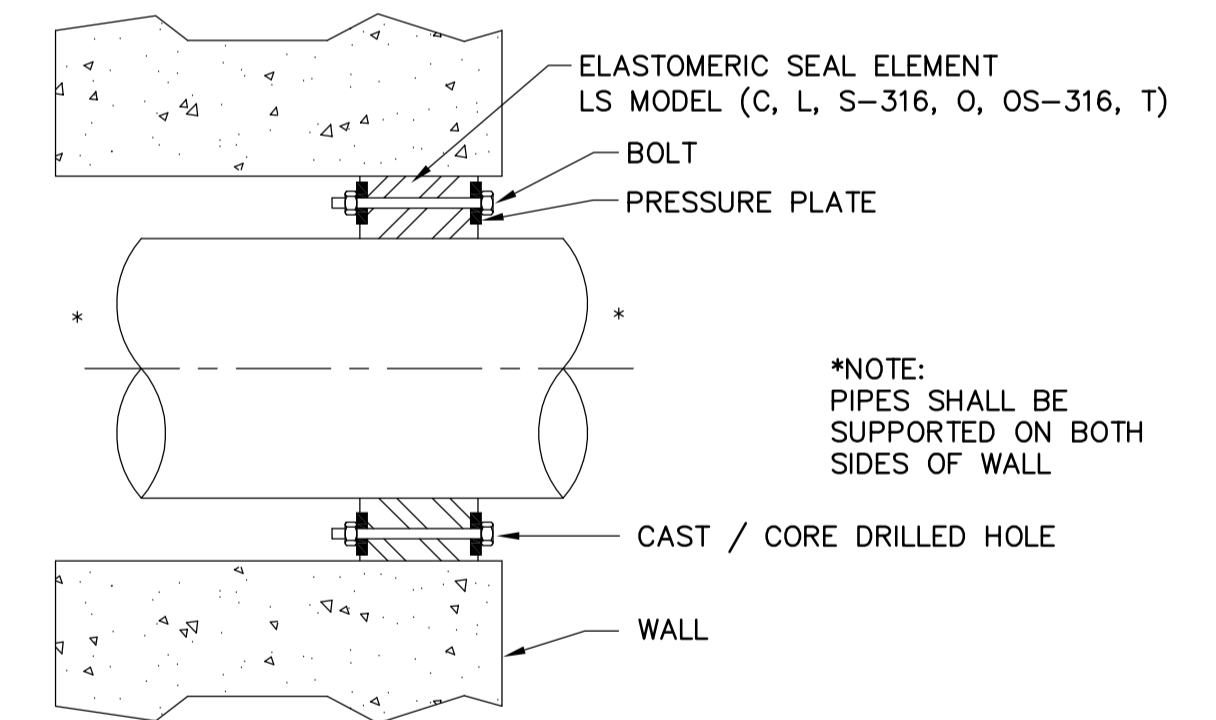
**STD 734** ROOF PENETRATION HANGER DETAIL



**STD 735A** AIR VALVE - DETAIL



- STD 736** PIPE SUPPORT DETAIL
- 1 SHIMWOOD BLOCKING AS REQUIRED TO COMPENSATE FOR ROOF SLOPE.
  - 2 4"x4"x10"LONG(100mmx100mmx250mm) PRESSURE TREATED WOOD BOLTED TO CONCRETE SLAB
  - 3 610mmx760mm PRECAST CONCRETE SLAB, SAME AS USED FOR PATHWAY
  - 4 STEEL PIPE.
  - 5 SS 304 STRAPS GRINNELL FIG.2L2 (OR EQUAL) OVERSIZE (2 SIZES) TO ALLOW FOR PIPE MOVEMENT. PAINT PIPING WITH COLOUR AS PER SPECIFICATION.
  - 6 STAINLESS STEEL NO.12 2"(50mm) LONG WOOD SCREWS.



- STD 737** LINK-SEAL MODULAR SEAL CORED WALL PENETRATION
- APPLICATION NOTES:
1. CONCRETE WALL
  2. PIPE MATERIAL: STEEL, STAINLESS STEEL, DUCTILE IRON, PVC OR FRP PIPE; NON-INSULATED.
  3. CONDITION:
    - a) DRY TO DRY
    - b) WET TO DRY
    - c) HORIZONTAL OR VERTICAL
    - b) INTERIOR TO UNDERGROUND
- | LS Model      | Seal Element        | Bolts/Nuts                                       | Pressure Plate           |
|---------------|---------------------|--|--------------------------|
| C             | EPDM (Black)        | Zinc Dichromate/Organic Coated Carbon Steel Bolt | Reinforced Nylon Polymer |
| L             | EPDM (Blue)         | Zinc Dichromate/Organic Coated Carbon Steel Bolt | Reinforced Nylon Polymer |
| O             | Nitrile             | Zinc Dichromate/Organic Coated Carbon Steel Bolt | Reinforced Nylon Polymer |
| T             | Silicone            | Zinc Dichromate/Organic Coated Carbon Steel Bolt | Steel Zinc Dichromate    |
| (C,L,O)+S-316 | (see model options) | 316 Stainless Steel                              | Reinforced Nylon Polymer |
- | Sleeve Model | Description         | Material |
|--------------|---------------------|----------|
| CS           | Century-Line Sleeve | HDPE     |
| WS           | Steel Wall Sleeve   | Steel    |
- \*NOTE: PIPES SHALL BE SUPPORTED ON BOTH SIDES OF WALL

<p><b>APEGM</b> Certificate of Authorization Earth Tech Canada Inc. No. 730 Expiry: April 30, 2007</p>	B.M. ELEV.	<p><b>EarthTech</b> A Tyco International Ltd. Company</p>	ENGINEER'S SEAL	<p><b>THE CITY OF WINNIPEG</b> WATER AND WASTE DEPARTMENT ENGINEERING DIVISION</p>		
	DESIGNED BY: LW		CHECKED BY: SB		ORIGINAL SIGNED BY: J.E. HUTCHISON	
	DRAWN BY: GLG		APPROVED BY: JEH		2006/05/15	
	SCALE: NONE		RELEASED FOR CONSTRUCTION BY: K. MARTENS		CONSULTANT DRAWING NO. P19.06	
NO. REVISIONS	DATE	DATE	2006/01/16	DATE	2006/05/23	<p>NEWPCC CENTRATE NUTRIENT TREATMENT NITROGEN REMOVAL FACILITY</p> <p>CITY FILE NUMBER</p> <p>SHEET OF</p> <p>CITY DRAWING NUMBER</p> <p>1-0101C-D-P0003-006-02D</p>