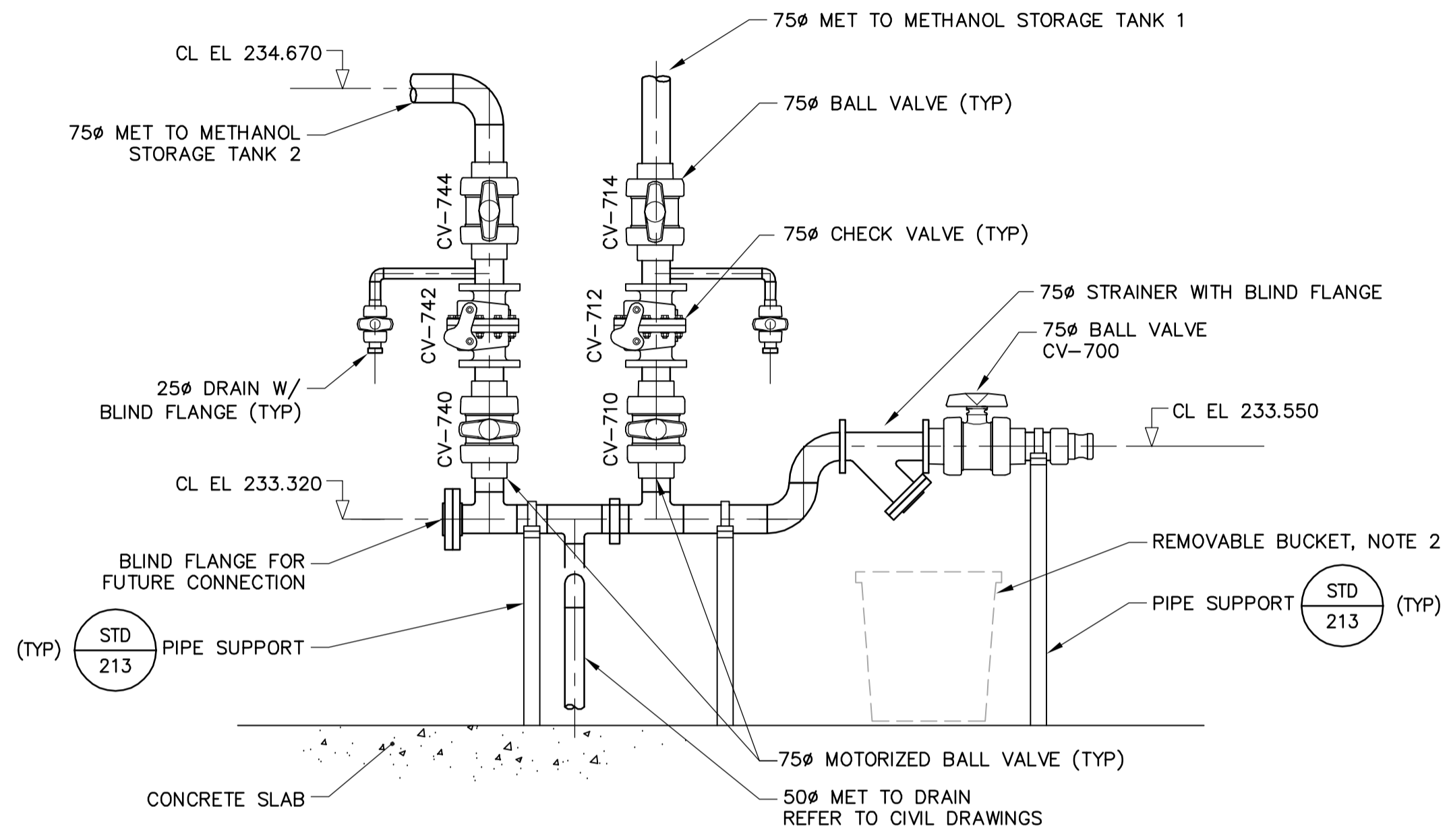
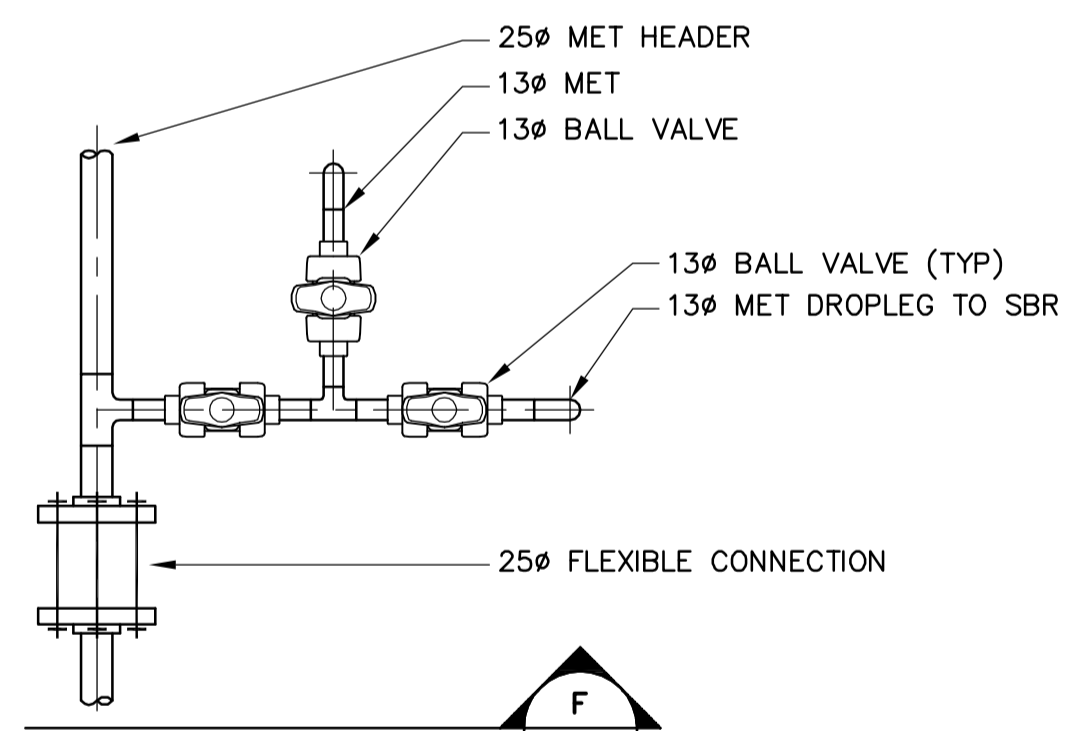


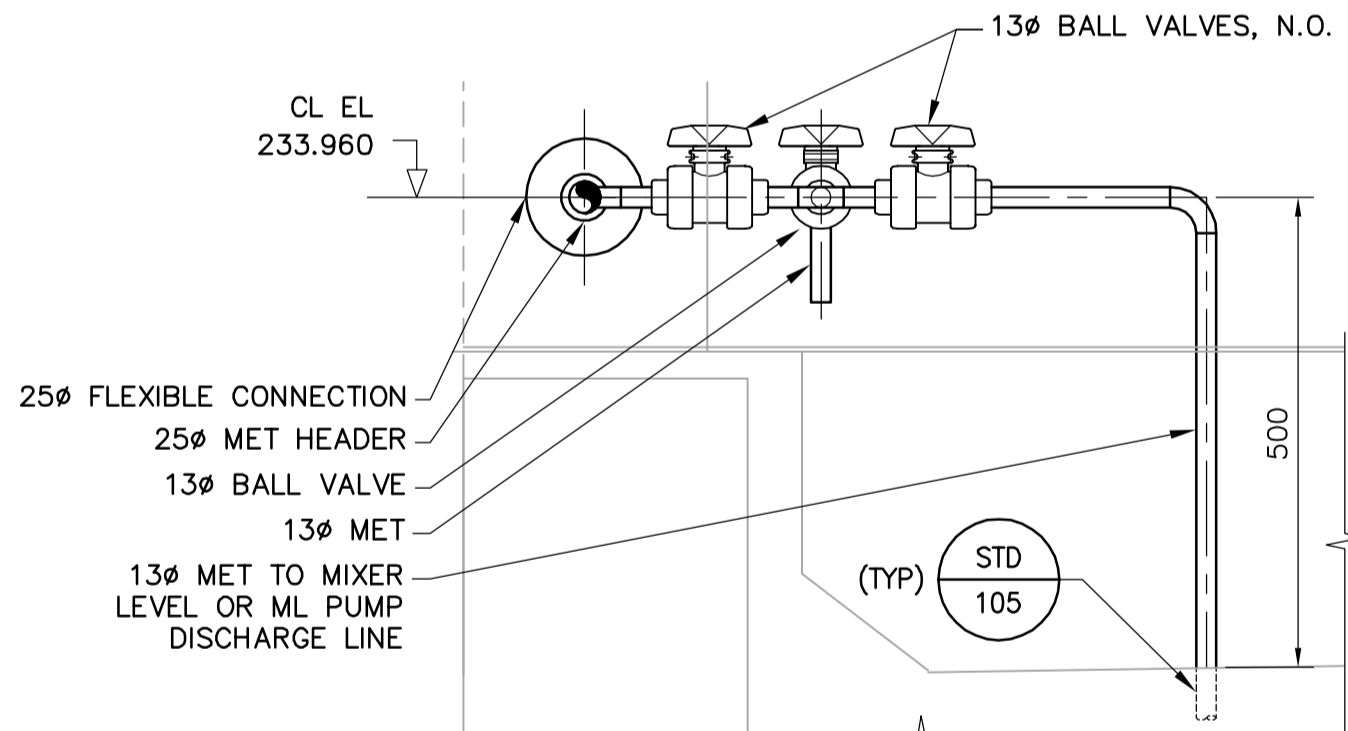
3 DETAIL
17.01 SCALE 1:16



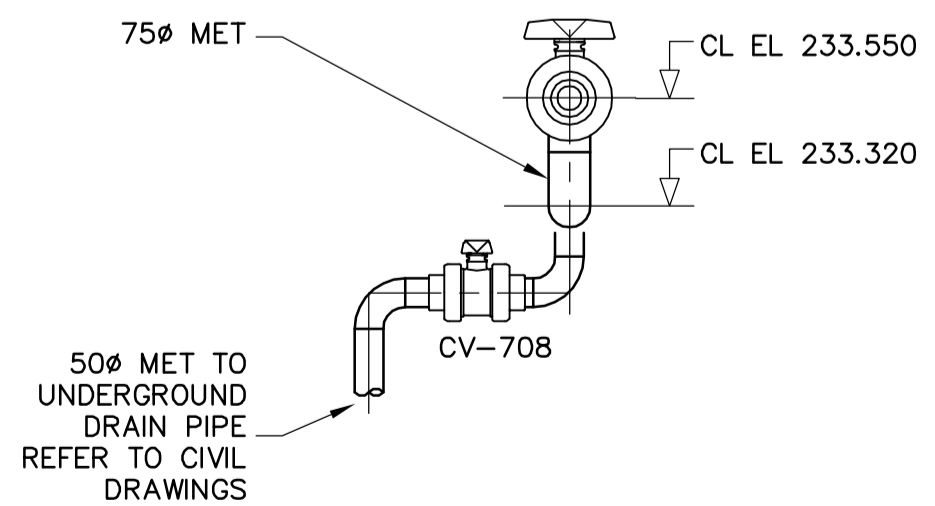
E SECTION DETAIL
SCALE 1:16



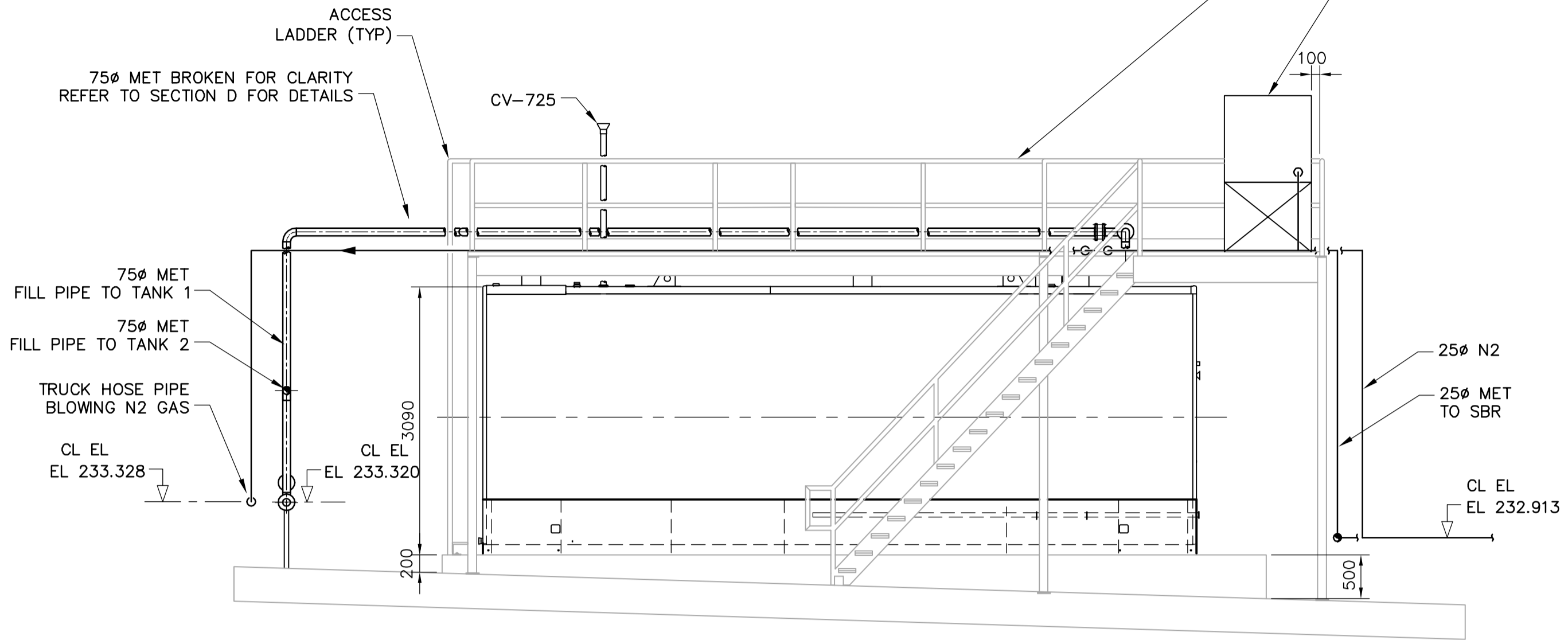
4 DETAIL
17.01 SCALE 1:8



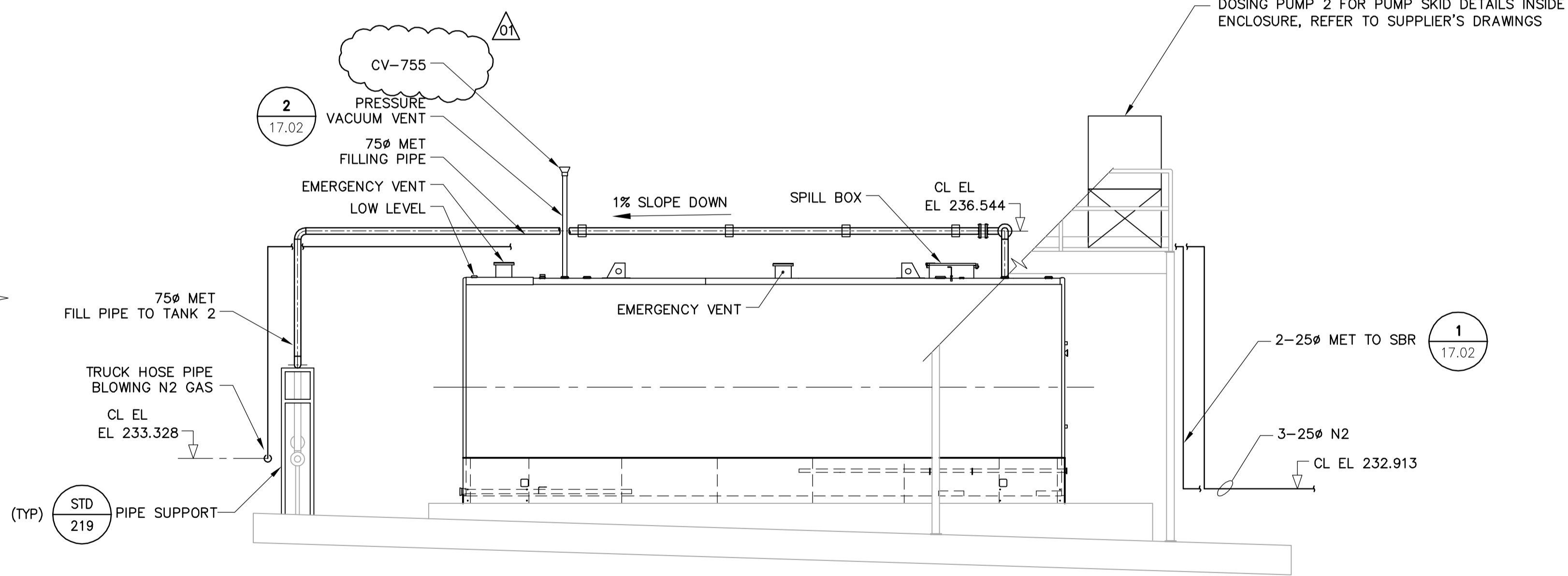
F SECTION DETAIL
17.01 SCALE 1:8



G SECTION DETAIL
SCALE 1:16



C SECTION
17.01 SCALE 1:50



D SECTION
17.01 SCALE 1:50

- NOTE:**
- ALL MANUAL VALVES ON METHANOL AND NITROGEN LINES TO BE LOCKABLE.
 - REMOVABLE BUCKET; OPW 211AST OR EQUIVALENT.

APEGM
Certificate of Authorization
Earth Tech Canada Inc.
No. 730 Expiry: April 30, 2007

| | | | | |
|-------------|---------------------|-------------------------------|------------|------------|
| B.M. ELEV. | | | | |
| DESIGNED BY | EM | CHECKED BY | SB | |
| DRAWN BY | SRP | APPROVED BY | JEH | |
| SCALE: | AS NOTED | RELEASED FOR CONSTRUCTION BY: | K. MARTENS | |
| NO. | REVISIONS | DATE | BY | DATE |
| 01 | 291-2006 ADDENDUM 3 | 06/07/12 | LAE | |
| 00 | ISSUED FOR TENDER | 06/05/15 | GLG | |
| | | 2006/01/16 | | 2006/05/15 |

EarthTech
A Tyco International Ltd. Company

ENGINEER'S SEAL
ORIGINAL SIGNED BY
Q. MENG
2006/05/15
CONSULTANT DRAWING NO.
P17.03

THE CITY OF WINNIPEG
WATER AND WASTE DEPARTMENT
ENGINEERING DIVISION
NEWPCC CENTRATE NUTRIENT TREATMENT
NITROGEN REMOVAL FACILITY
PROCESS
METHANOL SYSTEM
SECTIONS & DETAILS