

INSTRUMENT LOOP DIAGRAM

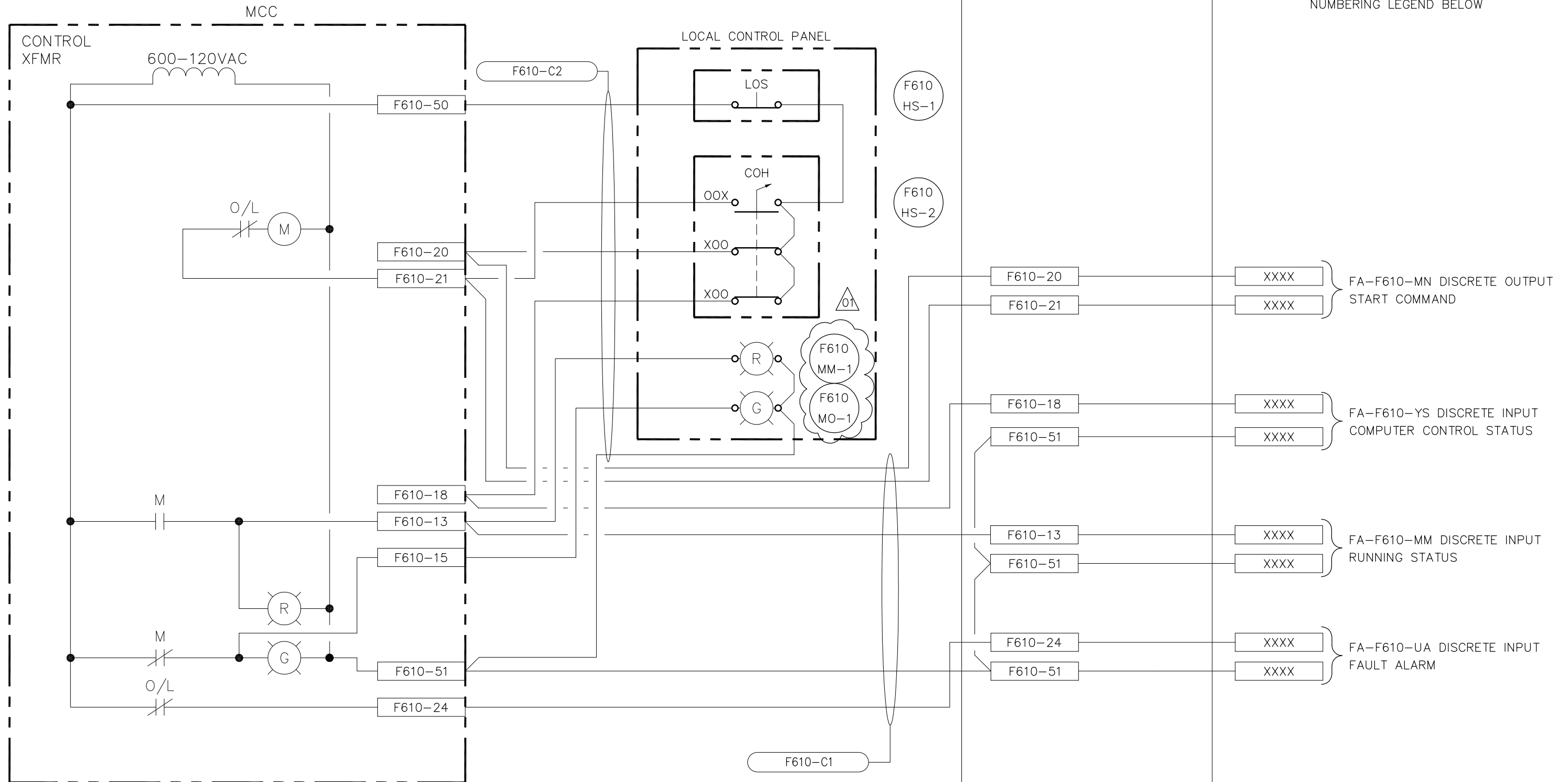
LOOP NO. F610

FIELD

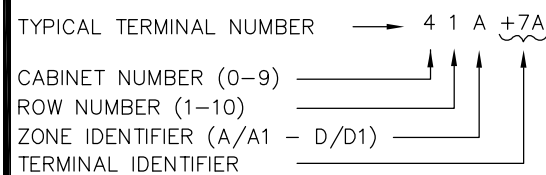
FIELD DEVICE PANEL

DCS

REFER TO DCS TERMINAL NUMBERING LEGEND BELOW



DCS TERMINAL NUMBERING



Earth Tech (Canada) Inc. Winnipeg, Manitoba 204.477.5381



THE CITY OF WINNIPEG
WATER AND WASTE DEPARTMENT
 WEWPCC - BIOLOGICAL NUTRIENT REMOVAL UPGRADE

SCALE AS NOTED
 DATE 2006/06/05
 DES SWT DWN SRP
 CKD BL APP SWT

06/07/10	21-2006 ADDENDUM 8	BL
DATE	REVISION	APP.

TYPICAL INSTRUMENT LOOP DIAGRAM
 FIXED SPEED DRIVE

DRAWING NO.
 ILD-12