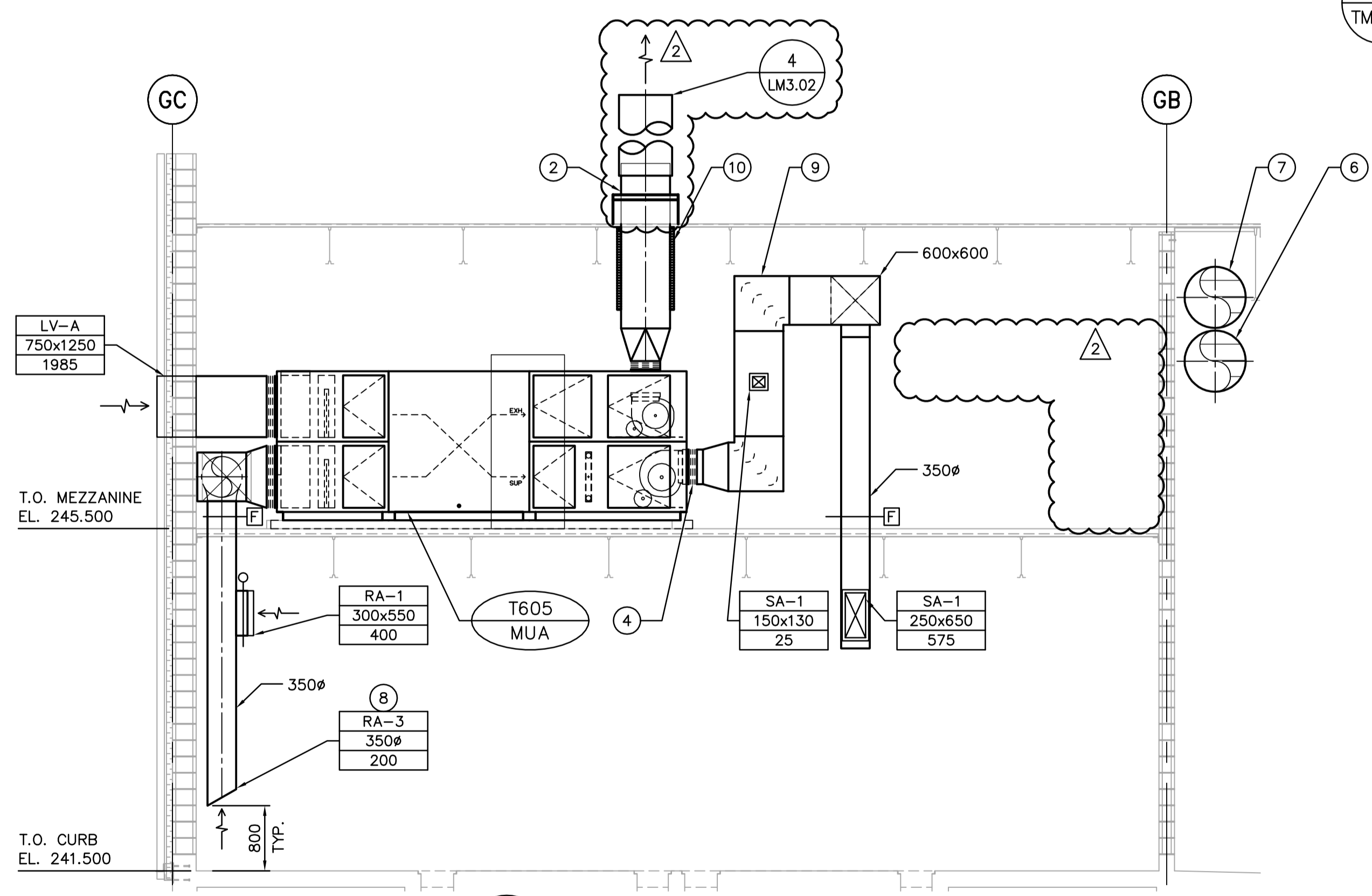
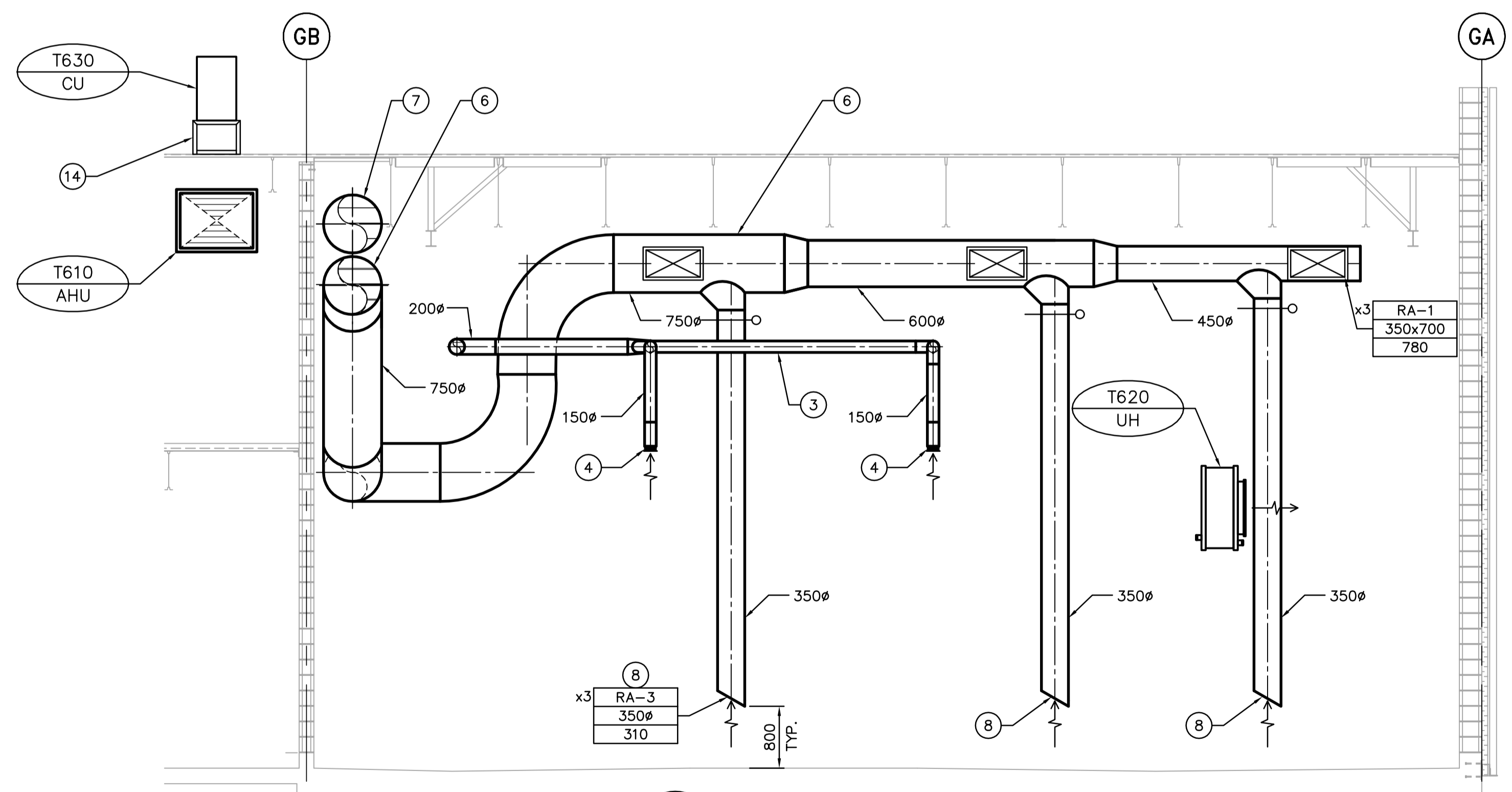


1 SECTION
TM2.02 SCALE 1:50

- DRAWING NOTES**
- 2000mm x 750mm AIR INTAKE FOR T600-MUA c/w 600mm INSULATED ROOF CURB.
 - 600mm ϕ T605-MUA EXHAUST AIR.
 - EXHAUST DUCT OF 2 DAF TANKS.
 - FLEXIBLE DUCT CONNECTIONS.
 - SUPPLY DUCT OF T600-MUA.
 - RETURN DUCT OF T600-MUA.
 - EXHAUST DUCT OF T600-MUA.
 - 13mm SQUARE WIRE MESH.
 - SUPPLY DUCT FROM T605-MUA.
 - 50mm THERMAL EXTERIOR INSULATION.
 - BOILER FRAME.
 - 250 ϕ COMBUSTION AIR INTAKE DOWN FROM ROOF LEVEL. TERMINATE WITH RAIN CAP AND METAL FLASHING. INTAKE OPENING TO BE MINIMUM 500mm ABOVE MAXIMUM SNOW LINE. TYPICAL FOR EACH BOILER.
 - 50 ϕ FLUE UP ABOVE ROOF LEVEL. TERMINATE WITH RAIN CAP AND METAL FLASHING. CONFIRM ON-SITE EXACT HEIGHT OF CHIMNEY. MAINTAIN MINIMUM 1700mm ABOVE MAXIMUM SNOW LINE AND 1200mm ABOVE COMBUSTION AIR INTAKE OPENING.
 - MECHANICAL CONTRACTOR TO PROVIDE 300 HIGH STEEL PLATFORM FOR T630-CU TO SIT ON. UNIT AND PLATFORM SHALL BE SECURELY MOUNTED TO ROOF.
 - INSTALL INSECT SCREEN ON AIR INTAKE.
 - EXTEND GAS PRV VENT UP THROUGH PITCH POCKET ON ROOF.



2 SECTION
TM2.02 SCALE 1:50



3 SECTION
TM2.02 SCALE 1:50

- GENERAL NOTES**
- COORDINATE WITH OTHER TRADES SO AS TO PREVENT CONFLICTS.
 - ALL DUCTWORK SHALL BE SUPPORTED AND SUSPENDED AS PER SPECIFICATIONS AND LOCAL CODES (SEE 4 FOR DETAILS).
 - ALL DUCTWORK SHALL BE STAINLESS STEEL.



B.M. ELEV.		 A Tyco International Ltd. Company		ENGINEER'S SEAL	
				ORIGINAL SIGNED BY A. BURACHYNSKY	
		DESIGNED BY AB/LJW		CHECKED BY PVL	
		DRAWN BY LJW/DL		APPROVED BY JEH	
		HOR. SCALE: 1:50		RELEASED FOR CONSTRUCTION BY: J. VEILLEUX	
		VERTICAL SCALE:		DATE 2006/01/04	
NO. REVISIONS		DATE		DATE 2006/04/26	
				CONSULTANT DRAWING NO. TM4.01	
				 THE CITY OF WINNIPEG WATER AND WASTE DEPARTMENT ENGINEERING DIVISION	
				WEWPC BIOLOGICAL NUTRIENT REMOVAL UPGRADE CONTRACT 3	
				CITY FILE NUMBER	
				SHEET OF	
				CITY DRAWING NUMBER	
				MECHANICAL AREA T - DAF THICKENER BUILDING SECTIONS	