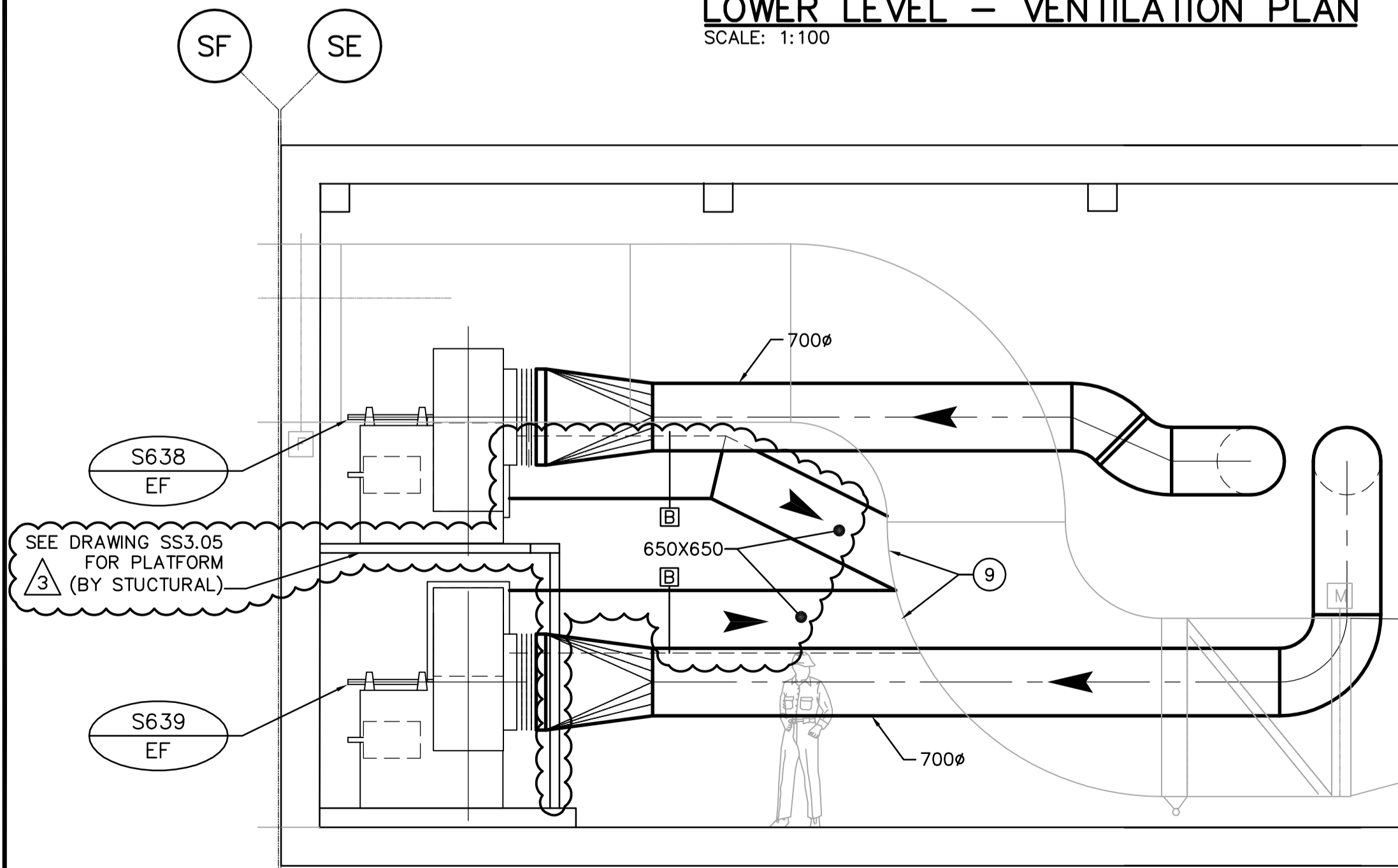
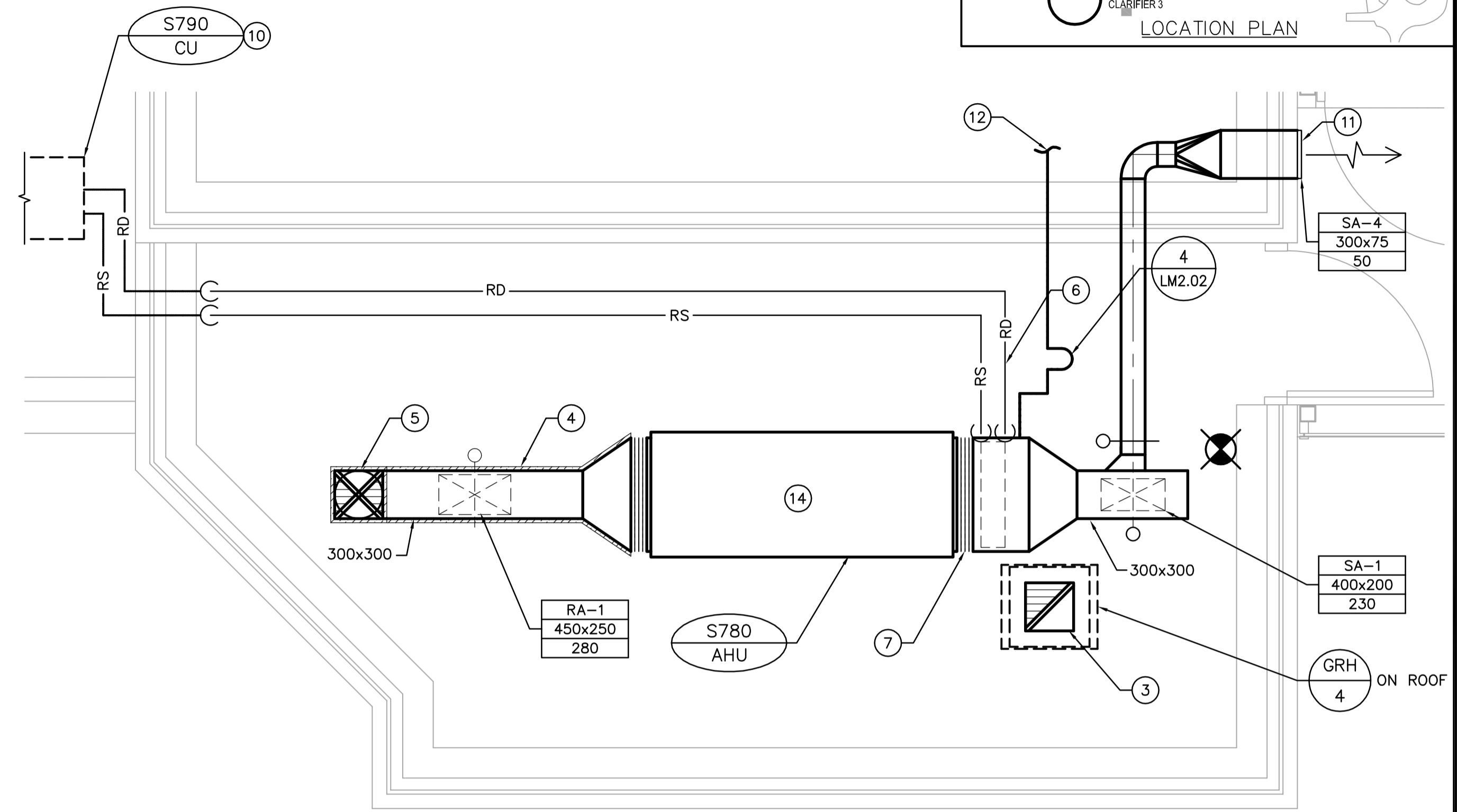


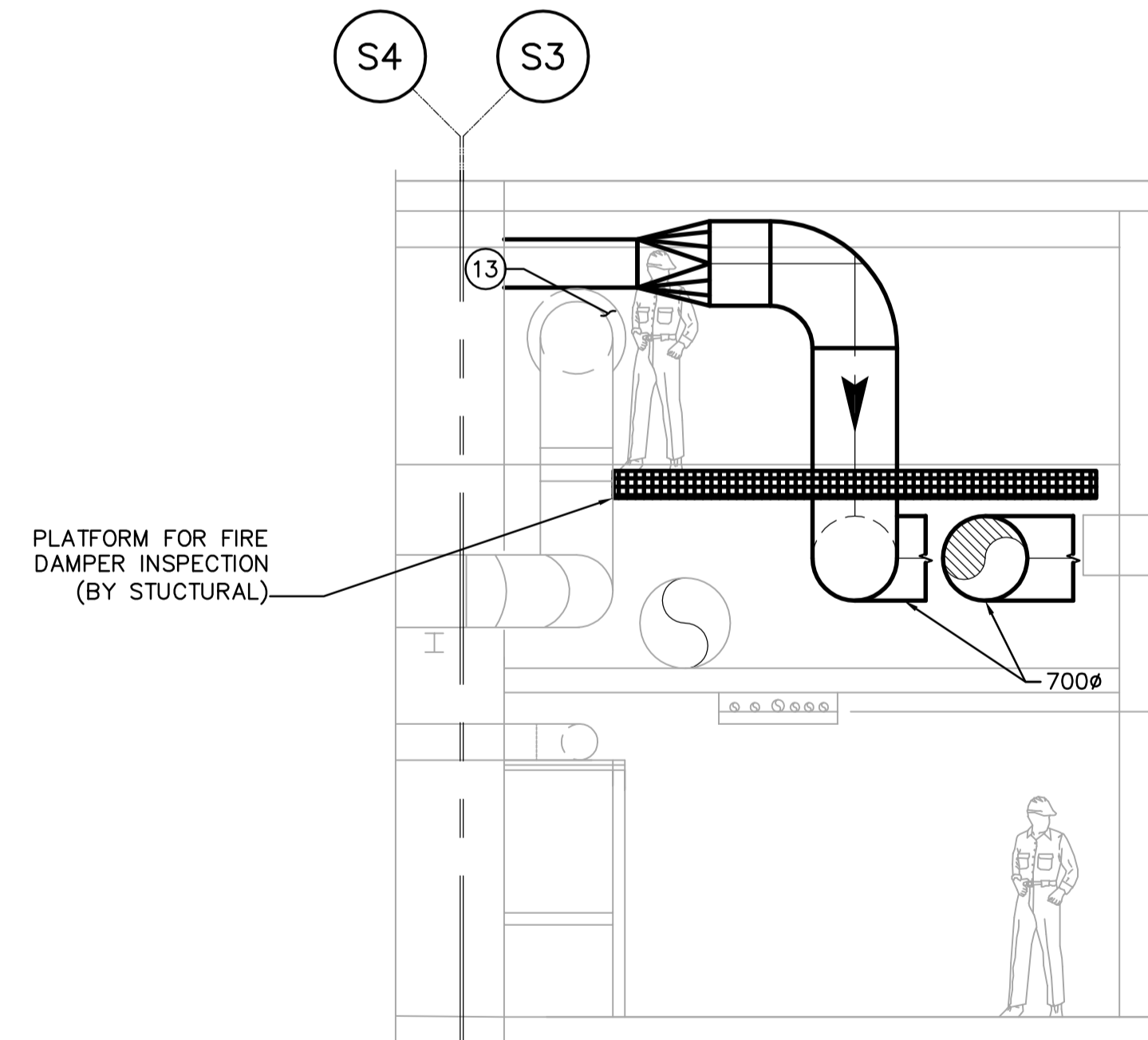
**LOWER LEVEL - VENTILATION PLAN**  
SCALE: 1:100



**1 SECTION**  
SM1.01 SCALE 1:100



**ELECTRICAL ROOM - VENTILATION PLAN**  
SCALE: 1:25



**2 SECTION**  
SM1.01 SCALE 1:100

**DRAWING NOTES**

- 1 INSTALL NEW EXHAUST FANS, SUPPORTS AND VIBRATION ISOLATORS.
- 2 INSTALL NEW FIRE DAMPERS AND MOTORIZED DAMPERS.
- 3 300x300 RELIEF AIR DUCT RISING TO RELIEF AIR HOOD ON ROOF c/w BACK DRAFT DAMPER. TERMINATE INTAKE OPENING APPROX. 600mm BELOW ROOF DECK.
- 4 PROVIDE 50mm EXTERNAL THERMAL INSULATION FOR A FULL DISTANCE.
- 5 300φ GOOSENECK INTAKE ON ROOF c/w MOTORIZED DAMPER.
- 6 REFRIGERANT LINES DOWN FROM CONDENSING UNIT TO COOLING COIL.
- 7 FLEXIBLE CONNECTION. TYPICAL.
- 8 CONNECT NEW 1075φ EXHAUST INTAKE DUCT TO EXISTING 850x400 DUCT.
- 9 650x650 DISCHARGE EXHAUST DUCT. CONNECT INTO EXISTING 1350W x 1850H EXHAUST AIR MAIN.
- 10 CONDENSING UNIT LOCATED BESIDE THE BUILDING ON 600 HIGH METAL STAND SUPPLIED BY MECHANICAL CONTRACTOR.
- 11 DUCT FOR VESTIBULE PRESSURIZATION.
- 12 40φ CONDENSATE DRAIN TO NEAREST FLOOR DRAIN IN MIXED LIQUOR TESTING BUILDING.
- 13 ADD 50mm THERMAL INSULATION TO COMPRESSED AIR PIPE WHERE POSSIBLE SKIN CONTACT EXISTS FROM STANDING ON PLATFORM.
- 14 S780-AHU MOUNTED HIGH TO UNDERSIDE OF CEILING SIMILAR TO T610-AHU.

**GENERAL NOTES**

1. COORDINATE WITH OTHER TRADES SO AS TO PREVENT CONFLICTS.
2. ALL DUCTWORK SHALL BE SUPPORTED AND SUSPENDED AS PER SPECIFICATIONS AND LOCAL CODES. (SEE DETAILS)
3. PROVIDE ACCESS DOORS TO INSPECT ALL FIRE DAMPERS.

**THE CITY OF WINNIPEG**  
WATER AND WASTE DEPARTMENT  
ENGINEERING DIVISION

WEPCC  
BIOLOGICAL NUTRIENT REMOVAL UPGRADE  
CONTRACT 3

MECHANICAL  
AREA S - BIOREACTORS  
LOWER LEVEL, ELECTRICAL ROOM - VENTILATION PLANS

DESIGNED BY		CHECKED BY	
DC	PVL	DC	JEH
DRAWN BY		APPROVED BY	
DC	JEH	DC	JEH
HOR. SCALE: AS NOTED		RELEASED FOR CONSTRUCTION BY:	
VERTICAL SCALE:		J. VEILLEUX	
NO.	REVISIONS	DATE	BY
03	21-2006 ADDENDUM 6	06/06/30	DC
02	21-2006 ADDENDUM 4	06/06/02	DC
01	21-2006 ADDENDUM 3	06/05/19	LJW
00	ISSUED FOR TENDER	06/04/26	DC
NO.	REVISIONS	DATE	BY
		2005/12/19	
		2006/04/26	

ENGINEER'S SEAL  
ORIGINAL SIGNED BY  
A. BURACHYNSKY  
2006/04/26  
CONSULTANT DRAWING NO.  
SM1.01