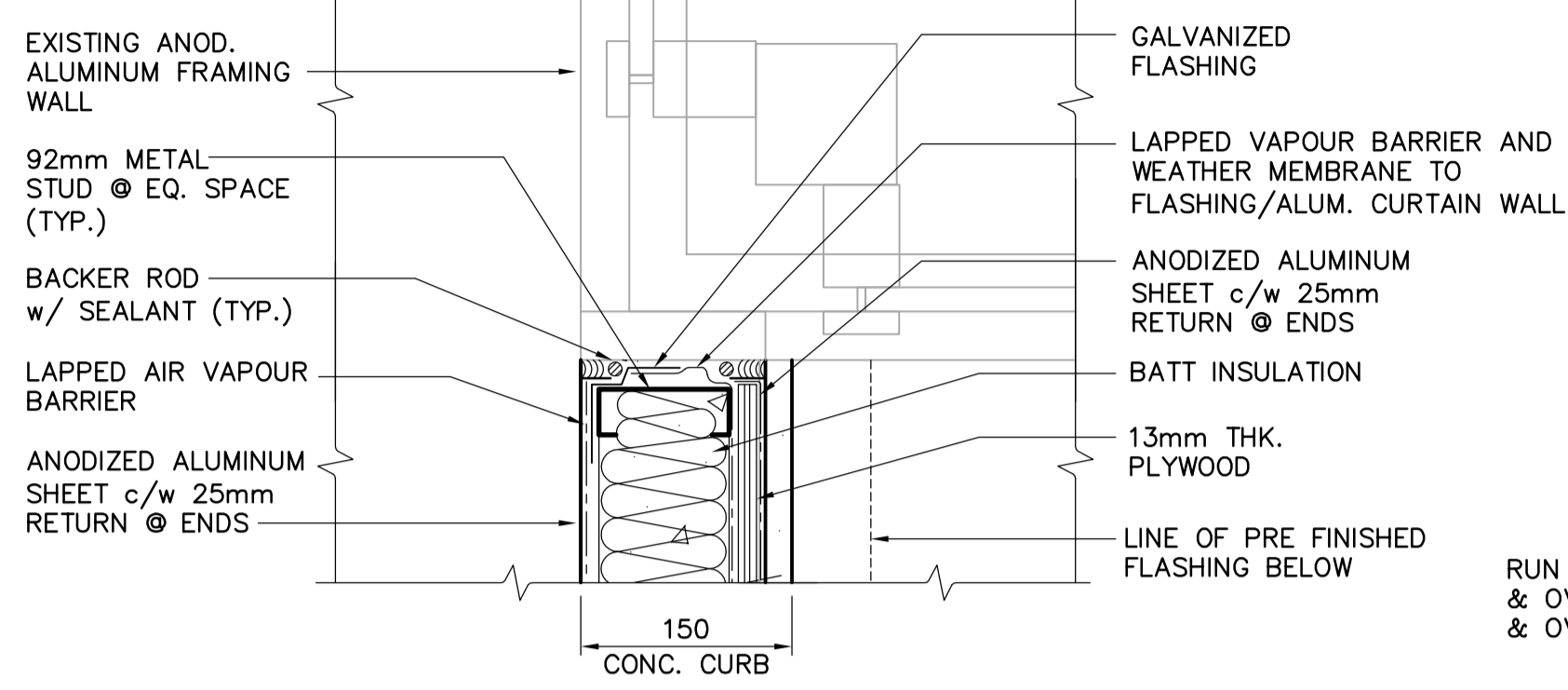


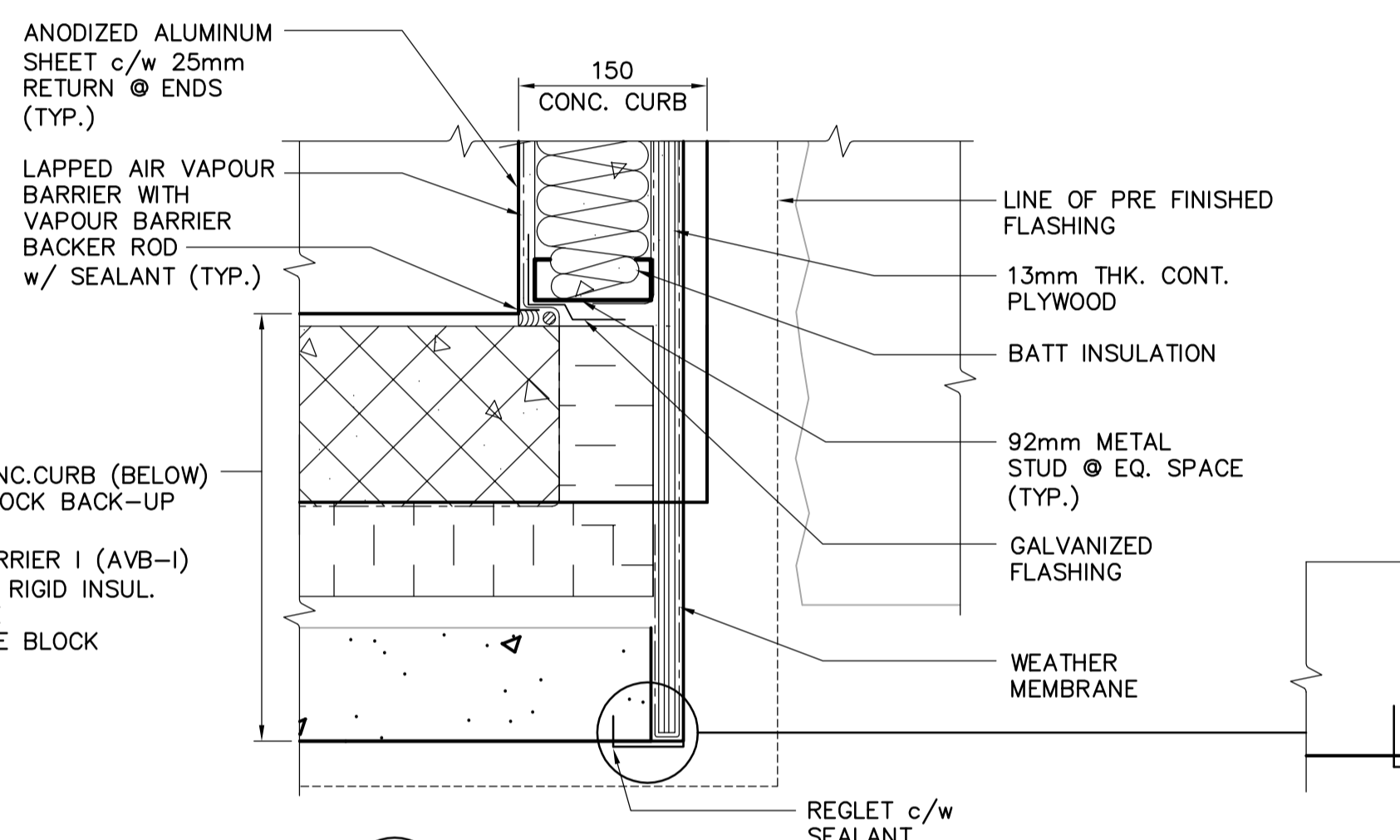
1 DETAIL AT CORNER
SA6.02 SCALE 1:25

DRAWING NOTES:
1. DIMENSIONS NOTED ARE APPROX. FOLLOWING EXISTING STRUCTURE

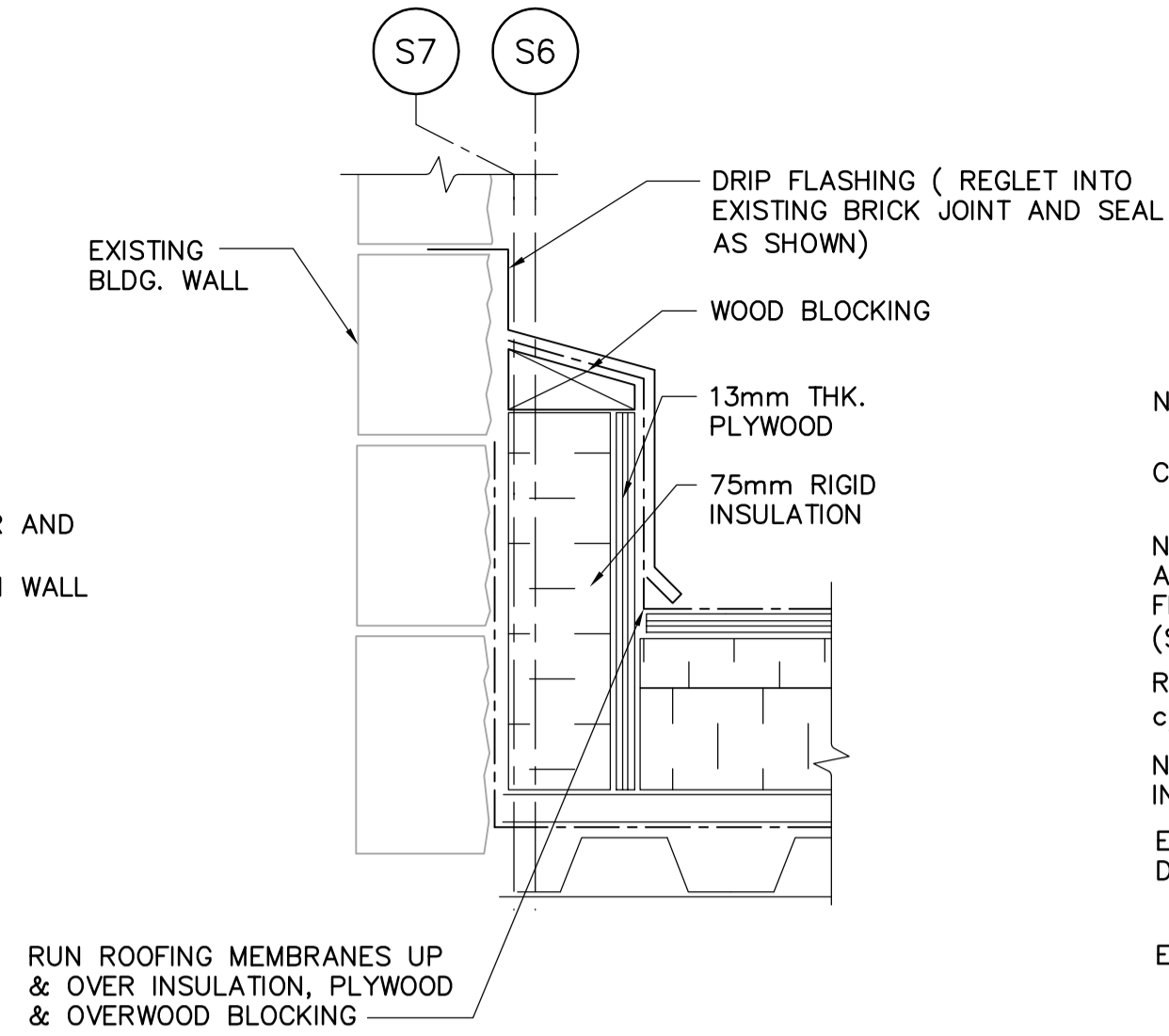
- 150mm NEW CONC. CURB (BELOW)
- 140mm CONC. BLOCK BACK-UP (PAINTED)
- AIR/VAPOUR BARRIER (AVB-1)
- 75mm (TYPE 4) RIGID INSUL.
- 25mm AIRSPACE
- 90mm SPLIT FACE BLOCK



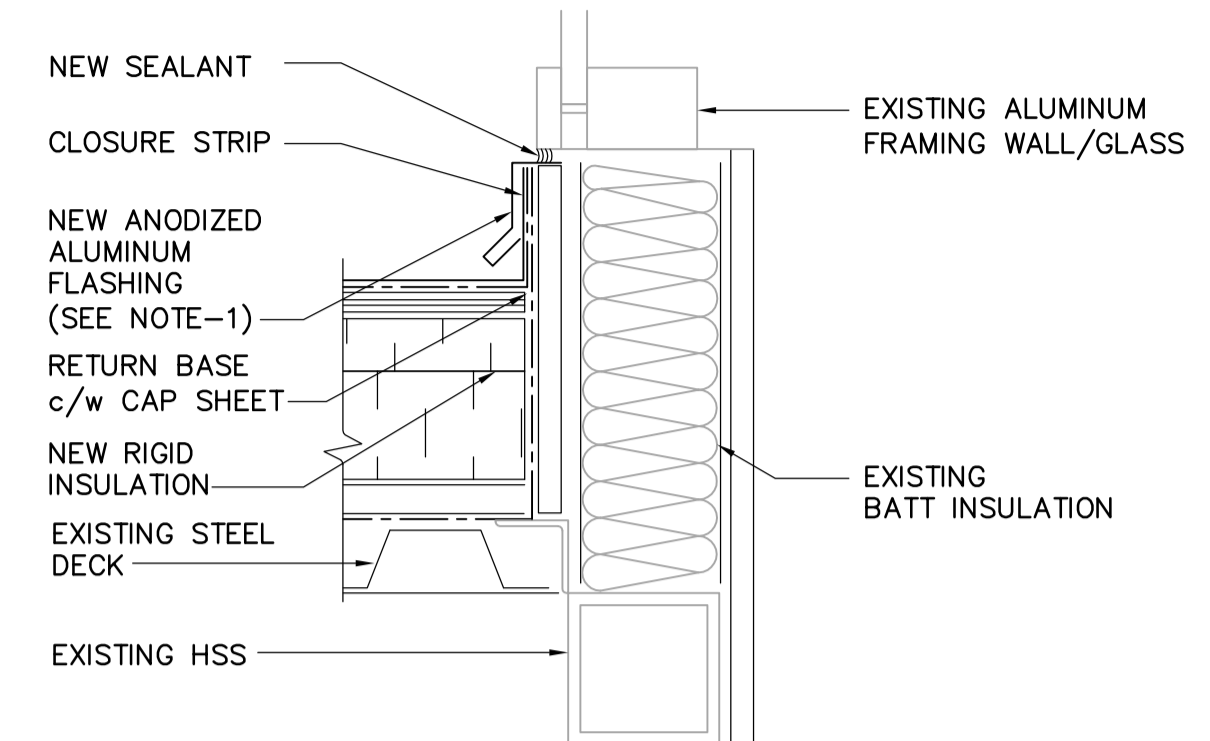
A DETAIL
SA9.01 SCALE 1:50



B DETAIL
SA9.01 SCALE 1:50

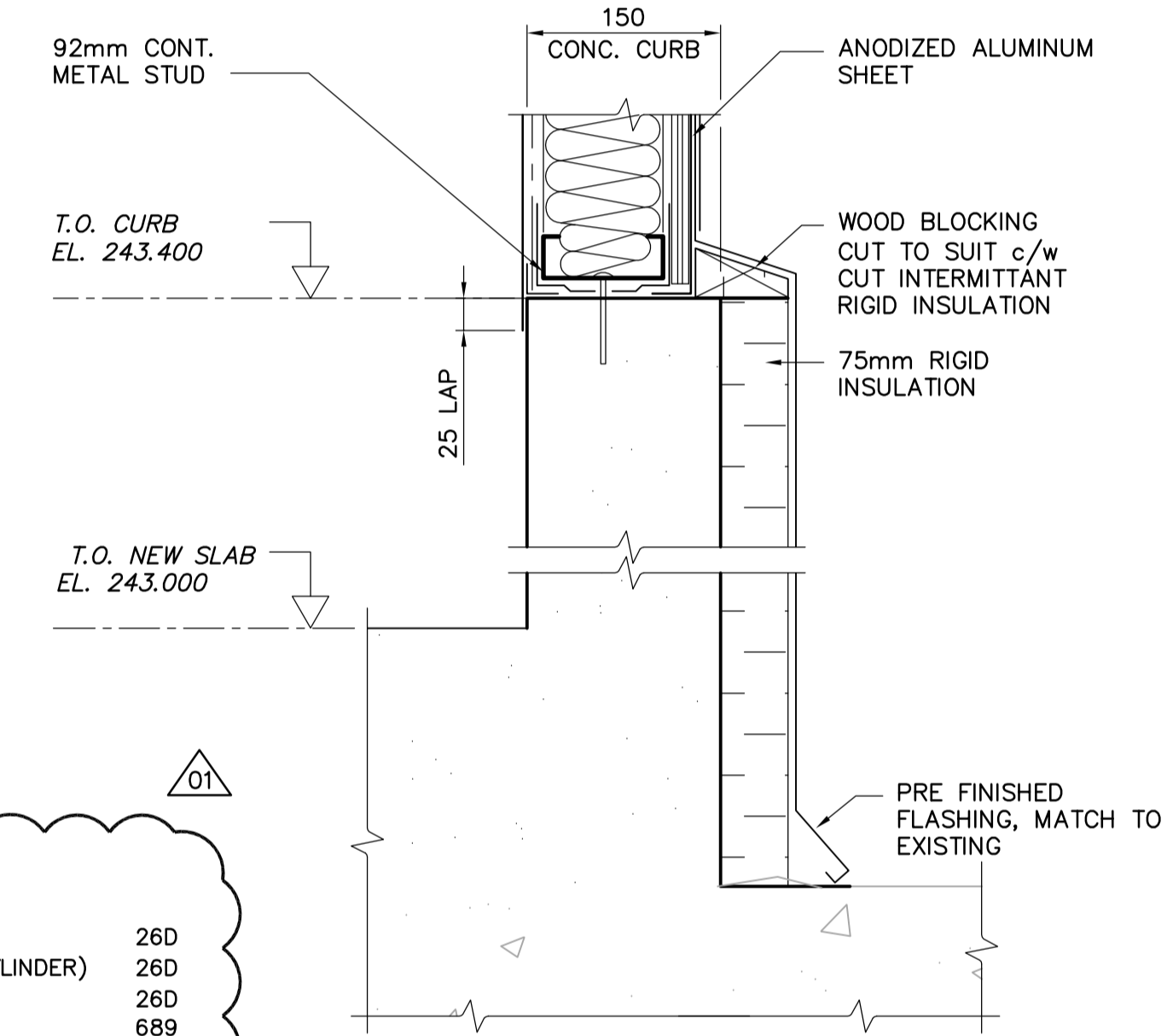


C DETAIL
SA9.01 SCALE 1:50

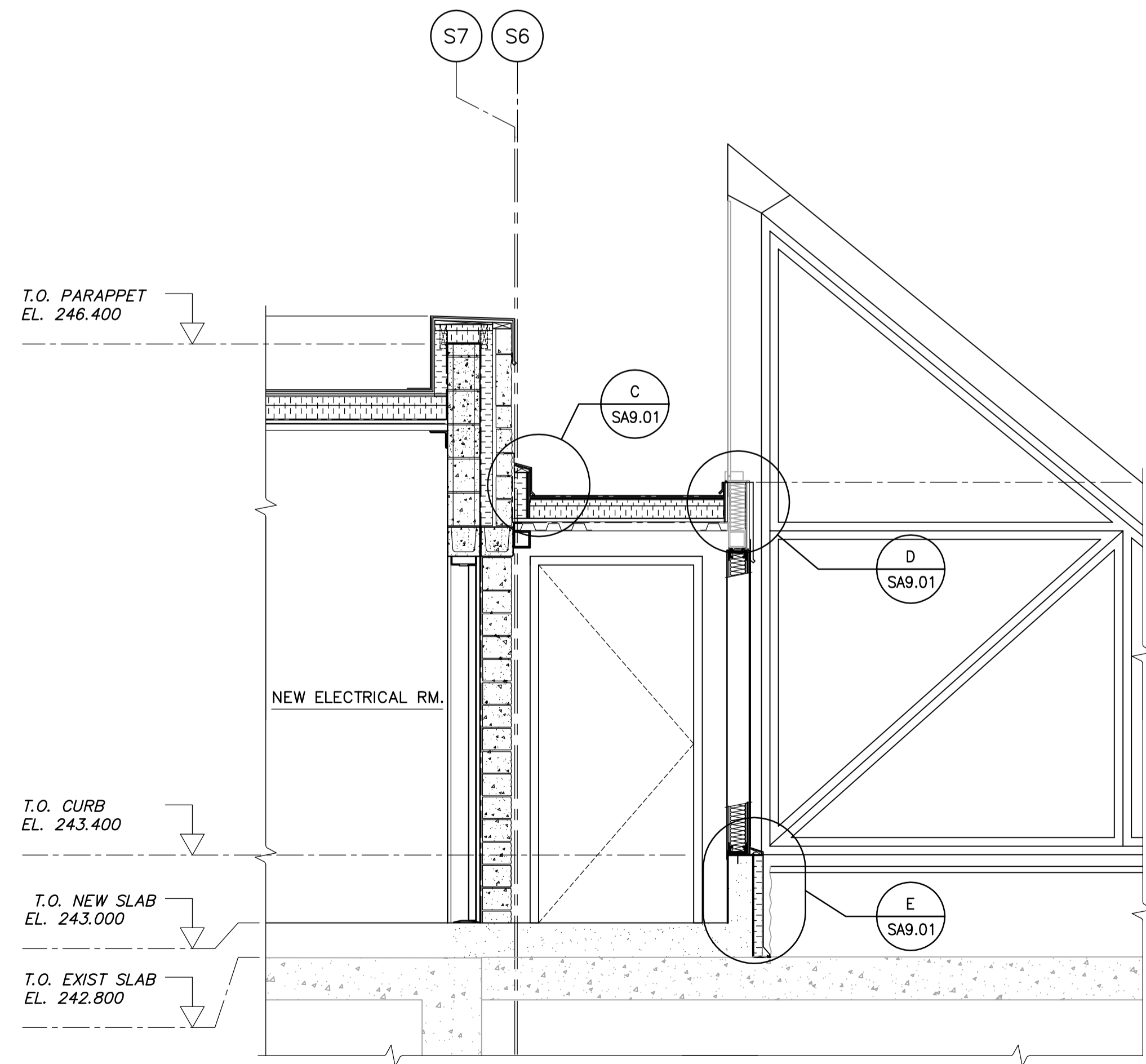


D DETAIL
SA9.01 SCALE 1:50

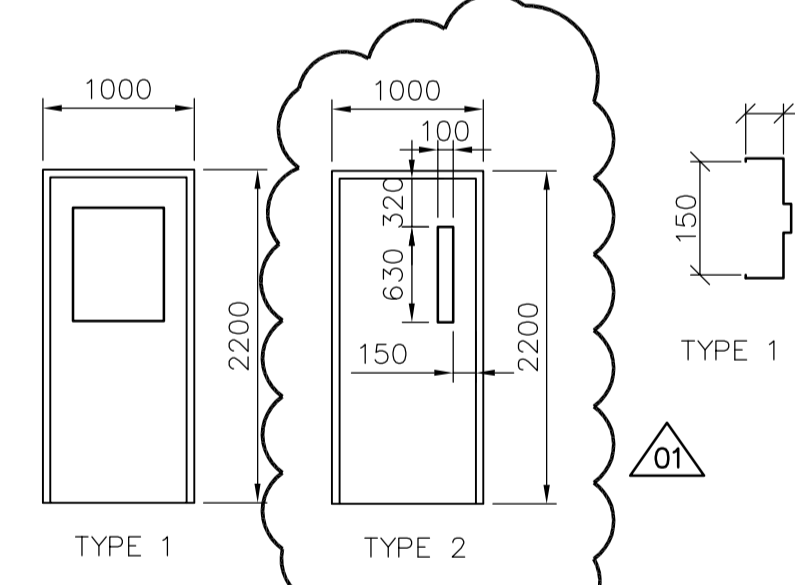
NOTE:
1. REMOVE, MODIFY AND REPLACE EXISTING ANODIZED ALUMINUM CURTAIN WALL FRAMING TO SUIT NEW CONSTRUCTION.



E DETAIL
SA9.01 SCALE 1:50



2 SECTION
SA9.01 SCALE 1:25



D101

3 BUTT HINGES	TA 314 115x100mm NRP	McKINNEY	26D
1 LOCKSET	AU5402 x ASA	YALE (W/CONST CYLINDER)	26D
1 WALL STOP	S122	STANDARD METAL	26D
1 CLOSER	4040	LCN	689
1 KICKPLATE	K10C	STANDARD	26D

D102 & D103 (RATED)

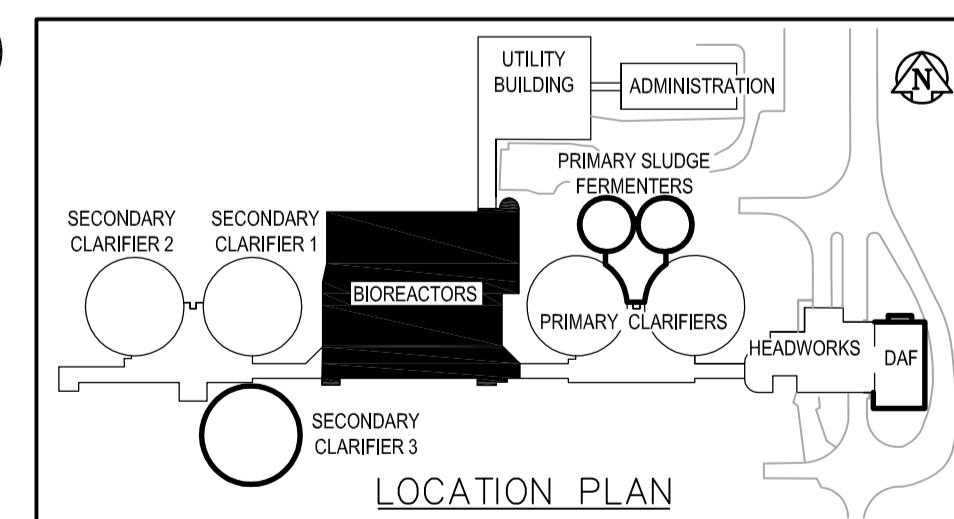
3 BUTT HINGES	TA 314 115x100mm NRP	McKINNEY	26D
1 PASSAGE	AU5402 x ASA	YALE (W/CONST CYLINDER)	26D
1 WALL STOP	S122	STANDARD METAL	26D
1 CLOSER	4040	LCN	689
1 KICKPLATE	K10C	STANDARD	26D

DOOR SCHEDULE

DOOR NO.	TO ROOM	SIZE	SWING	TYPE	MAT	CORE	FINISH COLOUR	PROFILE	MAT	FRAME TYPE	FINISH COLOUR	HDW GROUP	FIRE RATING	GRILLES	COMMENTS	
D101	ELECTRICAL	45x900x2150	RH	1	HM	HC	PT	A	1	HM	WLD	PT	A	1	N/A	TRANSFER GRILL
D102	VESTIBULE	45x900x2150	LH	1	HM	HC	PT	A	2	HM	WLD	PT	A	2	45 MIN	N/A
D103	VESTIBULE	45x900x2150	RH	1	HM	HC	PT	A	2	HM	WLD	PT	A	2	45 MIN	N/A

FINISH SCHEDULE

ROOM NO.	ROOM NAME	FLOORING		WALLS										CEILING			COMMENTS				
		MAT	COLOUR	NORTH	EAST	SOUTH	WEST	MAT	FINISH COLOUR	MAT	FINISH COLOUR	MAT	FINISH COLOUR	HGT	AFF						
		COV	COL	MAT	FINISH COLOUR	MAT	FINISH COLOUR	MAT	FINISH COLOUR	MAT	FINISH COLOUR	MAT	FINISH COLOUR	PT	BLACK	VARIES					
100	ELECTRICAL ROOM	EPOXY	A	EPXY COV	A	EXISTING FINISHED	CB	PT	C	CB	PT	C	CB	PT	C	METAL	PT	BLACK	VARIES		
101	VESTIBULE	EPOXY	A	EPXY COV	A	ALUM	P	C	ALUM	PT	C	CB	P	C	CB	PT	C	METAL	PT	BLACK	VARIES



EarthTech
A Tyco International Ltd. Company

DESIGNED BY: GGP
CHECKED BY: NC
DRAWN BY: GGP
APPROVED BY: JEH

HOR. SCALE: AS NOTED
VERTICAL SCALE: AS NOTED
RELEASED FOR CONSTRUCTION BY: J. VEILLEUX

DATE: 2005/12/27
DATE: 2006/04/26

ENGINEER'S SEAL
ORIGINAL SIGNED BY: N. COOPER
DATE: 2006/04/26

CONSULTANT DRAWING NO. SA9.01

THE CITY OF WINNIPEG
WATER AND WASTE DEPARTMENT
ENGINEERING DIVISION

WEWPC
BIOLOGICAL NUTRIENT REMOVAL UPGRADE
CONTRACT No. 3

ARCHITECTURAL
AREA S - BIOREACTORS
ELECTRICAL ROOM DETAILS, SECTION & SCHEDULES

CITY FILE NUMBER
SHEET 5 OF 5
CITY DRAWING NUMBER