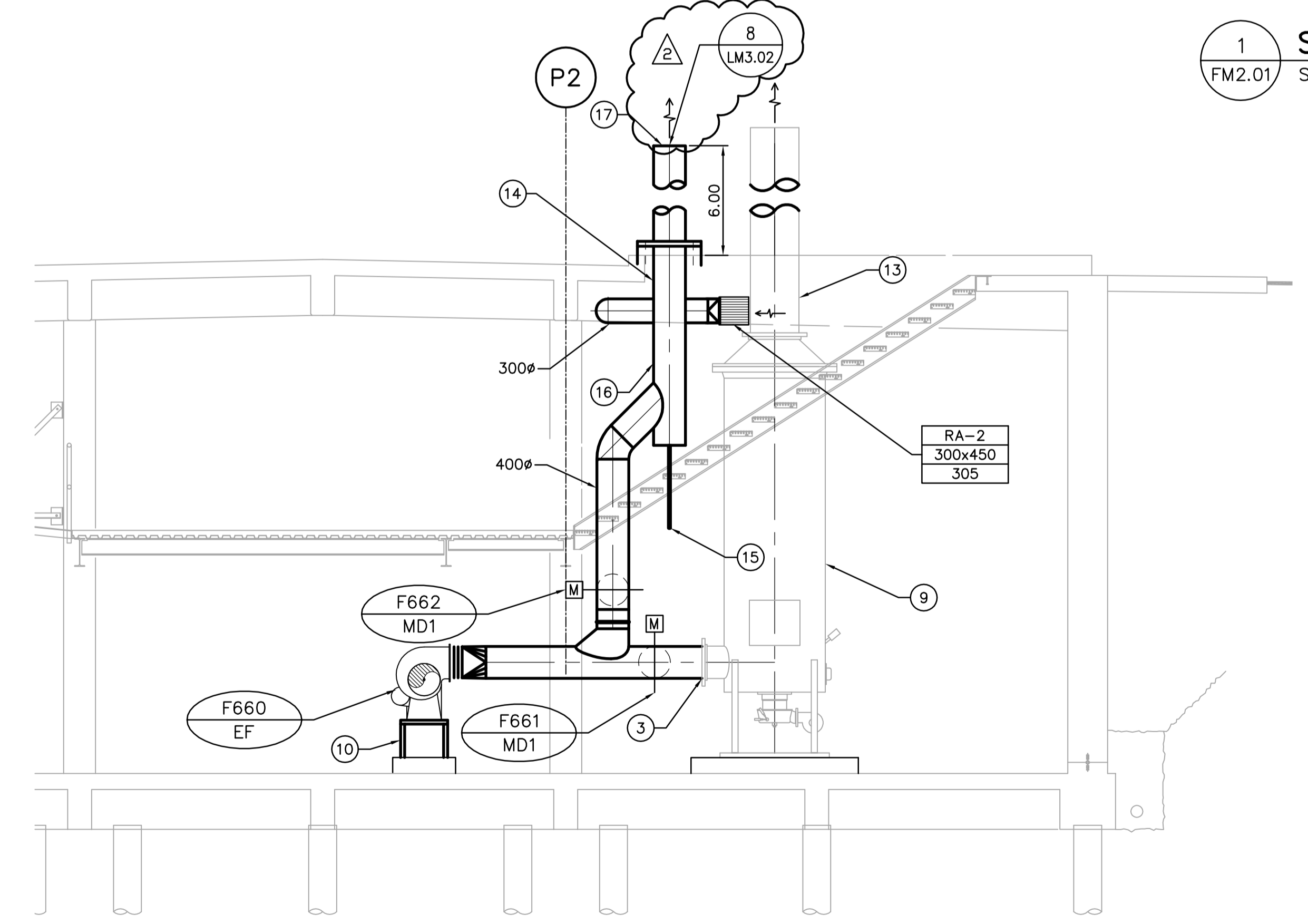


**1 SECTION**  
FM2.01 SCALE 1:50



**2 SECTION**  
FM2.01 SCALE 1:50

**DRAWING NOTES**

- 1 50mm THERMAL INSULATION TO PENETRATE THROUGH ROOF AND INTO ROOF CURB.
- 2 AIR DIFFUSERS SHALL BE SECURELY ANCHORED TO WALL (TYP OF 6).
- 3 400Ø DUCT TO THERMAL OXIDIZER.
- 4 F600-MUA TO BE MOUNTED ON 150mm HIGH CONCRETE PAD. CONCRETE PAD PROVIDED BY STRUCTURAL.
- 5 TO INTAKE OF F650-EF. F651-MD1 LOCATED 1500 AFF IN THIS DUCT.
- 6 FOUL AIR FROM H710-EF. SEE DRAWING PM2.01 FOR CONTINUATION.
- 7 PRESSURE SWITCH (F555-PIT) LOCATED AT HIGHEST POINT IN WETWELL. CONTROLS F650-EF.
- 8 300Ø SUPPLY AIR DUCT TO FLOOR MOUNTED SUPPLY AIR DIFFUSER.
- 9 THERMAL OXIDIZER (F661-TO) BY DIVISION II.
- 10 MECHANICAL CONTRACTOR TO PROVIDE STAND FOR F660-EF. CENTERLINE OF EXHAUST FAN DISCHARGE SHALL LINE UP w/ THERMAL OXIDIZER FOUL AIR CONNECTION CENTERLINE.
- 11 300mm LONG, 15' CONICAL INTAKE. LIP OF INTAKE TO BE FLUSH AGAINST UNDERSIDE OF CEILING.
- 12 ACOUSTICALLY INSULATE ENTIRE LENGTH OF 600x600 DUCT.
- 13 THERMAL OXIDIZER EXHAUST STACK BY DIVISION II.
- 14 THERMAL OXIDIZER BY-PASS STACK c/w 50mm INSULATION AND ALUMINUM JACKETING.
- 15 PIPE 15mm HOSE TO NEAREST DRAIN. FORM A P-TRAP IN HOSE NEAR GROUND LEVEL. P-TRAP TO HOLD AT LEAST A 150mm HIGH COLUMN OF WATER.
- 16 SUPPORT 400Ø BYPASS DUCT FROM UNDERSIDE OF CEILING
- 17 BY-PASS STACK TO BE 6.0 METERS ABOVE FERMENTER GALLERY ROOF.

**GENERAL NOTES**

1. COORDINATE WITH OTHER TRADES SO AS TO PREVENT CONFLICTS.
2. ALL DUCTWORK SHALL BE SUPPORTED AND SUSPENDED AS PER SPECIFICATIONS AND LOCAL CODES. (SEE DETAILS)



B.M. ELEV.		 A Tyco International Ltd. Company		ENGINEER'S SEAL	
				ORIGINAL SIGNED BY A. BURACHYNSKY	
DESIGNED BY	DC	CHECKED BY	PVL	2006/04/26	
DRAWN BY	DC	APPROVED BY	JEH	CONSULTANT DRAWING NO. FM4.01	
HOR. SCALE: AS NOTED		RELEASED FOR CONSTRUCTION BY: J. VEILLEUX			
VERTICAL SCALE:					
NO. REVISIONS	DATE	BY	DATE	2005/12/19	2006/04/26

**THE CITY OF WINNIPEG**  
WATER AND WASTE DEPARTMENT  
ENGINEERING DIVISION

**WEPCC**  
BIOLOGICAL NUTRIENT REMOVAL UPGRADE  
CONTRACT 3

MECHANICAL  
AREA F - PRIMARY SLUDGE FERMENTERS  
SECTION

CITY FILE NUMBER  
SHEET OF  
CITY DRAWING NUMBER