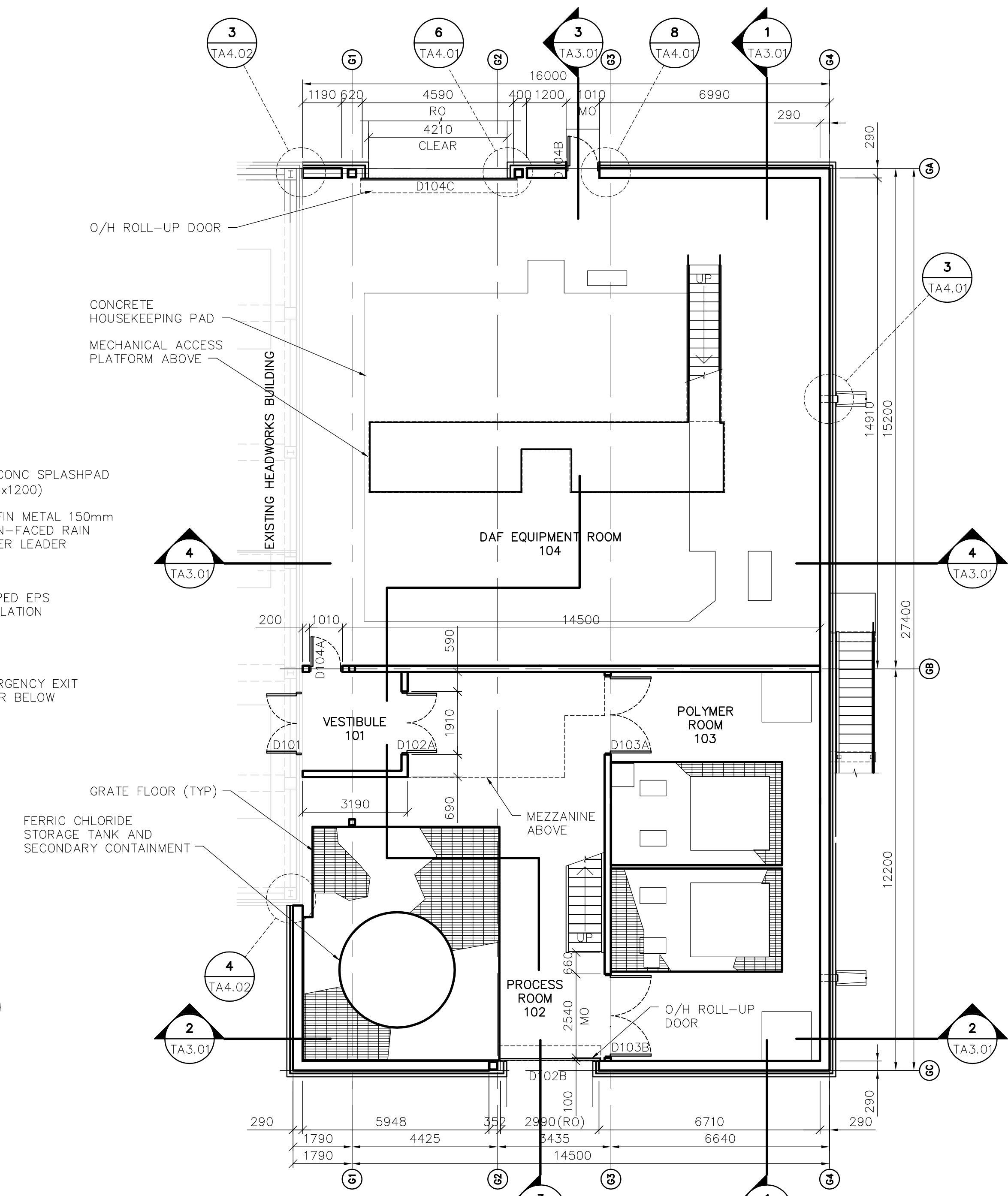
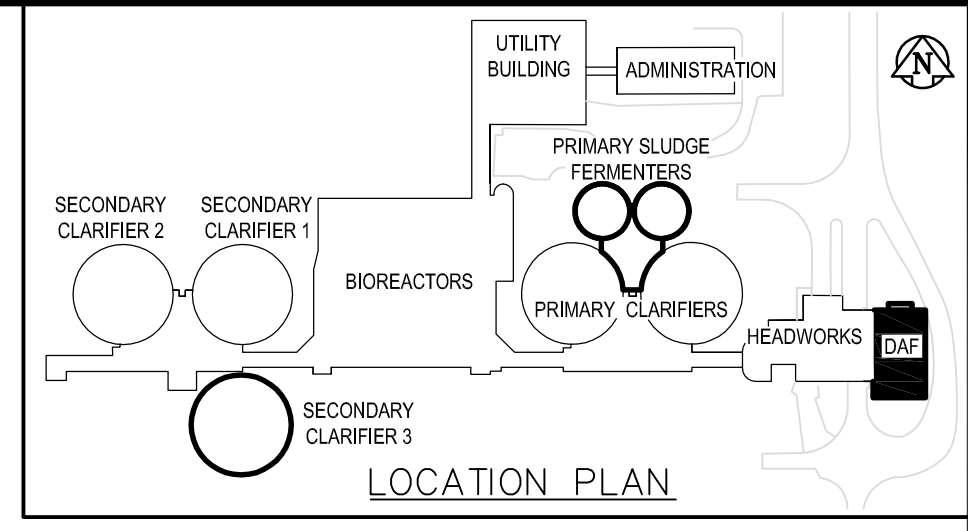


1 ROOF PLAN
1:100

NOTE: SEE STRUCTURAL FOR STAIR CONSTRUCTION



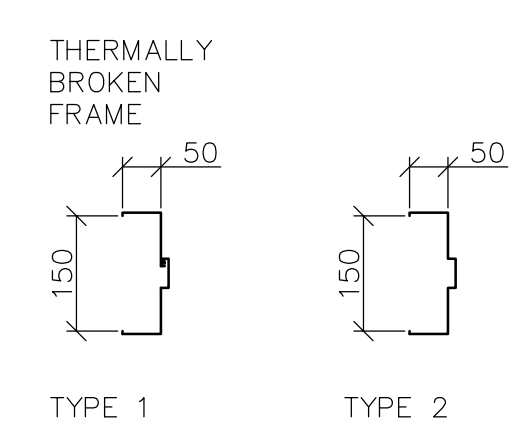
2 MAIN FLOOR PLAN
1:100



HARDWARE SCHEDULE

GROUP	ITEM	DESCRIPTION	QUANTITY	UNIT	
GROUP 1	D101, D102A	6 BUTT HINGES TA 314 115x100mm NRPMcKINNEY	26D		
		1 LOCKSET AU5407 x ASA YALE (W/CONST CYLINDER)	26D		
		2 FLUSHBOLTS F65 STANDARD METAL	26D		
		2 WEATHERSTRIP W29 1/6 + 2/7 KN CROWDER	CA		
		1 DOOR SWEEP W245 - 900 & 600mm KN CROWDER	CA		
		1 THRESHOLD CT11 - 1800 KN CROWDER	CA		
		1 ASTRAGAL W40P - 2100 KN CROWDER	CA		
		1 KICKPLATE K10C STANDARD METAL	26D		
		1 CLOSER 4040 LCN	689		
	GROUP 2	D104B, D201B	3 BUTT HINGES TA 314 115x100mm NRPMcKINNEY	26D	
		1 EXIT DEVICE 35A SERIES VON DUPRIN	626		
		1 WEATHERSTRIP W29 1/3 + 2/7 KN CROWDER	CA		
		1 DOOR SWEEP W245 - 900mm KN CROWDER	CA		
		1 THRESHOLD CT11 - 900mm KN CROWDER	CA		
		1 CLOSER 4040 LCN	689		
		1 KICKPLATE K10C STANDARD METAL	26D		
		BLANK (NO HARDWARE) ON EXTERIOR			
GROUP 3		D201A (RATED)	3 BUTT HINGES TA 314 115x100mm NRPMcKINNEY	26D	
			1 LOCKSET AU5402 x ASA YALE (WITHOUT CYLINDER)	26D	
		1 WALL STOP S122 STANDARD METAL	26D		
		1 KICKPLATE K10P STANDARD METAL	26D		
		1 CLOSER 1461 LCN	689		
GROUP 4	D104A, D202	3 BUTT HINGES TA 314 115x100mm NRPMcKINNEY	26D		
		1 LOCKSET AU5402 x ASA YALE (W/CONST CYLINDER)	26D		
		1 WALL STOP S122 STANDARD METAL	26D		
		1 KICKPLATE K10C STANDARD METAL	26D		
		1 CLOSER 4040 LCN	689		
GROUP 5	D103A, D103B	6 BUTT HINGES TA 314 115x100mm NRPMcKINNEY	26D		
		1 LOCKSET AU5407 x ASA YALE (W/CONST CYLINDER)	26D		
		2 FLUSHBOLTS F65 STANDARD METAL	26D		
		2 DOOR SWEEP W245 - 900 & 600mm KN CROWDER	CA		
		1 ASTRAGAL W40P - 2100 KN CROWDER	CA		
		1 KICKPLATE K10C STANDARD METAL	26D		
		1 CLOSER 4040 LCN	689		

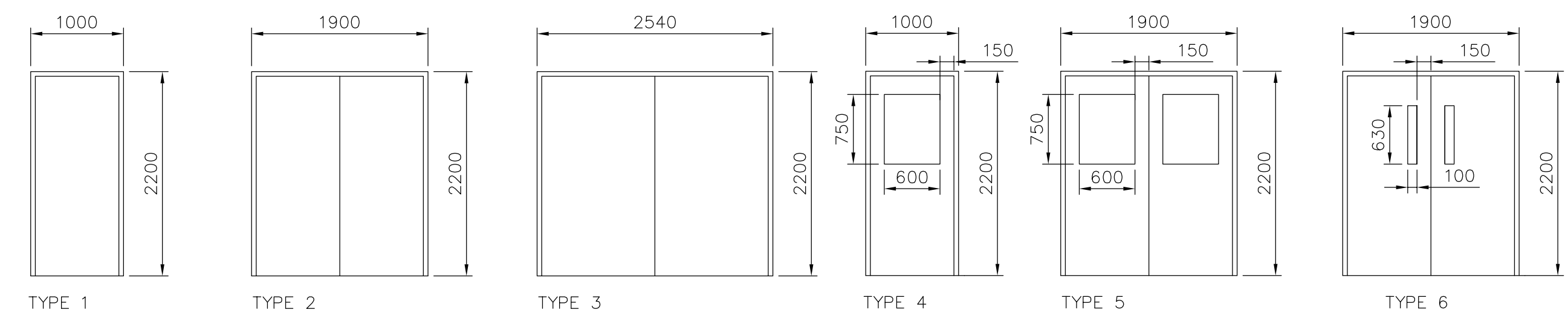
NOTE: ALL KICKPLATES TO BE MOUNTED ON PUSH SIDE



FRAME TYPES
SCALE: 1:10

DOOR SCHEDULE																	
DOOR NO	TO ROOM	DOOR					FRAME					HWD GROUP	FIRE RATING	GRILLES	COMMENTS		
		SIZE	SWING	TYPE	MAT	CORE	FINISH	COLOUR	PROFILE	MAT	TYPE					FINISH	COLOUR
D101	VESTIBULE	45x900x2150	LHR	6	HM	HC	PT	A	2	HM	WLD	PT	A	1	N/A	N/A	LHR ACTIVE
D102A	PROCESS	45x900x2150	RHR	5	HM	HC	PT	A	2	HM	WLD	PT	A	1	N/A	N/A	LHR ACTIVE
D102B	PROCESS	45x900x2150	O/H	N/A	METAL	INSUL	PREFIN	A	N/A	N/A	N/A	N/A	B	N/A	N/A	N/A	ROLL-UP PACKAGE
D103A	POLYMER	45x1220x2150	LH	3	HM	HC	PT	A	2	HM	WLD	PT	A	1	N/A	N/A	LHR ACTIVE
D103B	POLYMER	45x1220x2150	RH	3	HM	HC	PT	A	2	HM	WLD	PT	A	1	N/A	N/A	LHR ACTIVE
D104A	DAF EQUIPMENT	45x900x2150	LH	4	HM	HC	PT	A	2	HM	WLD	PT	A	1	N/A	N/A	LHR ACTIVE
D104B	DAF EQUIPMENT	45x900x2150	RHR	1	HM	INSUL	PT	A	1	HM	WLD	PT	A	2	N/A	N/A	LHR ACTIVE
D104C	DAF EQUIPMENT	50x4700x4200	O/H	N/A	METAL	INSUL	PREFIN	A	N/A	N/A	N/A	N/A	B	N/A	N/A	N/A	ROLL-UP PACKAGE

FINISH SCHEDULE																			
ROOM NO	ROOM NAME	FLOOR		WALLS								CEILING			COMMENTS				
		FLOORING	BASE	NORTH	EAST	SOUTH	WEST	CEILING	COLOUR	HGT	AFF								
		MAT	COLOUR	MAT	COL	MAT	FINISH	COLOUR	MAT	FINISH	COLOUR	MAT	FINISH	COLOUR		HGT	AFF		
101	VESTIBULE	EPOXY	A	EPXY COV	A	CB	PT	C	CB	PT	C	CB	PT	C	CB	PT	D.GRAY	2900	
102	PROCESS	EPOXY	A	EPXY COV	A	CB	PT	C	CB	PT	C	CB	PT	C	CB	PT	D.GRAY	+/-8150	
103	POLYMER	EPOXY	A	EPXY COV	A	CB	PT	C	CB	PT	C	CB	PT	C	CB	PT	D.GRAY	4100	
104	DAF EQUIPMENT	EPOXY	A	EPXY COV	A	CB	PT	C	CB	PT	C	CB	PT	C	CB	PT	D.GRAY	+/-8150	



DOOR TYPES
SCALE: 1:50



B.M. ELEV.	EarthTech A Tyco International Ltd. Company	ENGINEER'S SEAL ORIGINAL SIGNED BY N. COOPER 2006/04/26	THE CITY OF WINNIPEG WATER AND WASTE DEPARTMENT ENGINEERING DIVISION
DESIGNED BY: NC	CHECKED BY: NC	CONSULTANT DRAWING NO. TA1.01	CITY FILE NUMBER SHEET 1 OF 6 CITY DRAWING NUMBER
DRAWN BY: LK/AL	APPROVED BY: JEH		
HOR. SCALE: AS NOTED	RELEASED FOR CONSTRUCTION BY: J. VEILLEUX		
VERTICAL SCALE: AS NOTED	DATE: 2006/01/03		
NO. REVISIONS	DATE	BY	DATE: 2006/04/26

WEWPCC
BIOLOGICAL NUTRIENT REMOVAL UPGRADE
CONTRACT No. 3

ARCHITECTURAL
AREA T - DAF THICKENER BUILDING
ROOF PLAN, FLOOR PLANS, & SCHEDULES