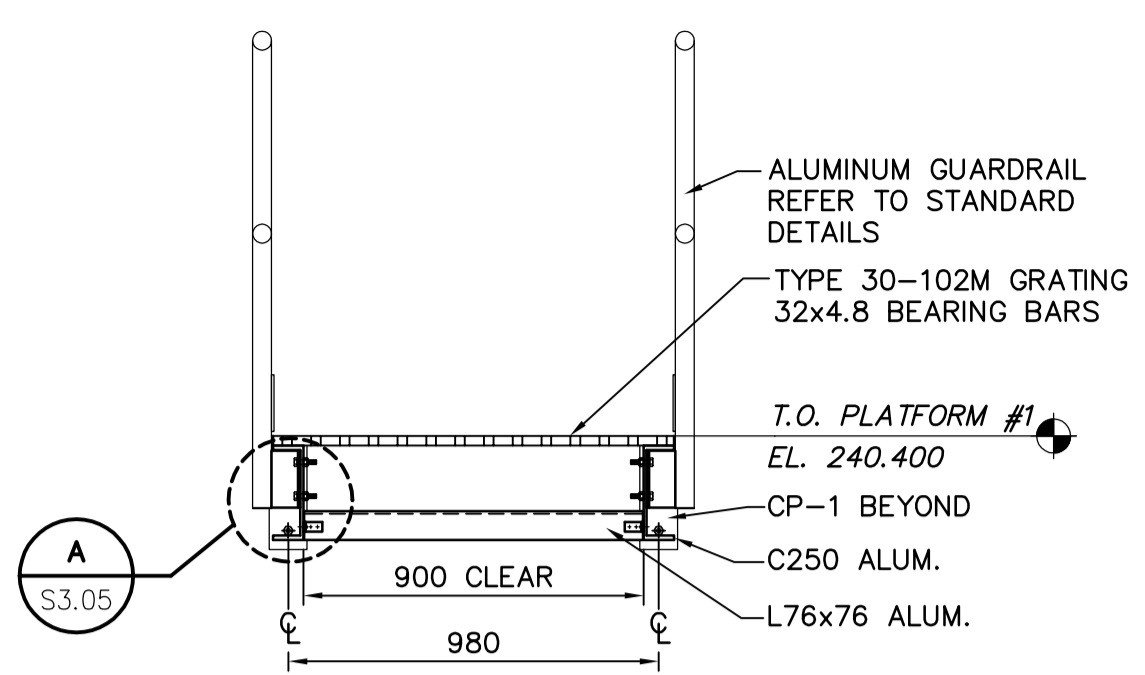
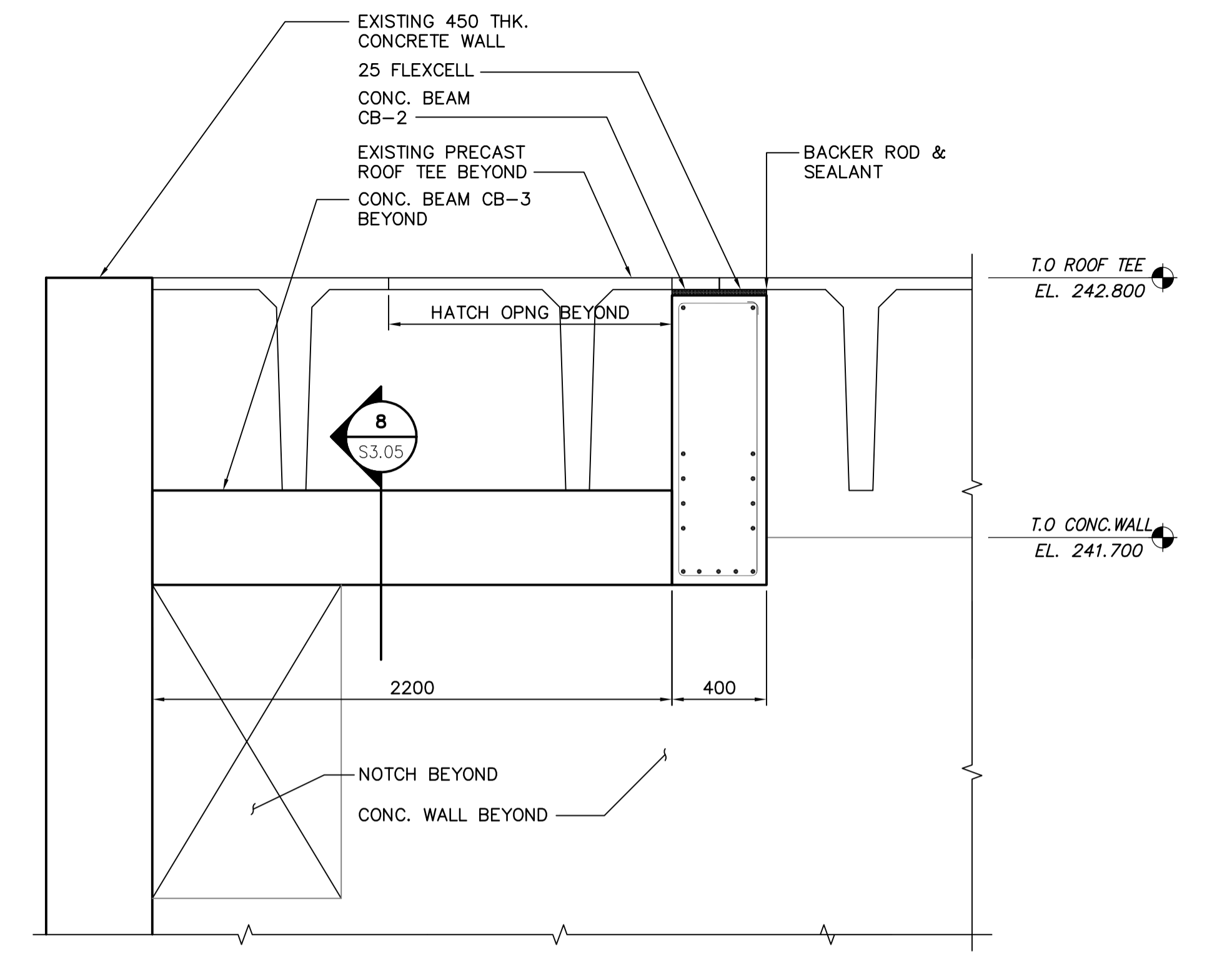


**1 PLATFORM PLAN #1**  
SS2.02 SCALE 1:20

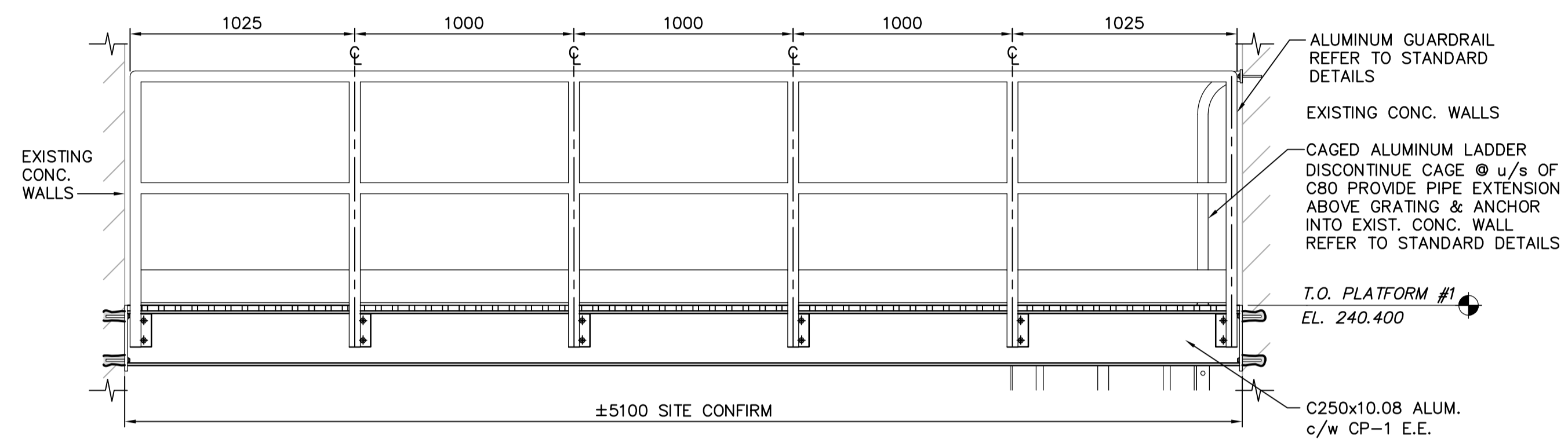
1. DESIGN LOADS:  
a) DEAD LOAD = 0.5 kPa  
b) LIVE LOAD = 4.8 kPa



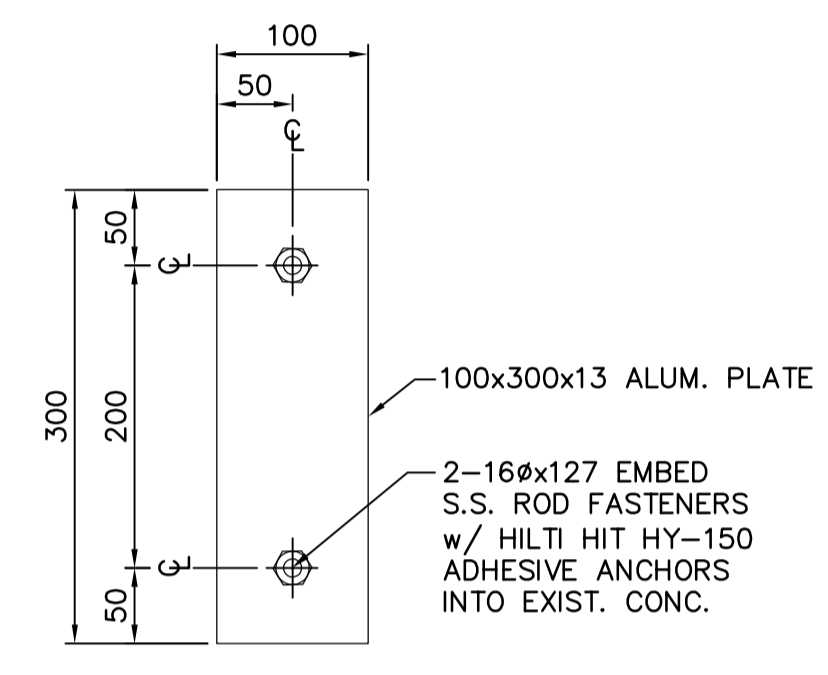
**4 PLATFORM #1 SECTION**  
SS3.05 SCALE 1:20



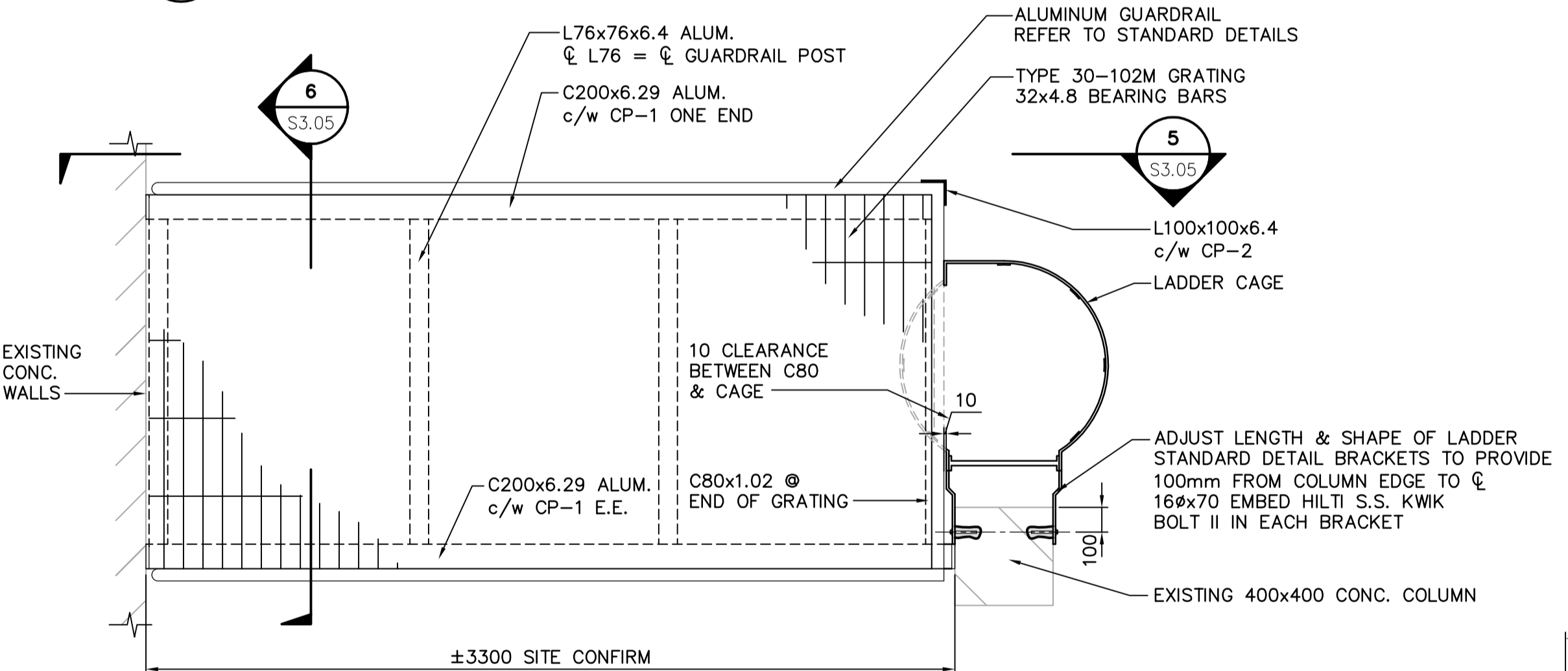
**7 SECTION THRU BEAM**  
SS2.04 SCALE 1:30



**3 PLATFORM #1 ELEVATION**  
SS3.05 SCALE 1:20

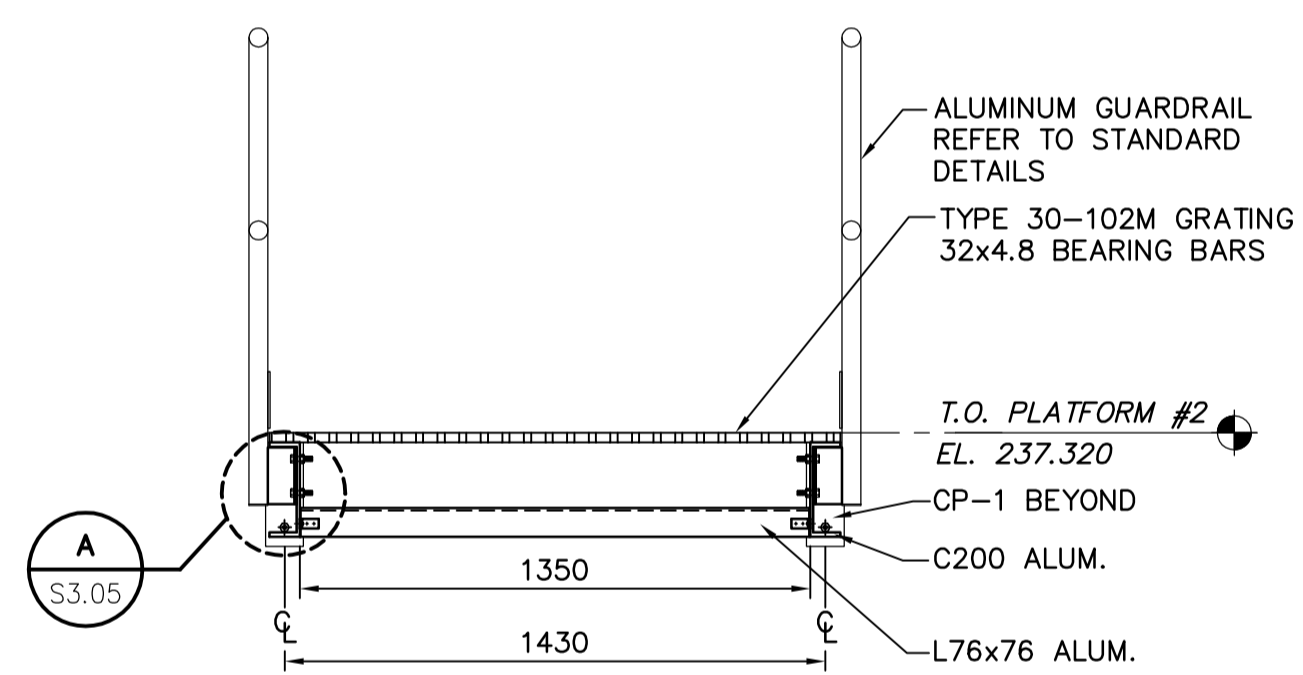


**A CP-1 DETAIL**  
SS3.05 SCALE 1:5

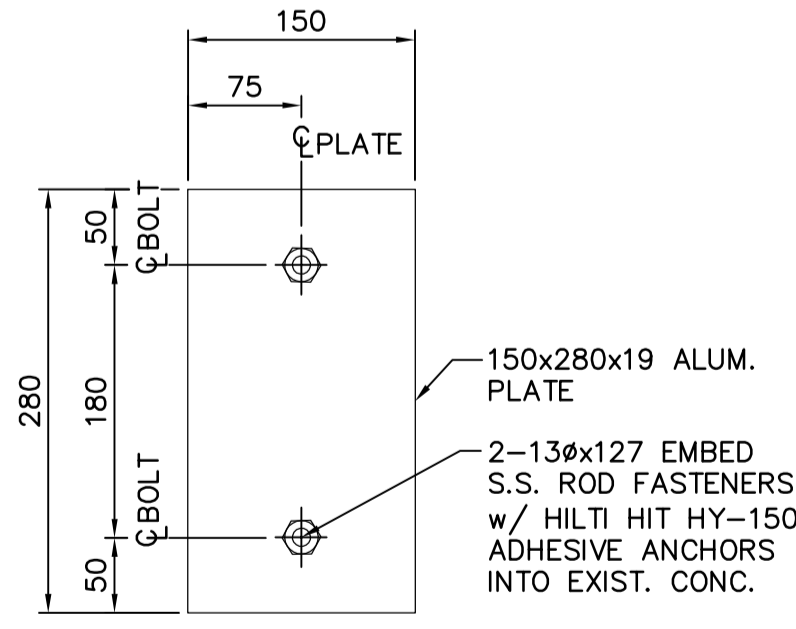


**2 PLATFORM PLAN #2**  
SS2.02 SCALE 1:20

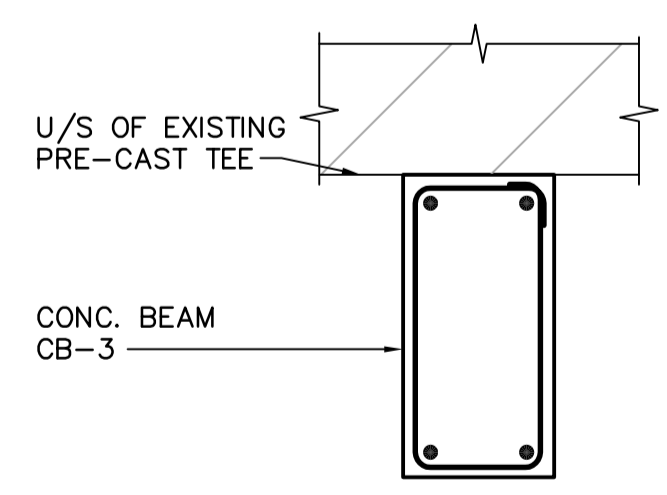
1. DESIGN LOADS:  
a) DEAD LOAD = 0.5 kPa  
b) LIVE LOAD = 4.8 kPa



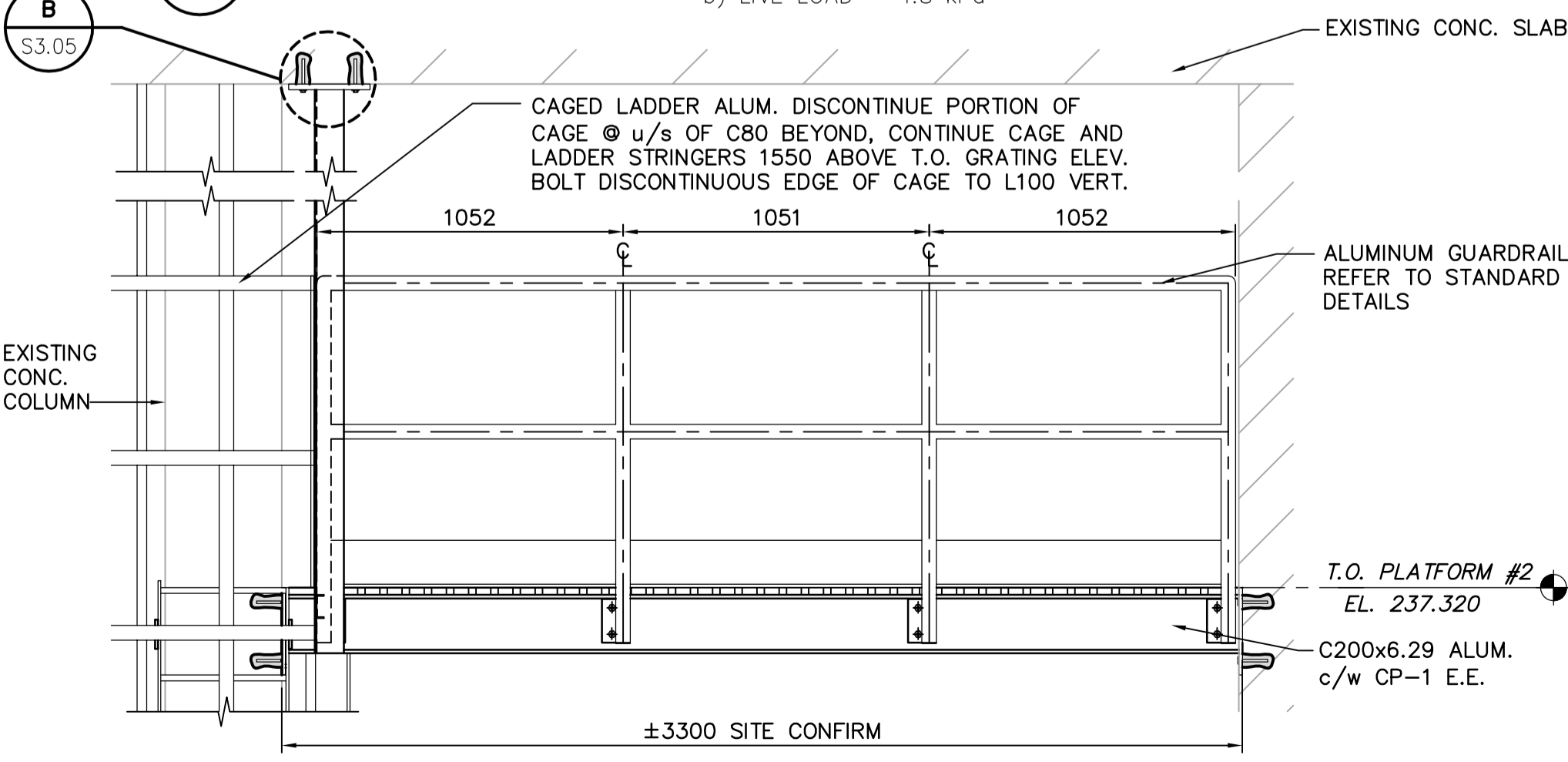
**6 PLATFORM #2 SECTION**  
SS3.05 SCALE 1:20



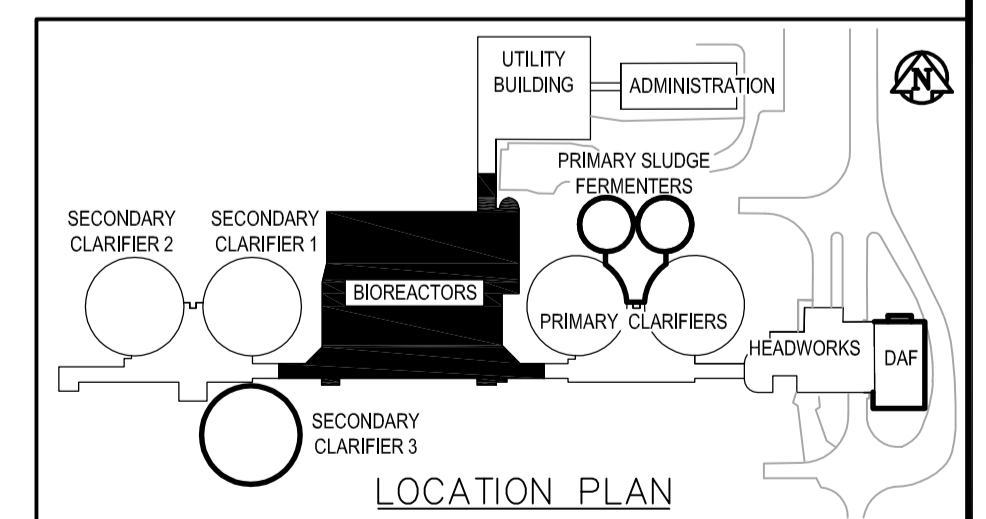
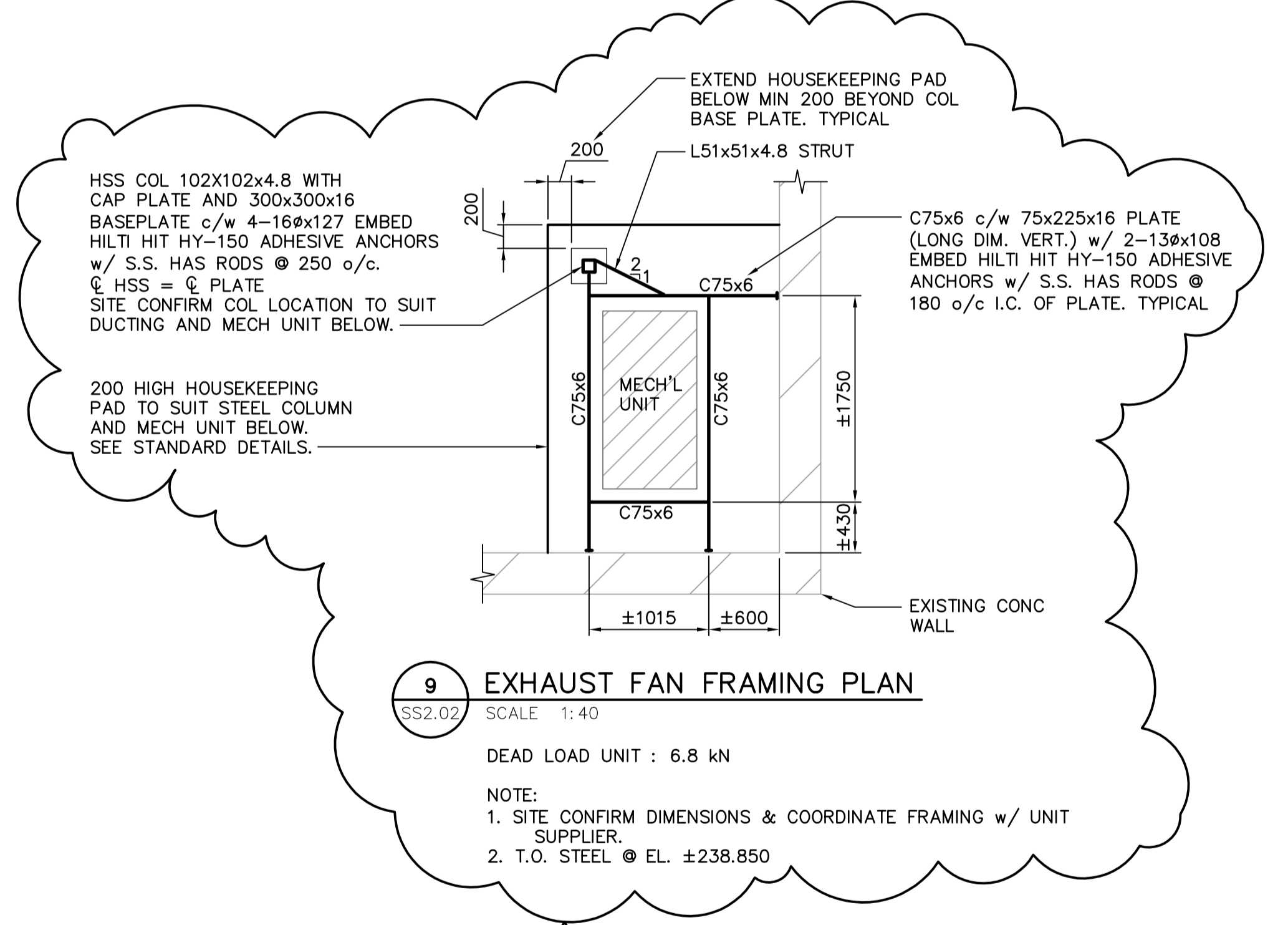
**B CP-2 DETAIL**  
SS3.05 SCALE 1:5



**8 SECTION THRU BEAM**  
SS2.04 SCALE 1:30



**5 PLATFORM #2 ELEVATION**  
SS3.05 SCALE 1:20



<p><b>EarthTech</b> A Tyco International Ltd. Company</p>		<p>ENGINEER'S SEAL</p> <p>ORIGINAL SIGNED BY J. BETKE</p> <p>2006/04/26</p>	<p><b>THE CITY OF WINNIPEG</b> WATER AND WASTE DEPARTMENT ENGINEERING DIVISION</p> <p>WEWPCB BIOLOGICAL NUTRIENT REMOVAL UPGRADE CONTRACT 3</p>
<p>B.M. ELEV.</p>	<p>DESIGNED BY AA/JB</p> <p>CHECKED BY AA/JB</p> <p>DRAWN BY KK/CMF</p> <p>APPROVED BY JEH</p> <p>HOR. SCALE: AS NOTED</p> <p>VERTICAL SCALE:</p> <p>RELEASED FOR CONSTRUCTION BY: J. VEILLEUX</p>	<p>CONSULTANT DRAWING NO. SS3.05</p>	<p>CITY FILE NUMBER</p> <p>SHEET OF</p> <p>CITY DRAWING NUMBER</p>
<p> Certificate of Authorization Earth Tech Canada Inc. No. 730 Expiry: April 30, 2006</p>	<p>NO. REVISIONS</p> <p>DATE</p> <p>BY</p> <p>DATE</p> <p>2006/04/18</p> <p>DATE</p> <p>2006/04/26</p>	<p>2006/04/26</p>	<p>STRUCTURAL AREA S - BIOREACTORS PLATFORM PLAN, SECTIONS &amp; DETAILS</p>