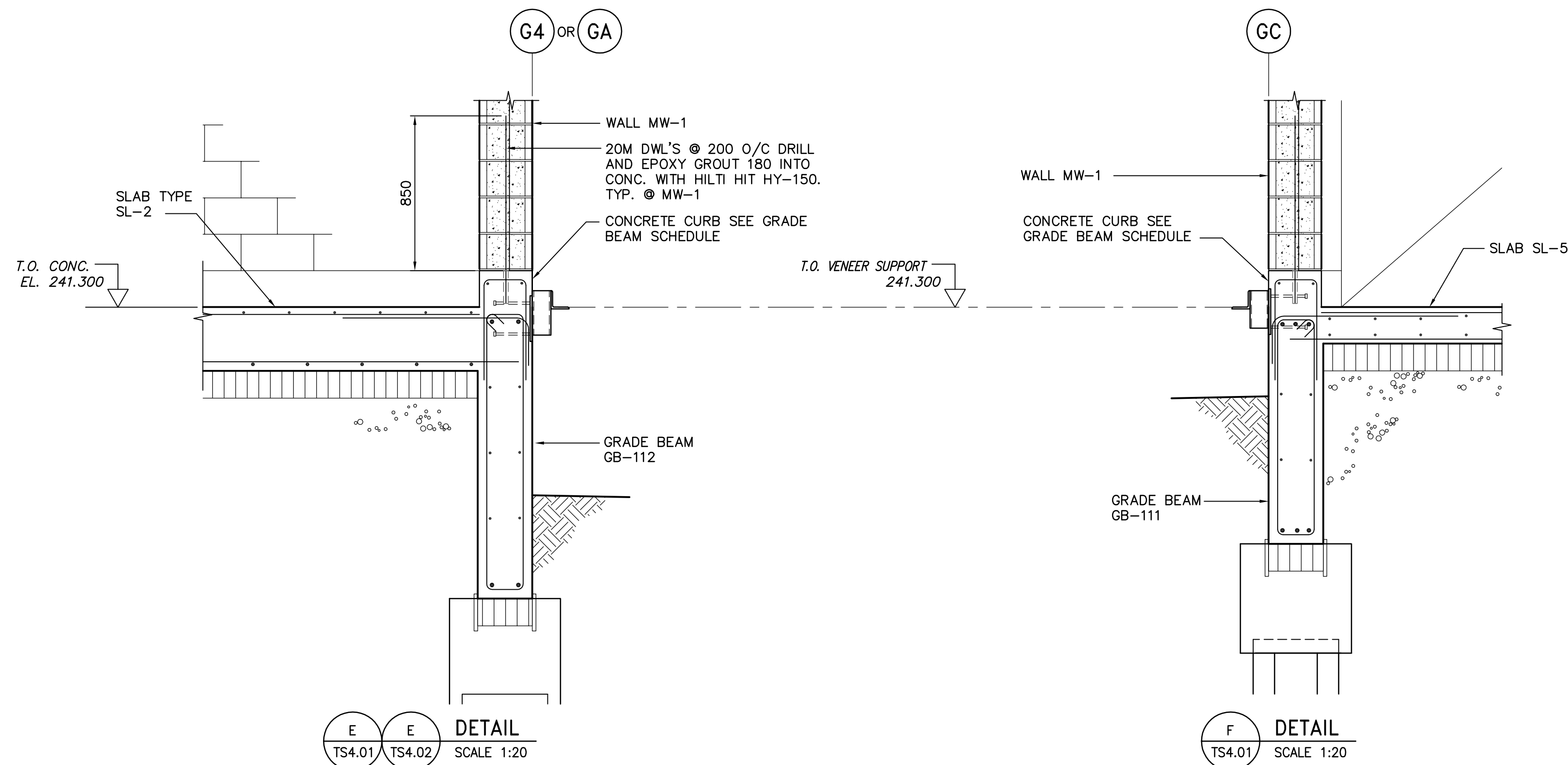


A DETAIL
TS4.02 SCALE 1:20

B DETAIL
TS4.02 SCALE 1:20

C DETAIL
TS4.02 SCALE 1:20

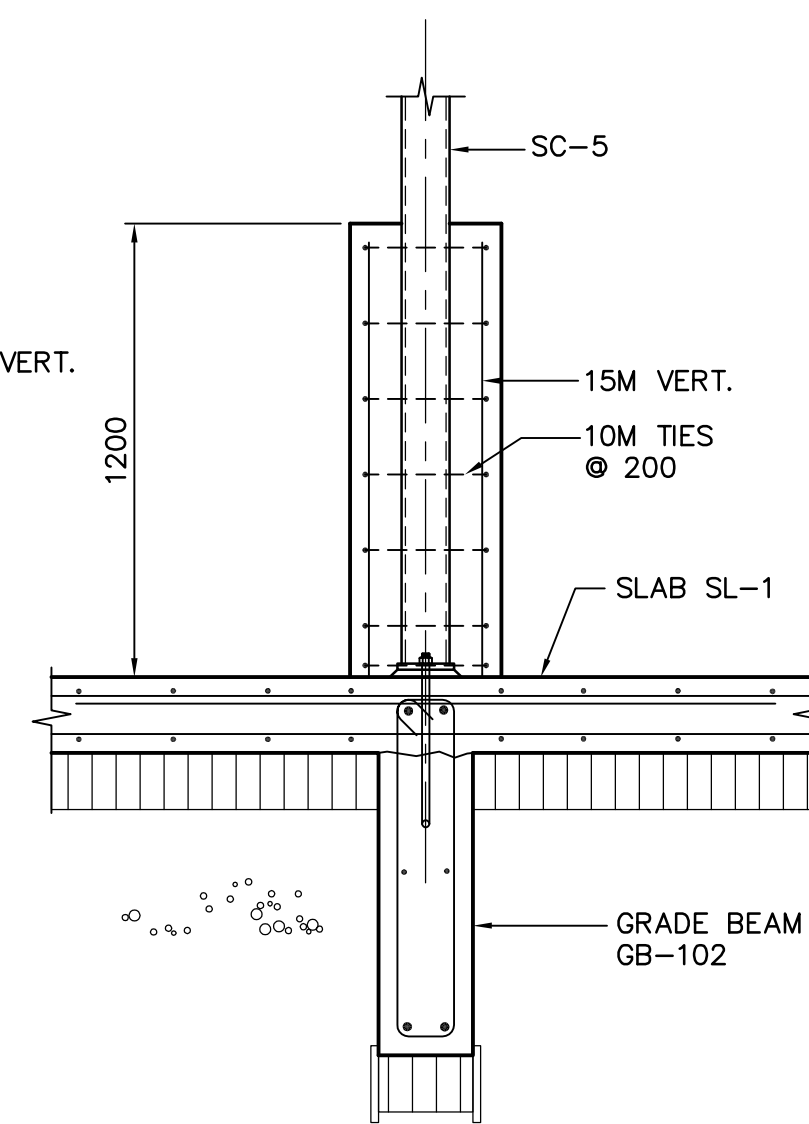
D DETAIL
TS4.02 SCALE 1:20



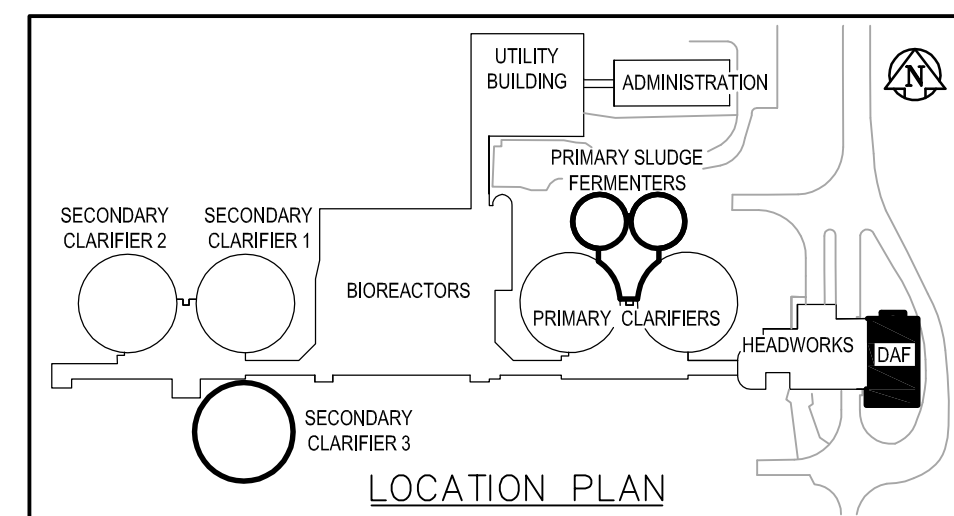
E DETAIL
TS4.01 TS4.02 SCALE 1:20

F DETAIL
TS4.01 SCALE 1:20

G DETAIL
TS2.03 SCALE 1:20



2 SECTION
SCALE 1:20



APEGM
Certificate of Authorization
Earth Tech Canada Inc.
No. 730 Expiry: April 30, 2006

NO.	REVISIONS	DATE	BY
01	21-2006 ADDENDUM 3	06/05/19	WDB
00	ISSUED FOR TENDER	06/04/26	CMF

EarthTech A Tyco International Ltd. Company	
DESIGNED BY: ARA	CHECKED BY: LR
DRAWN BY: NDH	APPROVED BY: JEH
HOR. SCALE: AS NOTED	RELEASED FOR CONSTRUCTION BY: J. VEILLEUX
VERTICAL SCALE:	DATE: 2006/03/13
DATE: 2006/03/13	DATE: 2006/04/26

ENGINEER'S SEAL
ORIGINAL SIGNED BY
L.L. RIDING
2006/04/26
CONSULTANT DRAWING NO.
TS5.03

THE CITY OF WINNIPEG
WATER AND WASTE DEPARTMENT
ENGINEERING DIVISION

WEWPC
BIOLOGICAL NUTRIENT REMOVAL UPGRADE
CONTRACT 3

STRUCTURAL
SECTIONS AND DETAILS

CITY FILE NUMBER
SHEET OF
CITY DRAWING NUMBER