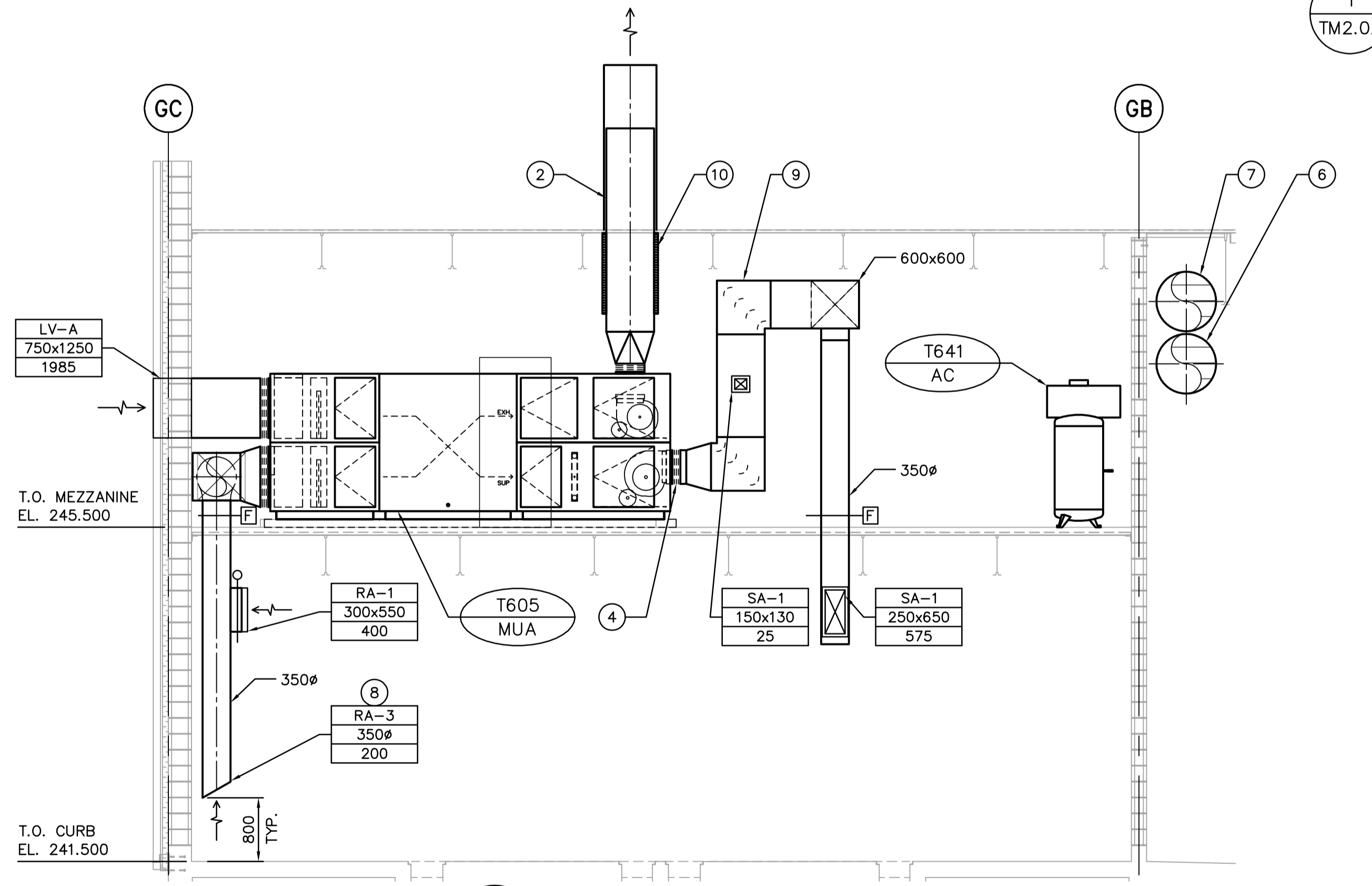
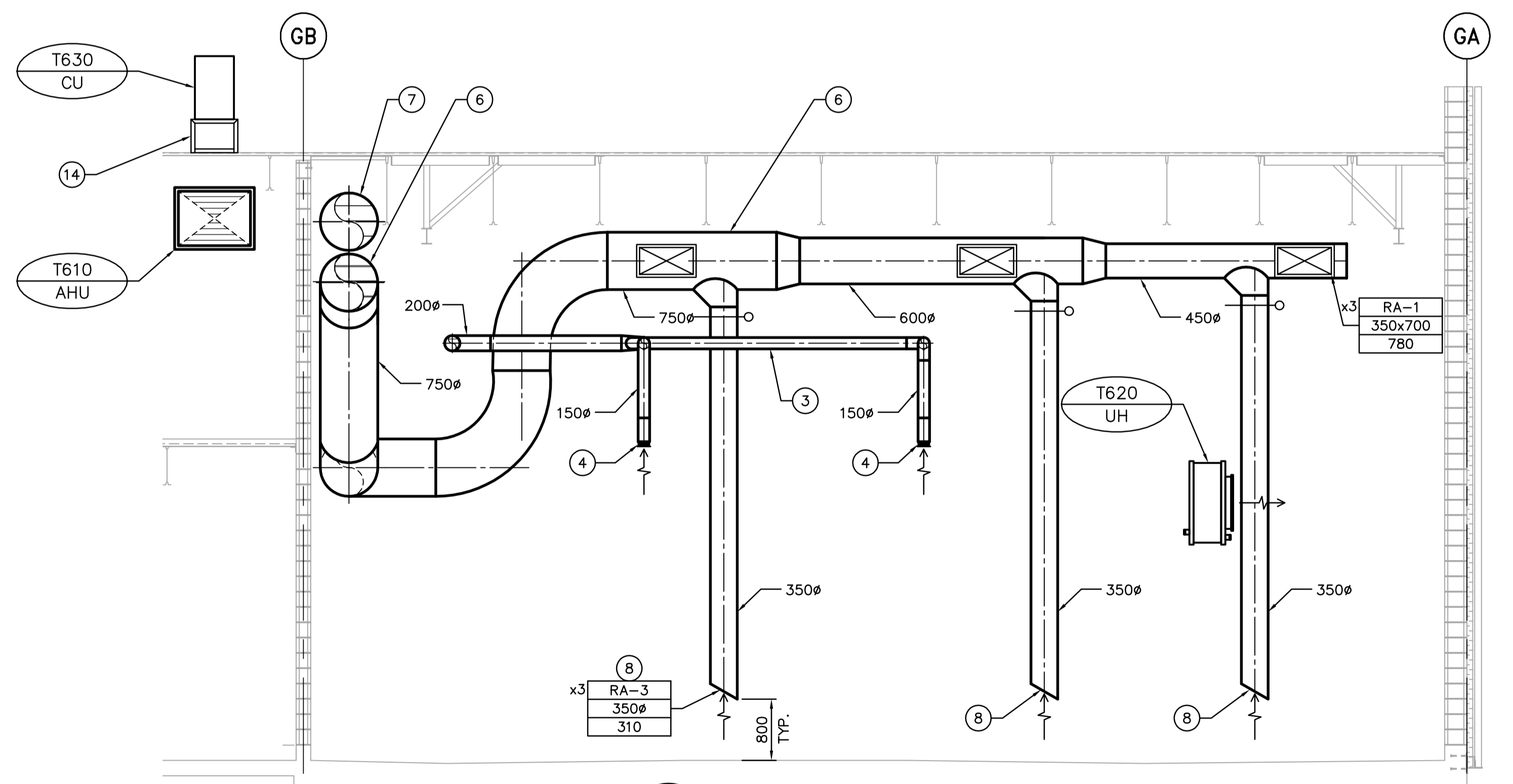


**1 SECTION**  
TM2.02 SCALE 1:50

- DRAWING NOTES**
- 1 2000mm x 750mm AIR INTAKE FOR T600-MUA c/w 600mm INSULATED ROOF CURB.
  - 2 600mmØ T605-MUA EXHAUST AIR.
  - 3 EXHAUST DUCT OF 2 DAF TANKS.
  - 4 FLEXIBLE DUCT CONNECTIONS.
  - 5 SUPPLY DUCT OF T600-MUA.
  - 6 RETURN DUCT OF T600-MUA.
  - 7 EXHAUST DUCT OF T600-MUA.
  - 8 13mm SQUARE WIRE MESH.
  - 9 SUPPLY DUCT FROM T605-MUA.
  - 10 50mm THERMAL EXTERIOR INSULATION.
  - 11 BOILER FRAME.
  - 12 250Ø COMBUSTION AIR INTAKE DOWN FROM ROOF LEVEL. TERMINATE WITH RAIN CAP AND METAL FLASHING. INTAKE OPENING TO BE MINIMUM 500mm ABOVE MAXIMUM SNOW LINE. TYPICAL FOR EACH BOILER.
  - 13 50Ø FLUE UP ABOVE ROOF LEVEL. TERMINATE WITH RAIN CAP AND METAL FLASHING. CONFIRM ON-SITE EXACT HEIGHT OF CHIMNEY. MAINTAIN MINIMUM 1700mm ABOVE MAXIMUM SNOW LINE AND 1200mm ABOVE COMBUSTION AIR INTAKE OPENING.
  - 14 MECHANICAL CONTRACTOR TO PROVIDE 300 HIGH STEEL PLATFORM FOR T630-CU TO SIT ON. UNIT AND PLATFORM SHALL BE SECURELY MOUNTED TO ROOF.
  - 15 INSTALL INSECT SCREEN ON AIR INTAKE.
  - 16 EXTEND GAS PRV VENT UP THROUGH PITCH POCKET ON ROOF.



**2 SECTION**  
TM2.02 SCALE 1:50



**3 SECTION**  
TM2.02 SCALE 1:50

- GENERAL NOTES**
1. COORDINATE WITH OTHER TRADES SO AS TO PREVENT CONFLICTS.
  2. ALL DUCTWORK SHALL BE SUPPORTED AND SUSPENDED AS PER SPECIFICATIONS AND LOCAL CODES (SEE 4 FOR DETAILS).
  3. ALL DUCTWORK SHALL BE STAINLESS STEEL.



<p><b>EarthTech</b> A Tyco International Ltd. Company</p>			
DESIGNED BY	AB/LJW	CHECKED BY	PVL
DRAWN BY	LJW/DL	APPROVED BY	JEH
HOR. SCALE: 1:50		RELEASED FOR CONSTRUCTION BY: J. VEILLEUX	
VERTICAL SCALE:		DATE 2006/01/04	
NO. REVISIONS	DATE	BY	DATE
01	21-2006 ADDENDUM 3	06/05/19	LJW
00	ISSUED FOR TENDER	06/04/26	DC

ENGINEER'S SEAL

ORIGINAL SIGNED BY  
**A. BURACHYNSKY**  
2006/04/26

CONSULTANT DRAWING NO.  
**TM4.01**

**THE CITY OF WINNIPEG**  
WATER AND WASTE DEPARTMENT  
ENGINEERING DIVISION

**WEWPC**  
BIOLOGICAL NUTRIENT REMOVAL UPGRADE  
CONTRACT 3

CITY FILE NUMBER \_\_\_\_\_  
SHEET \_\_\_\_\_ OF \_\_\_\_\_  
CITY DRAWING NUMBER \_\_\_\_\_

MECHANICAL  
AREA T - DAF THICKENER BUILDING  
SECTIONS