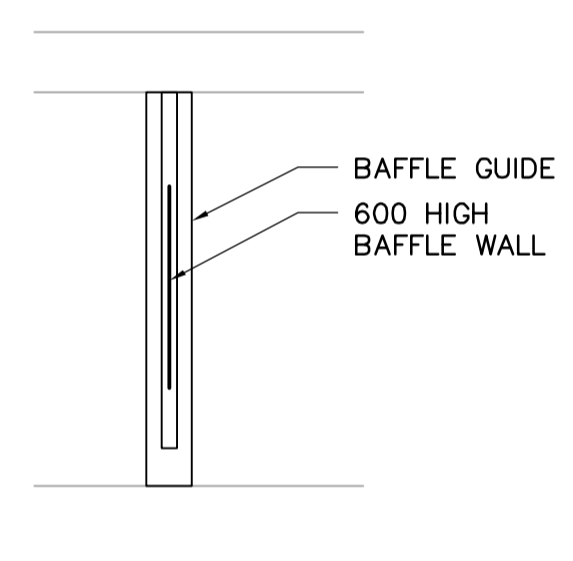


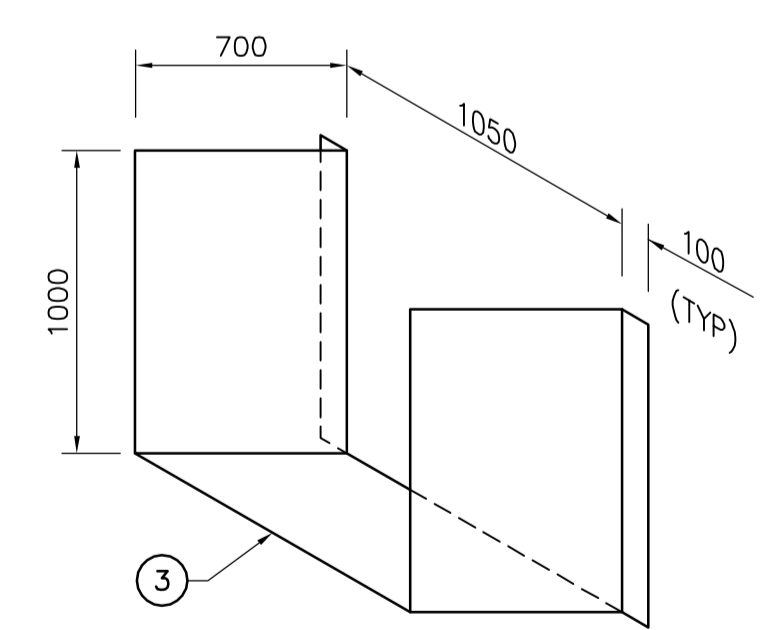
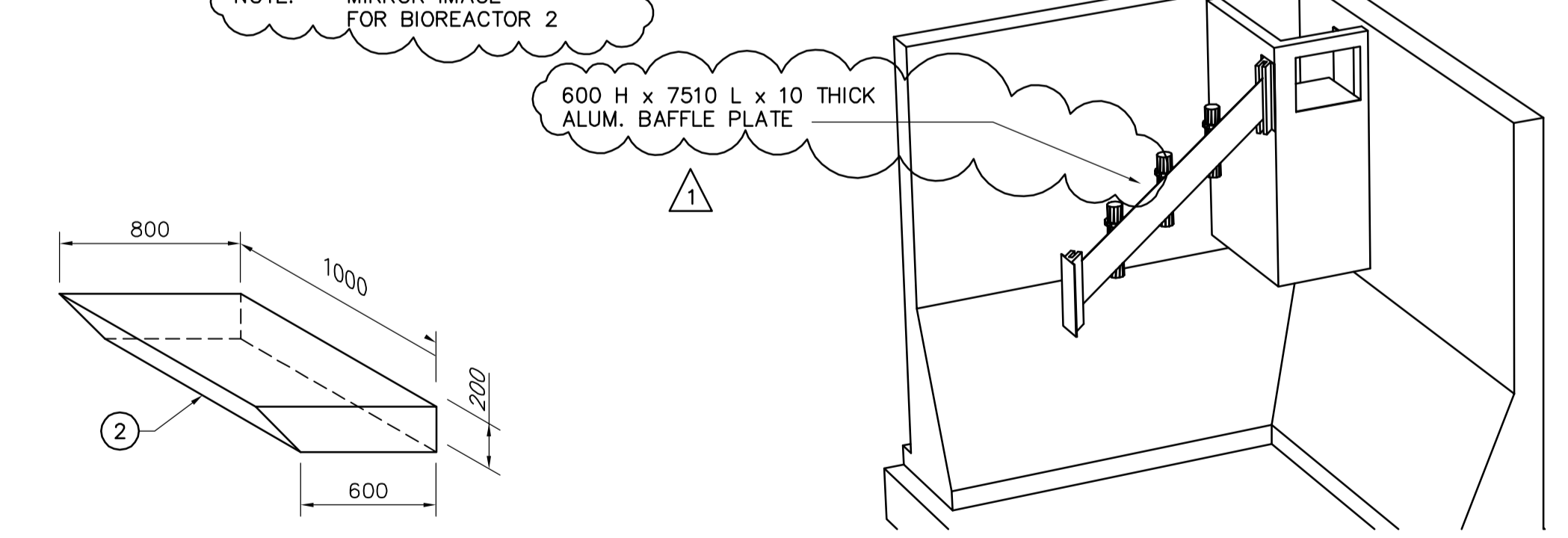
DRAWING NOTES

- 1 CONCRETE WAS BOX. REFER TO STRUCTURAL DRAWINGS FOR DETAILS. PROVIDE CUT-OUT AS SHOWN TO FASTEN WAS BOX FRAME AND FLOAT.
- 2 THE BOX IS TO BE 200MM HIGH X 1000MM WIDE AND RANGE FROM 600MM TO 800MM DEEP. A NEOPRENE GASKET 1000X1100X3MM WILL EXTEND FROM THE EDGE OF THE MLSS WALL OPENING TO THE END OF THE WAS COLLECTION BOX (1100MM) AND IS DESIGNED TO EXTEND 10MM BEYOND EITHER SIDE OF THE ALUMINUM CLAMPING PLATES. PROVIDE A PLUGGED DRAIN ON THE UNDERSIDE OF THE BOX WHICH CAN ALSO BE USED AS A FILL PORT WHEN THE BOX IS IN THE VERTICAL POSITION. PROVIDE A LATCH ON THE BOX SO THAT THE BOX CAN BE LATCHED IN THE UPRIGHT POSITION TO SEAL THE OPENING.
- 3 MODIFY THE ALUMINUM SIDE PLATES AS SHOWN IN WAS "BOX FRAME" DETAIL. PROVIDE A NEOPRENE GASKET BEHIND THE SIDE PLATES TO ISOLATE THE ALUMINUM SIDE PLATES FROM THE GROUT AND CONCRETE. GROUT THE AREA BEHIND THE NEOPRENE TO ENSURE THAT THE SURFACE WILL BE SMOOTH AND THAT THE DISTANCE BETWEEN THE TWO SIDE PLATES WILL BE 100MM.



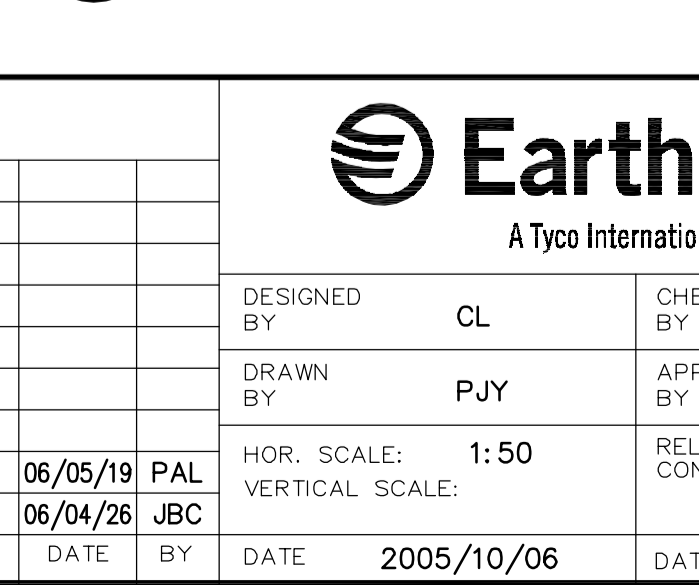
C BAFFLE GUIDE DETAIL
1:25

B WAS BOX AND BAFFLE DETAIL
SP1.01 1:25

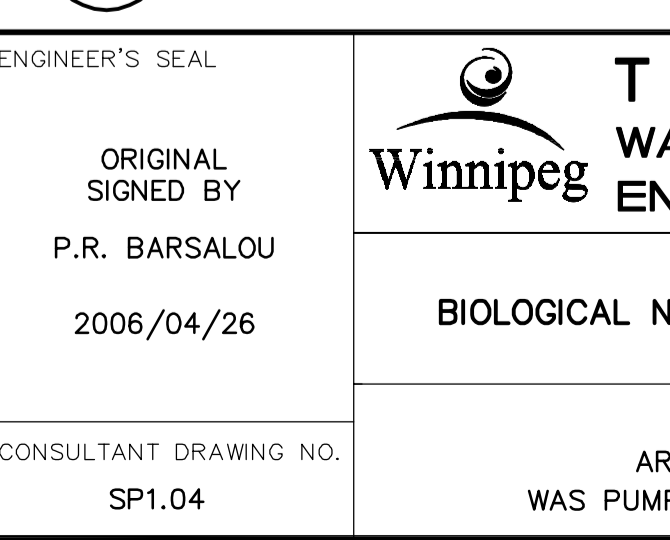


D WAS BOX FRAME DETAIL
1:25

E WAS BOX FLOAT DETAIL
1:25



F WAS AREA ISOMETRIC
1:25



A DETAIL PLAN - WAS PUMPING
SP1.01 1:25

GENERAL NOTES

1. CONTRACTOR TO CONFIRM PIPE DIMENSIONS AND EQUIPMENT LOCATIONS PRIOR TO CONSTRUCTION.

FOR CONTINUATION SEE DRAWING SP1.02

FOR CONTINUATION SEE DRAWING SP1.03



B.M. ELEV.			
DESIGNED BY	CL	CHECKED BY	KM
DRAWN BY	PJY	APPROVED BY	JEH
01 21-2006 ADDENDUM 3	06/05/19	PAL	
00 ISSUED FOR TENDER	06/04/26	JBC	
NO. REVISIONS	DATE	BY	DATE
	2005/10/06		2006/04/26



ENGINEER'S SEAL
ORIGINAL SIGNED BY
P.R. BARSALOU
2006/04/26
CONSULTANT DRAWING NO.
SP1.04

THE CITY OF WINNIPEG
WATER AND WASTE DEPARTMENT
ENGINEERING DIVISION

WEWPCC
BIOLOGICAL NUTRIENT REMOVAL UPGRADE
CONTRACT 3
CITY FILE NUMBER
SHEET OF
PROCESS
AREA S - BIOREACTORS
WAS PUMPING - PLAN AND SECTIONS
CITY DRAWING NUMBER