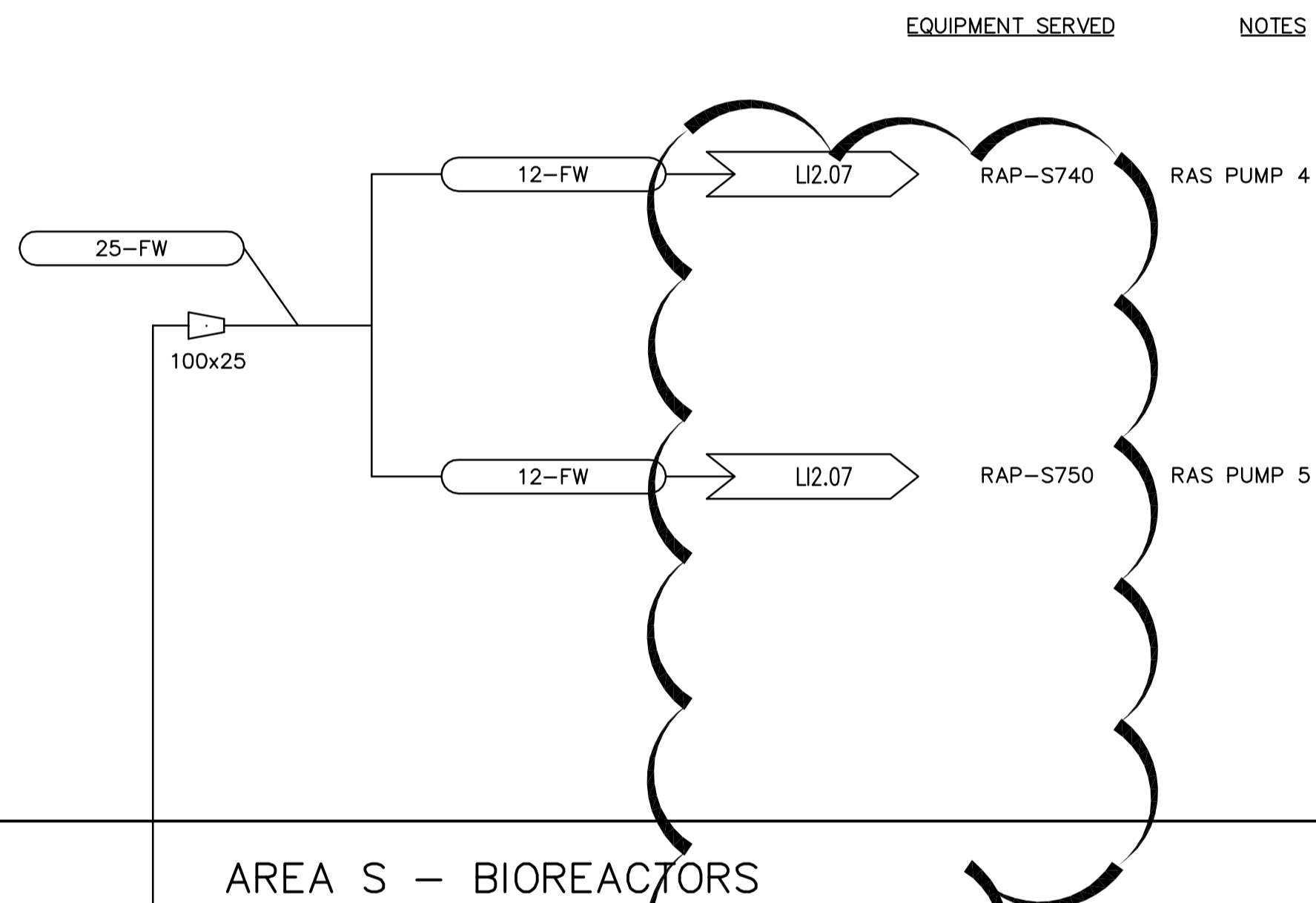


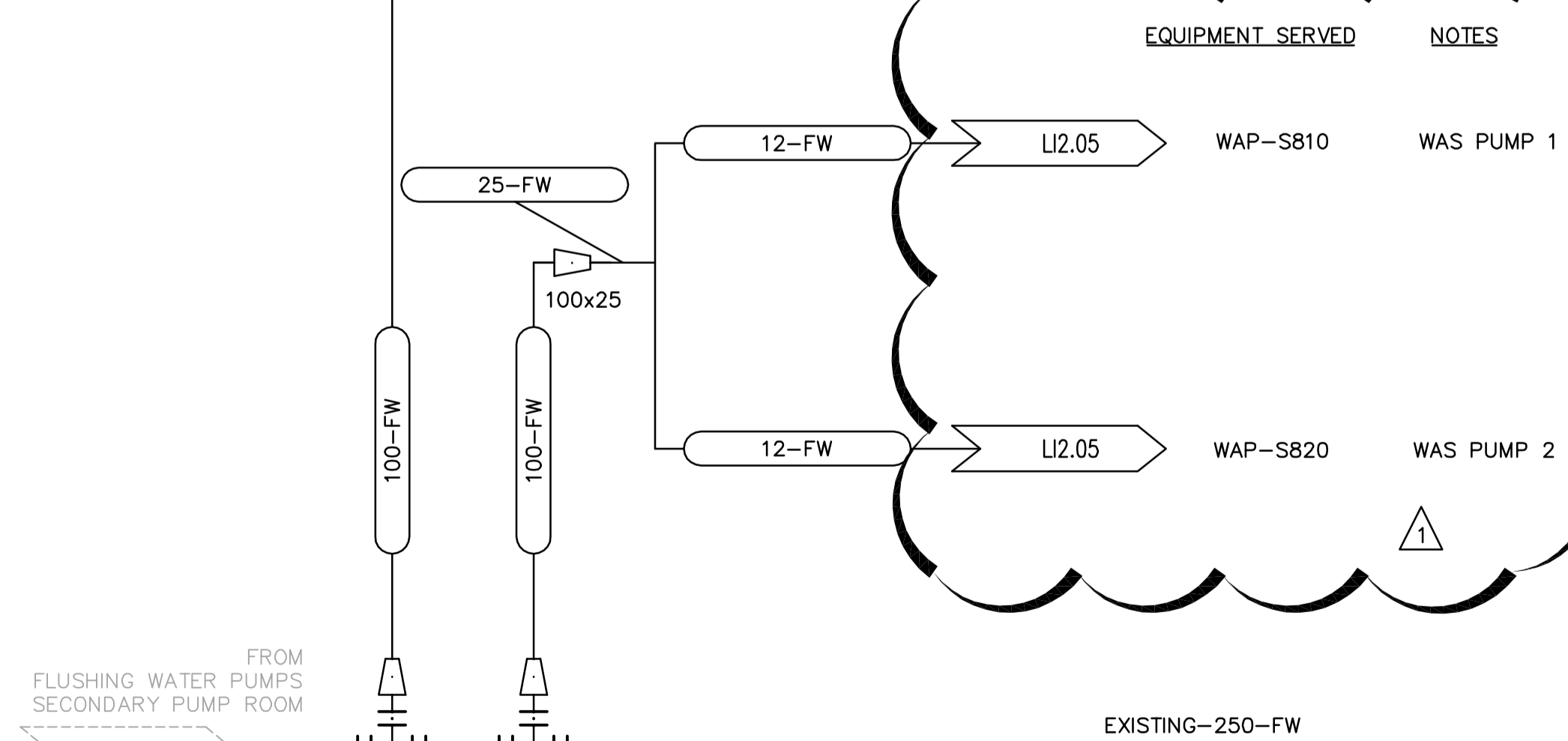
NOTES:

1. THIS DRAWING SCHEMATICALLY INDICATES THE FLUSHING WATER SYSTEM.
2. SERVICE PIPING IS SHOWN ON THIS DRAWING TO THE VICINITY OF THE EQUIPMENT BEING SERVED.
3. REFER TO THE PROCESS AND INSTRUMENTATION DIAGRAMS FOR THE CONTINUATION OF THE SERVICE PIPING BEYOND THE POINTS SHOWN ON THIS DRAWING. PROVIDE ALL PIPING, FITTINGS, VALVES ETC. TO PROVIDE A COMPLETE AND OPERATIONAL SERVICE PIPING SYSTEM.
4. WHEREVER POSSIBLE, SERVICE PIPING HAS BEEN INDICATED ON THE PROCESS/MECHANICAL DRAWINGS. HOWEVER, BECAUSE SOME OF THE PIPING, FITTINGS AND VALVING IS SMALL IN SIZE, NO ATTEMPT HAS BEEN MADE TO INDICATE THE COMPLETE SYSTEMS IN THE PROCESS/MECHANICAL DRAWINGS. REFER TO STANDARD PROCESS/MECHANICAL AND INSTRUMENTATION DRAWINGS FOR ADDITIONAL INFORMATION.
5. VALVES ON THE SERVICE PIPING SYSTEM SHALL BE LOCATED IN THE FIELD.

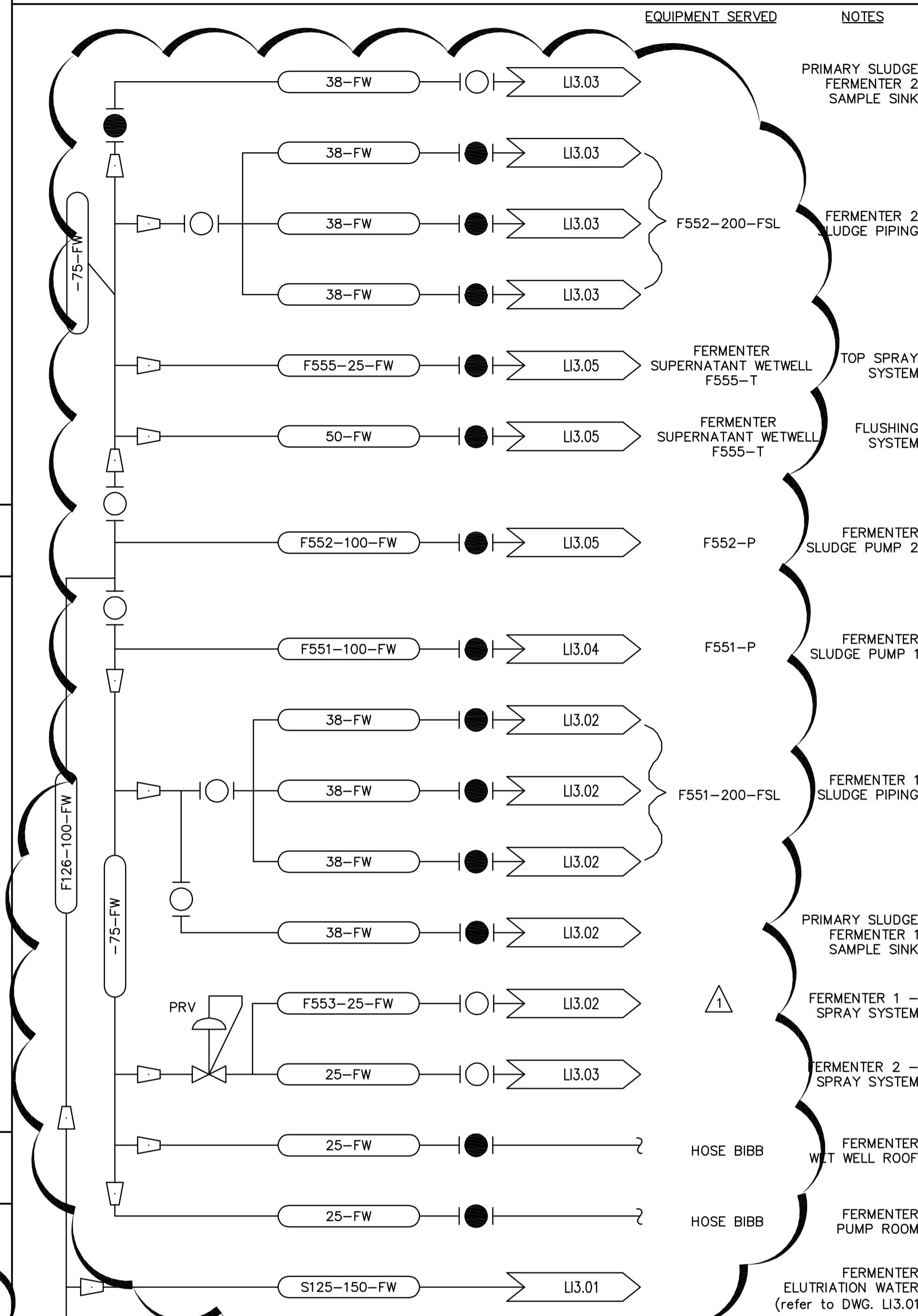
AREA S – SECONDARY CLARIFIERS



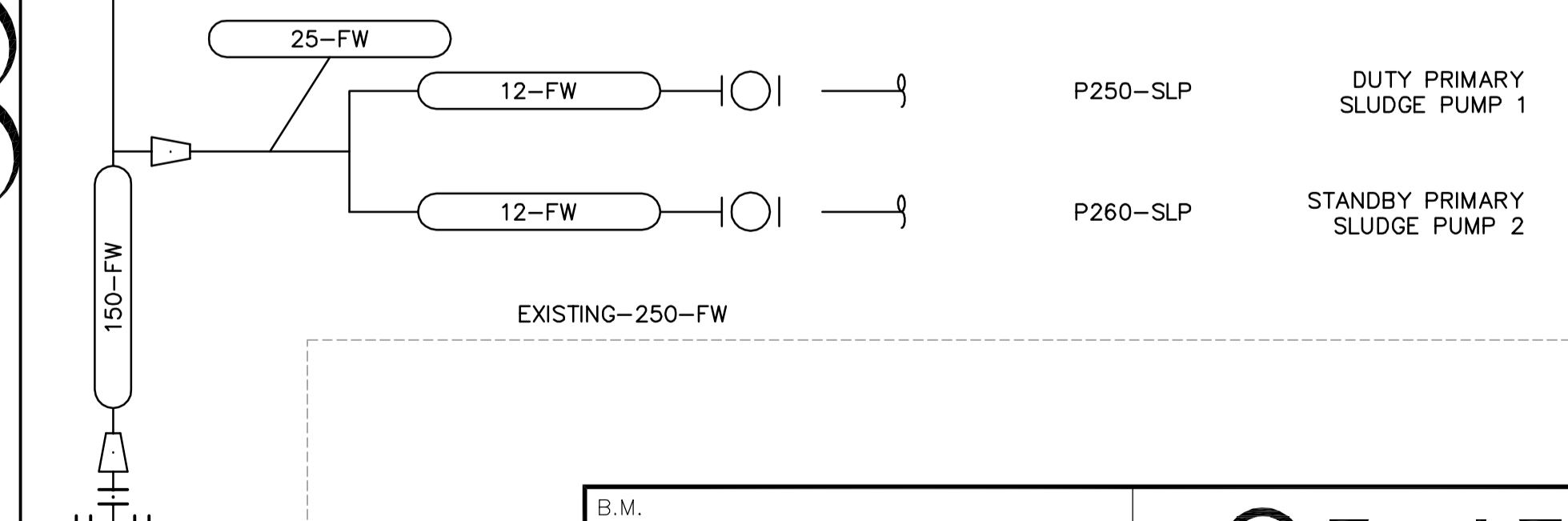
AREA S – BIOREACTORS



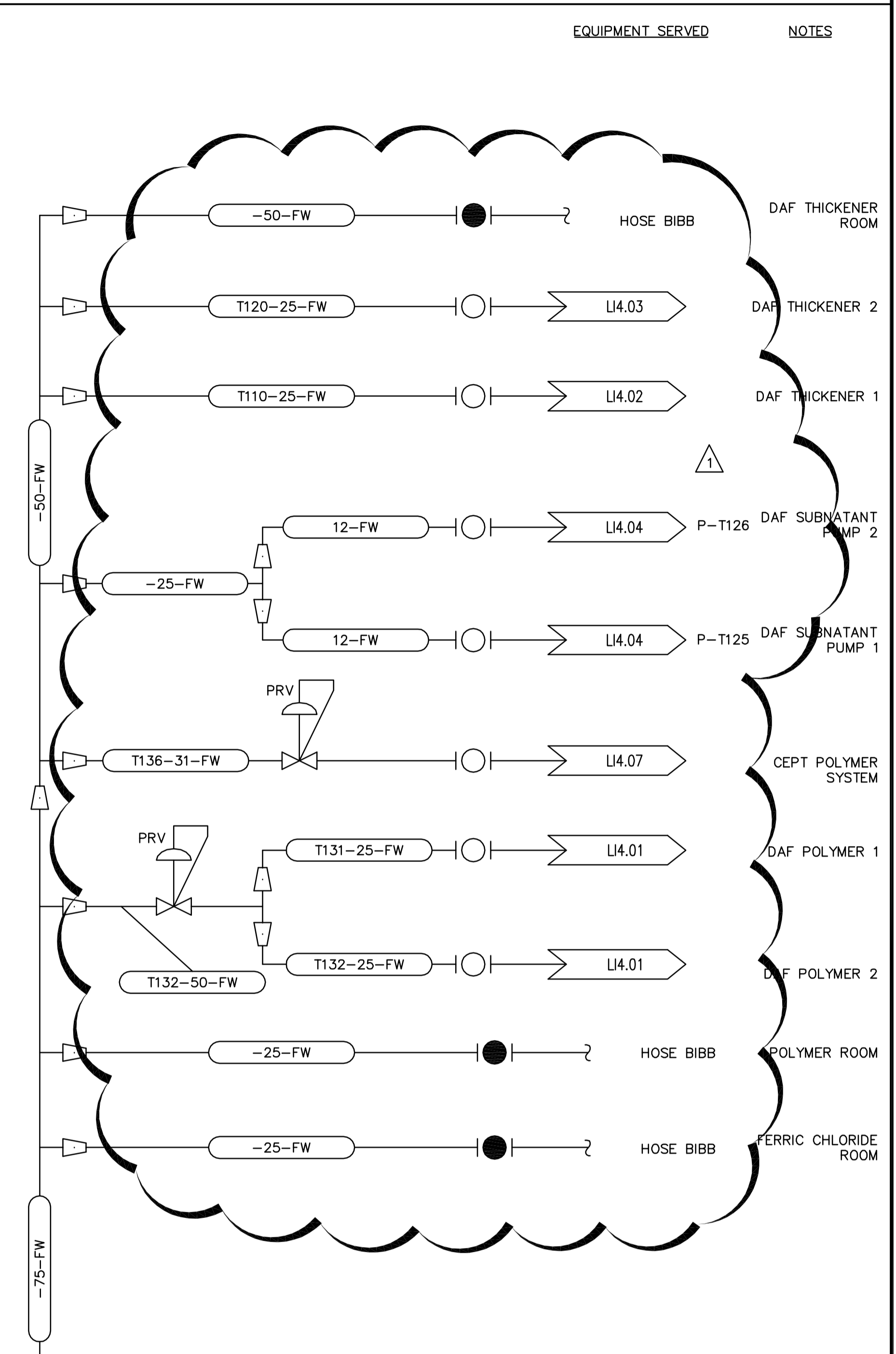
AREA F – FERMENTERS



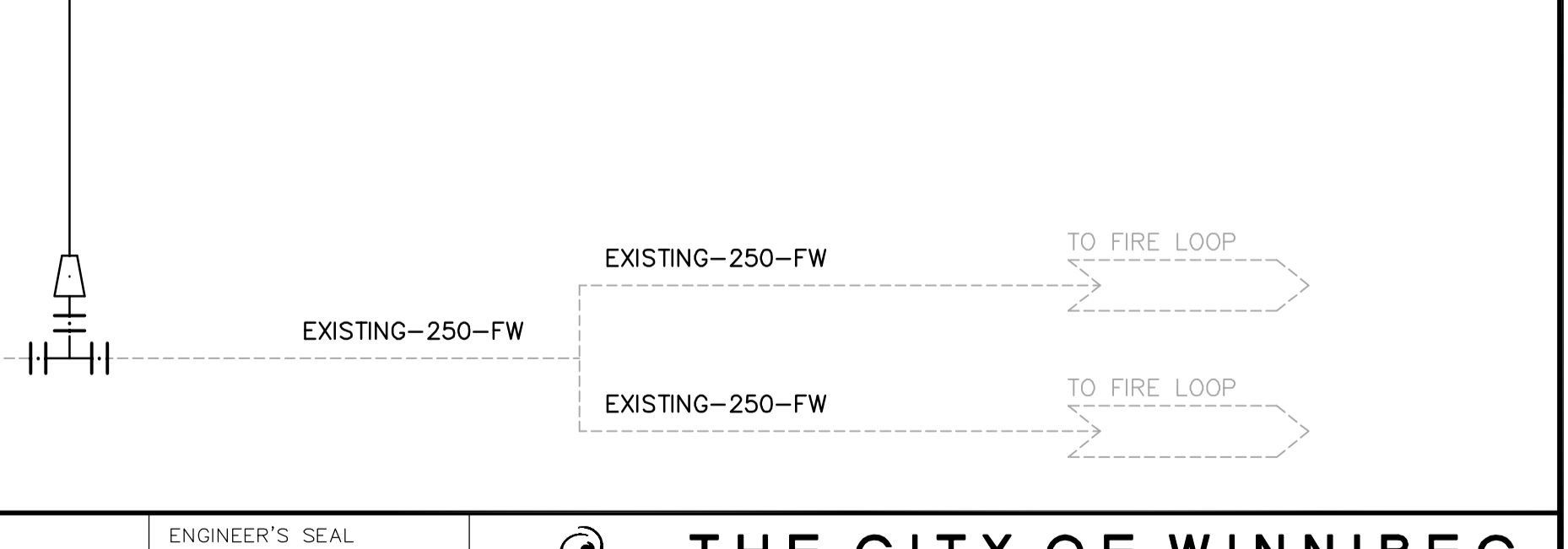
AREA P – PRIMARY CLARIFIERS



AREA T – DAF THICKENERS



AREA H – HEADWORKS



NO.	REVISIONS	DATE	BY
01	21-2006 ADDENDUM 3	06/05/19	PJY
00	ISSUED FOR TENDER	06/04/26	SRP

DESIGNED BY: YL/CL		CHECKED BY: CL	
DRAWN BY: RCK		APPROVED BY: JEH	
HOR. SCALE: NONE		RELEASED FOR CONSTRUCTION BY: J. VEILLEUX	
VERTICAL SCALE:		DATE: 2006/01/26	

ENGINEER'S SEAL	ORIGINAL SIGNED BY: J.E. HUTCHISON	DATE: 2006/04/26
CONSULTANT DRAWING NO. LP3.01		

THE CITY OF WINNIPEG
WATER AND WASTE DEPARTMENT
ENGINEERING DIVISION

WEWPC
BIOLOGICAL NUTRIENT REMOVAL UPGRADE
CONTRACT 3

PROCESS
 AREA L – GENERAL & SITWORKS
 FLUSHING WATER SCHEMATIC

CITY FILE NUMBER
 SHEET OF
 CITY DRAWING NUMBER