

INSTRUMENT LOOP DIAGRAM

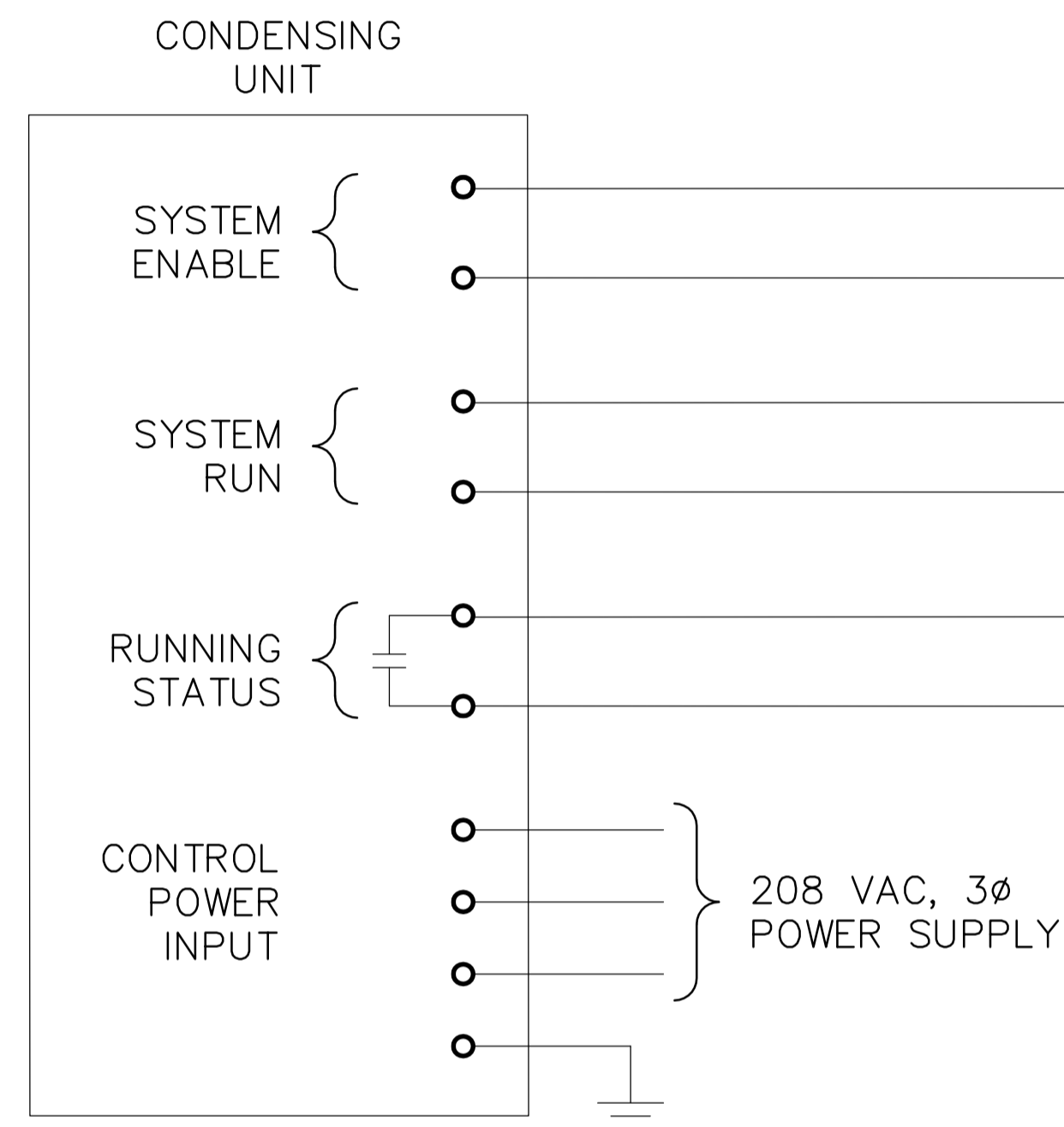
LOOP NO. S790

FIELD PROCESS AREA

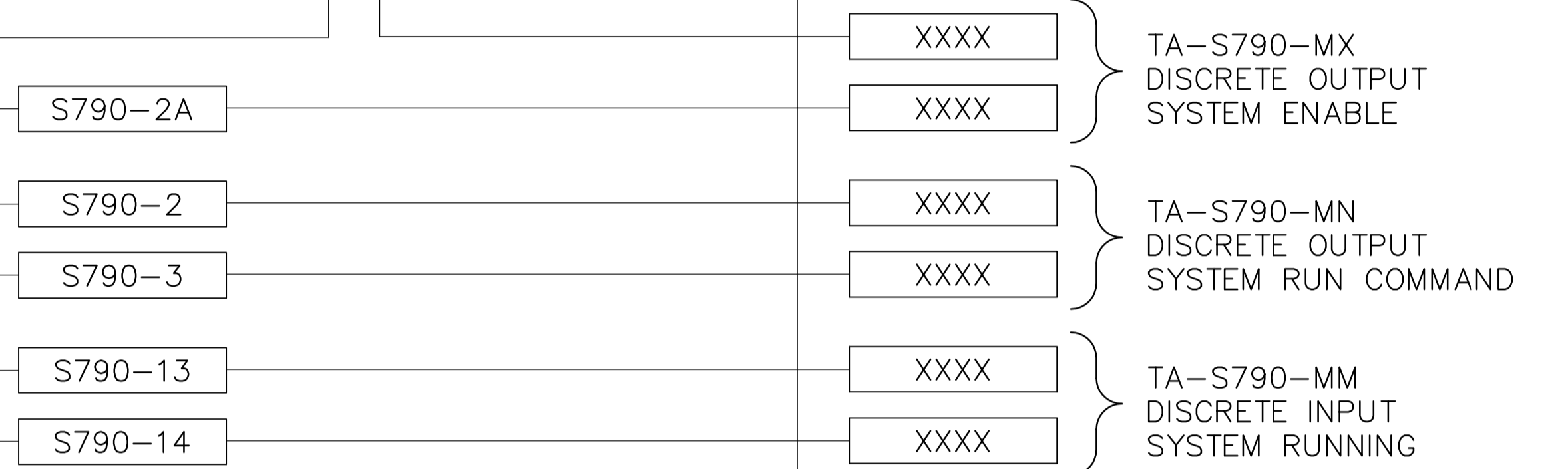
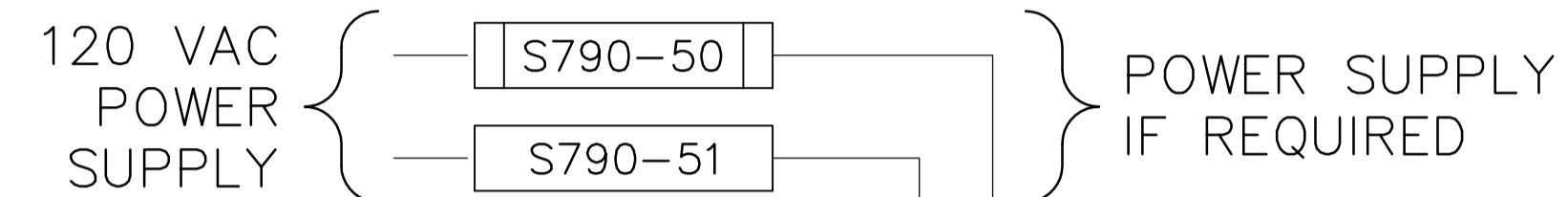
FIELD DEVICE PANEL

DCS

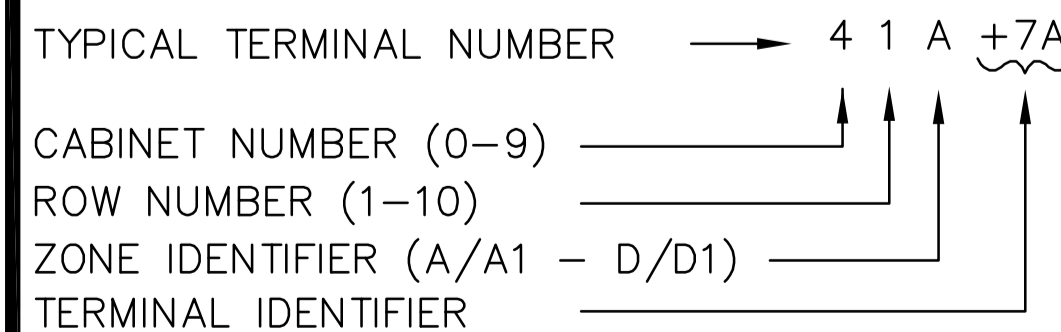
REFER TO DCS TERMINAL NUMBERING LEGEND BELOW



S-790
CU



DCS TERMINAL NUMBERING



Earth Tech (Canada) Inc. Winnipeg, Manitoba 204.477.5381



THE CITY OF WINNIPEG
WATER AND WASTE DEPARTMENT
WEWPCC - BIOLOGICAL NUTRIENT REMOVAL UPGRADE

SCALE AS NOTED
DATE 2006/07/12
DES BL DWN SRP
CKD BL APP

TYPICAL INSTRUMENT LOOP DIAGRAM
HVAC DX COOLING SYSTEM

DRAWING NO.
ILD-22

DATE	REVISION	APP.