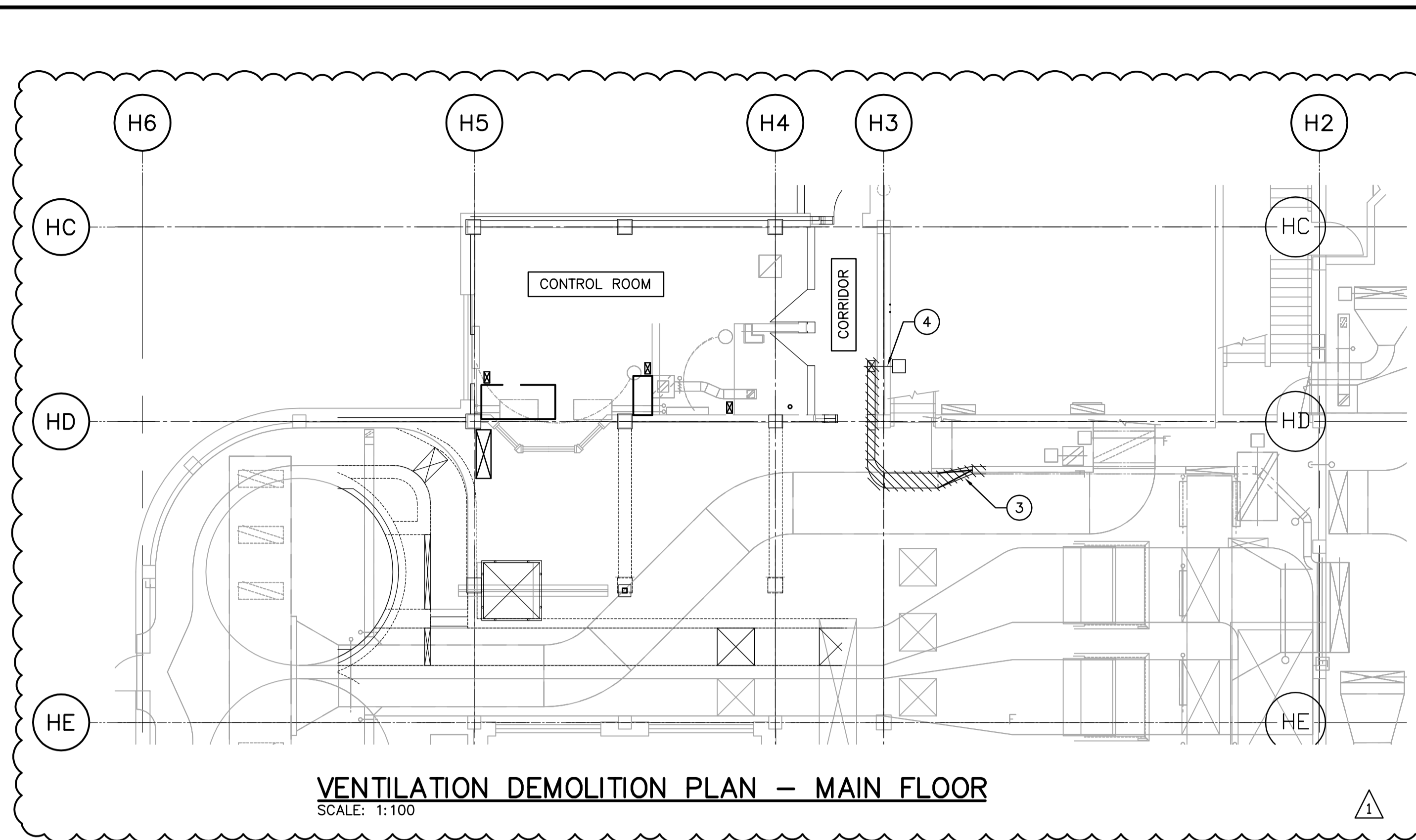
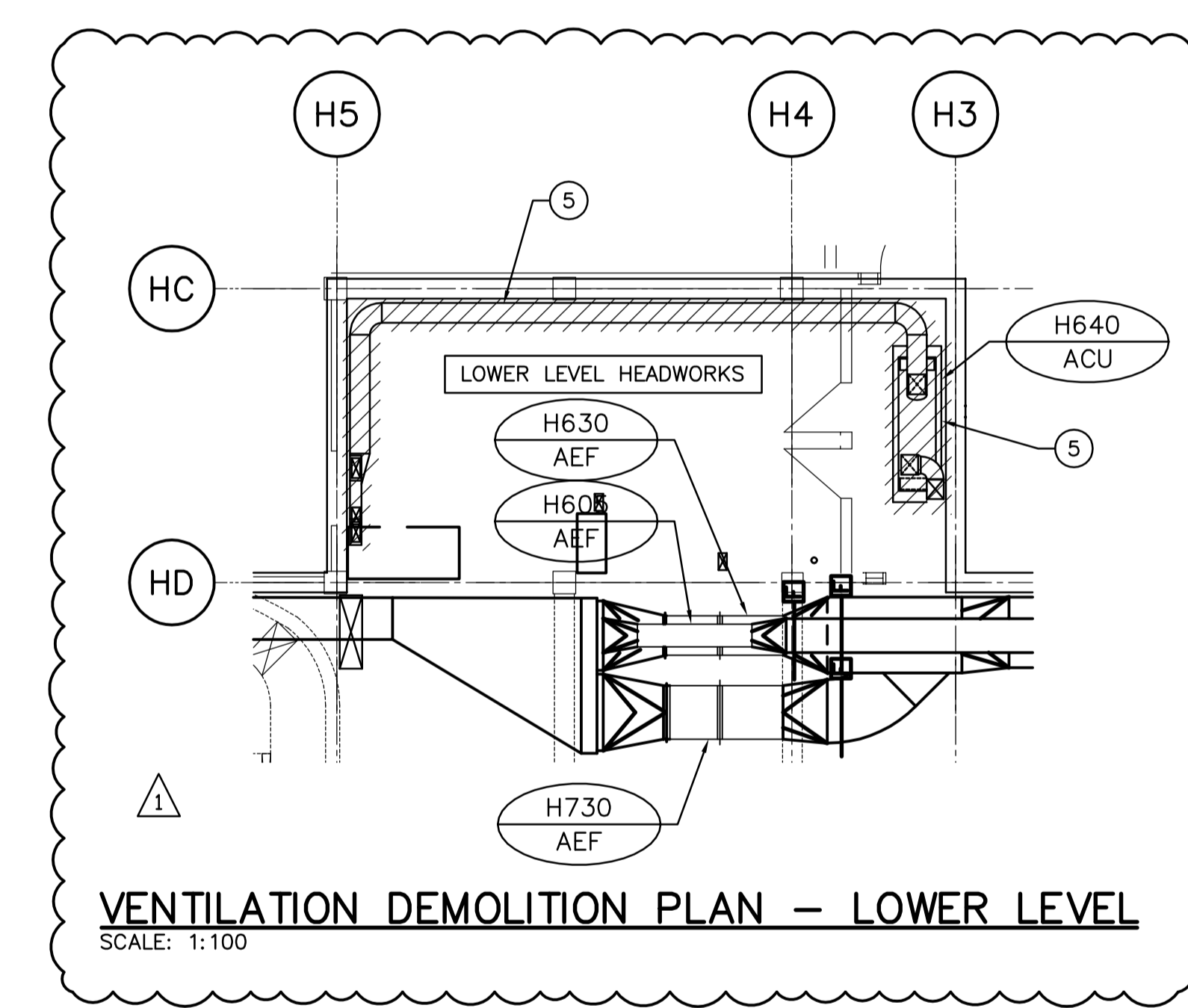


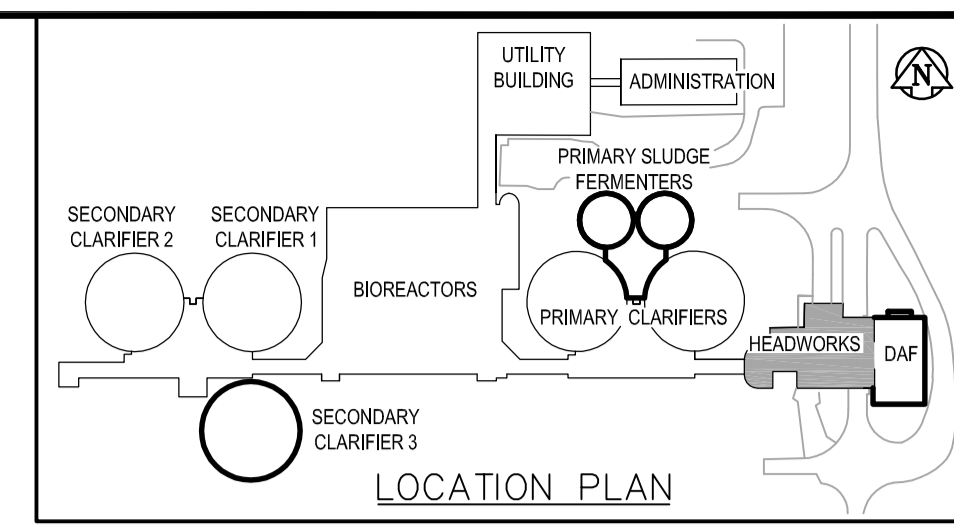
VENTILATION DEMOLITION PLAN - SLUDGE TRUCK BAY
SCALE: 1:100



VENTILATION DEMOLITION PLAN - MAIN FLOOR
SCALE: 1:100



VENTILATION DEMOLITION PLAN - LOWER LEVEL
SCALE: 1:100



- DRAWING NOTES**
- 1 REMOVE EXISTING DUCTWORK AND INTAKE LOUVER ON WALL.
 - 2 REMOVE EXISTING DUCTWORK, EXHAUST FAN, FLEXIBLE EXTRACTION ARM, HOOD AND ALL ASSOCIATED CONTROL WIRING AND SWITCHES.
 - 3 REMOVE EXISTING DUCTWORK IN CORRIDOR UP TO THIS POINT.
 - 4 REMOVE FIRE DAMPER IN FLOOR.
 - 5 REMOVE ALL EQUIPMENT, DUCTWORK, ACCESSORIES AND CONTROLS ASSOCIATED WITH H640-ACU. UNIT H640-ACU, ASSOCIATED CONTROLS AND METAL STAND SHALL BE RETURNED TO OWNER.

GENERAL NOTES

1. COORDINATE WITH OTHER TRADES SO AS TO PREVENT CONFLICTS.



B.M. ELEV.	 A Tyco International Ltd. Company			ENGINEER'S SEAL		 THE CITY OF WINNIPEG WATER AND WASTE DEPARTMENT ENGINEERING DIVISION	CITY FILE NUMBER SHEET OF CITY DRAWING NUMBER
				ORIGINAL SIGNED BY A. BURACHYNSKY 2006/04/26			
DESIGNED BY DC	CHECKED BY PVL	DRAWN BY DC		APPROVED BY JEH	CONSULTANT DRAWING NO. HMO.01		WEWPC BIOLOGICAL NUTRIENT REMOVAL UPGRADE CONTRACT 3 MECHANICAL AREA H - HEADWORKS EXISTING MAIN FLOOR VENTILATION DEMOLITION PLAN
NO. REVISIONS	DATE	BY	DATE	DATE	DATE		
01	21-2006-ADDENDUM 1	06/05/10	LJW	2006/01/02	2006/04/26		
00	ISSUED FOR TENDER	06/04/26	DC				