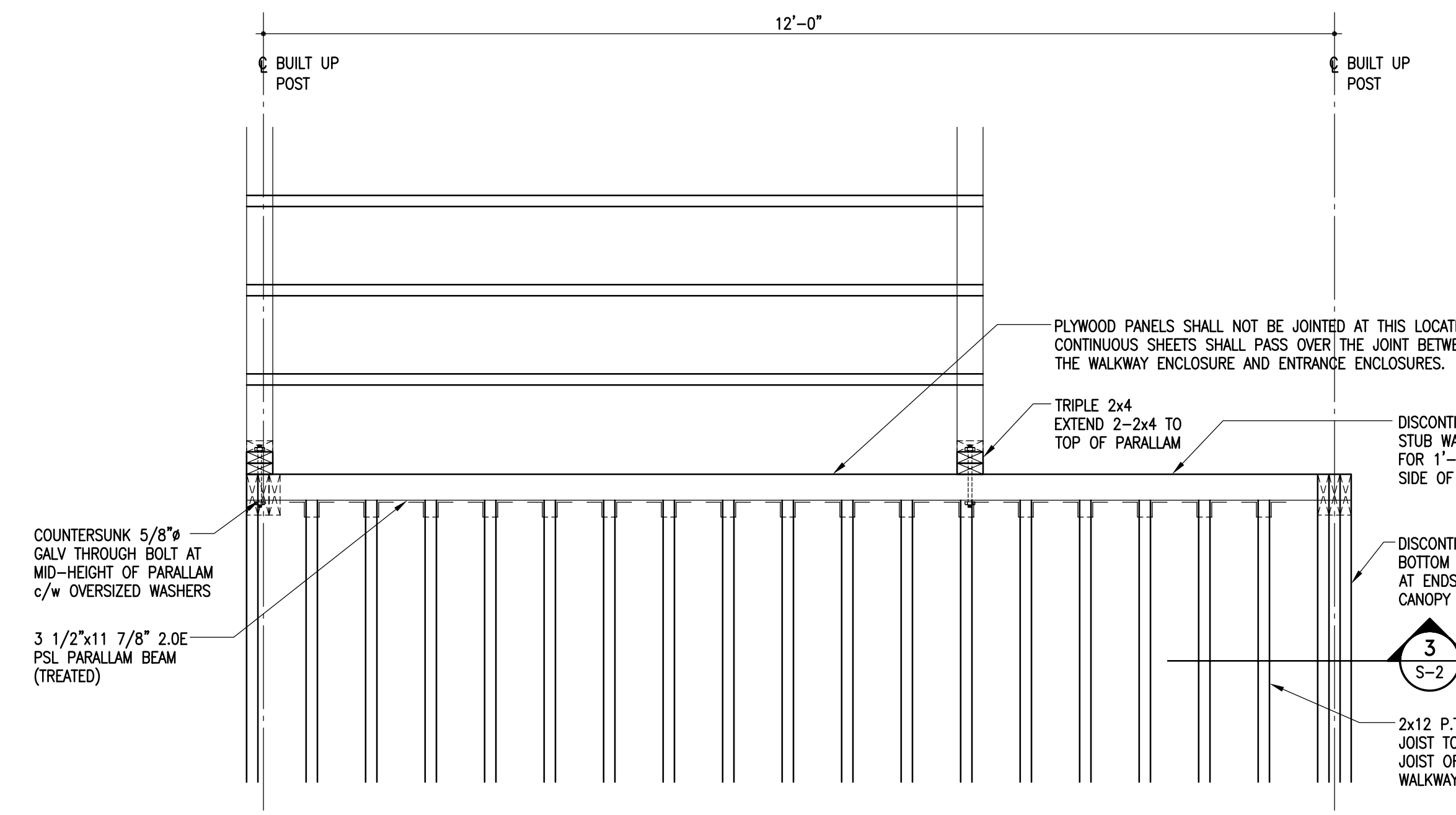
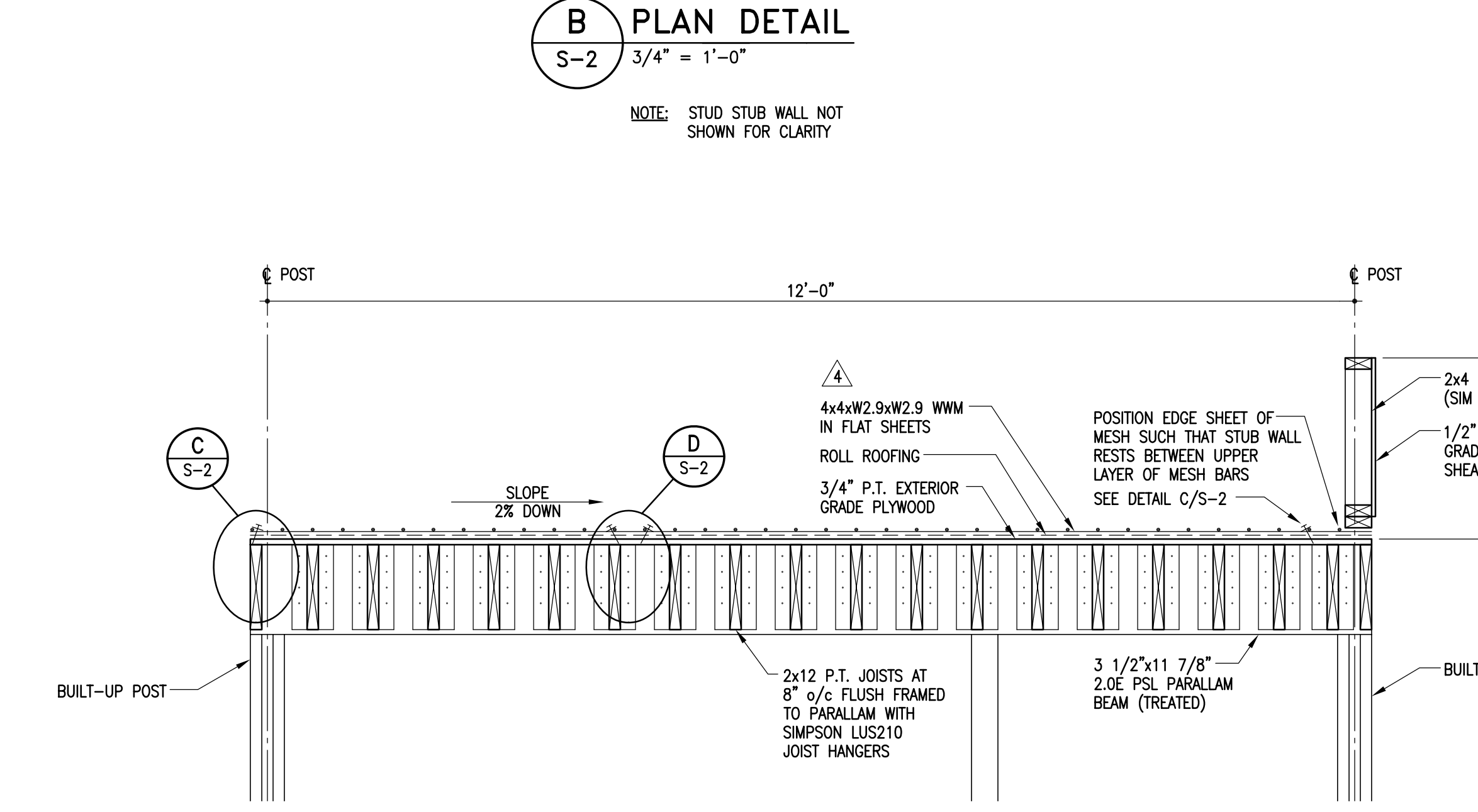


A PLAN DETAIL
S-2 1 1/2" = 1'-0"

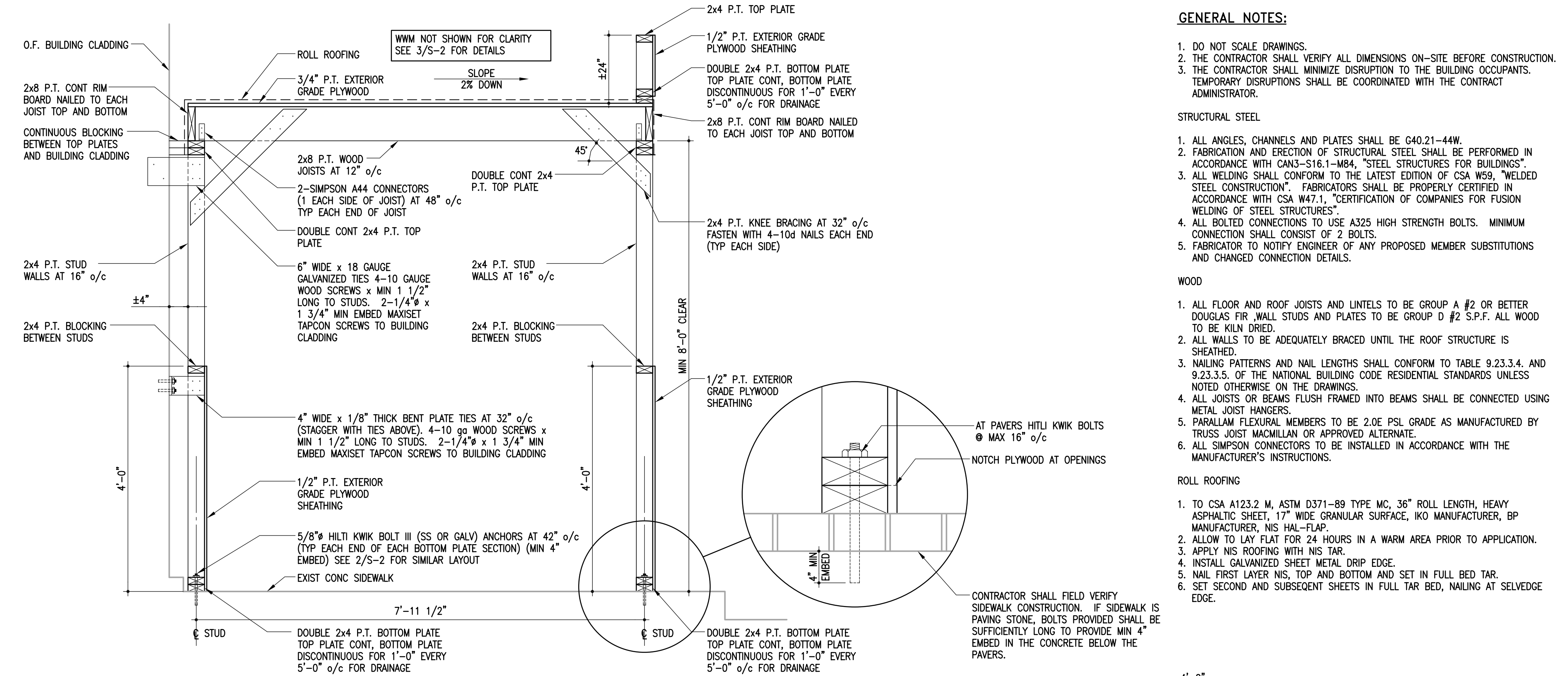


B PLAN DETAIL
S-2 3/4" = 1'-0"

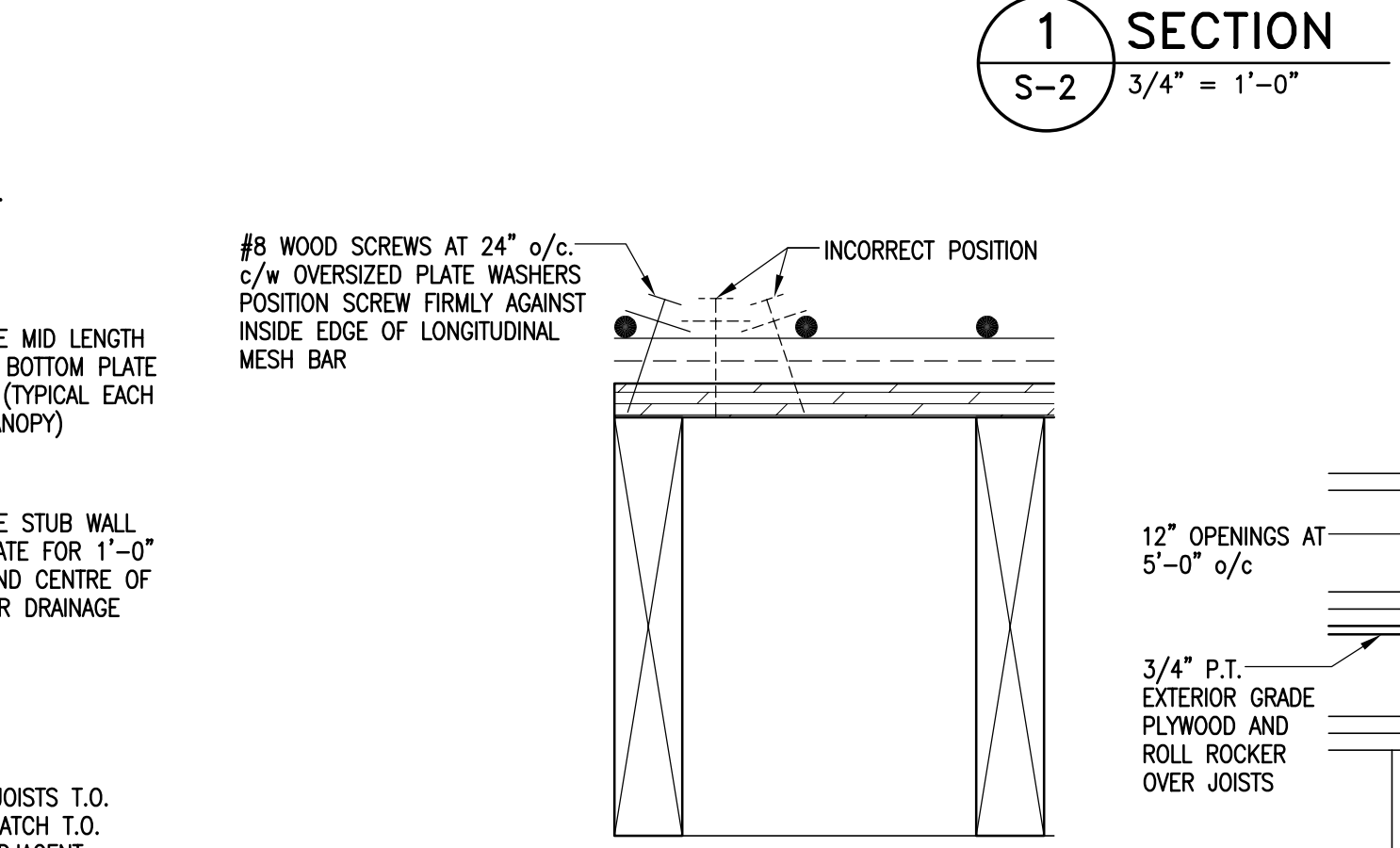
NOTE: STUD STUB WALL NOT SHOWN FOR CLARITY



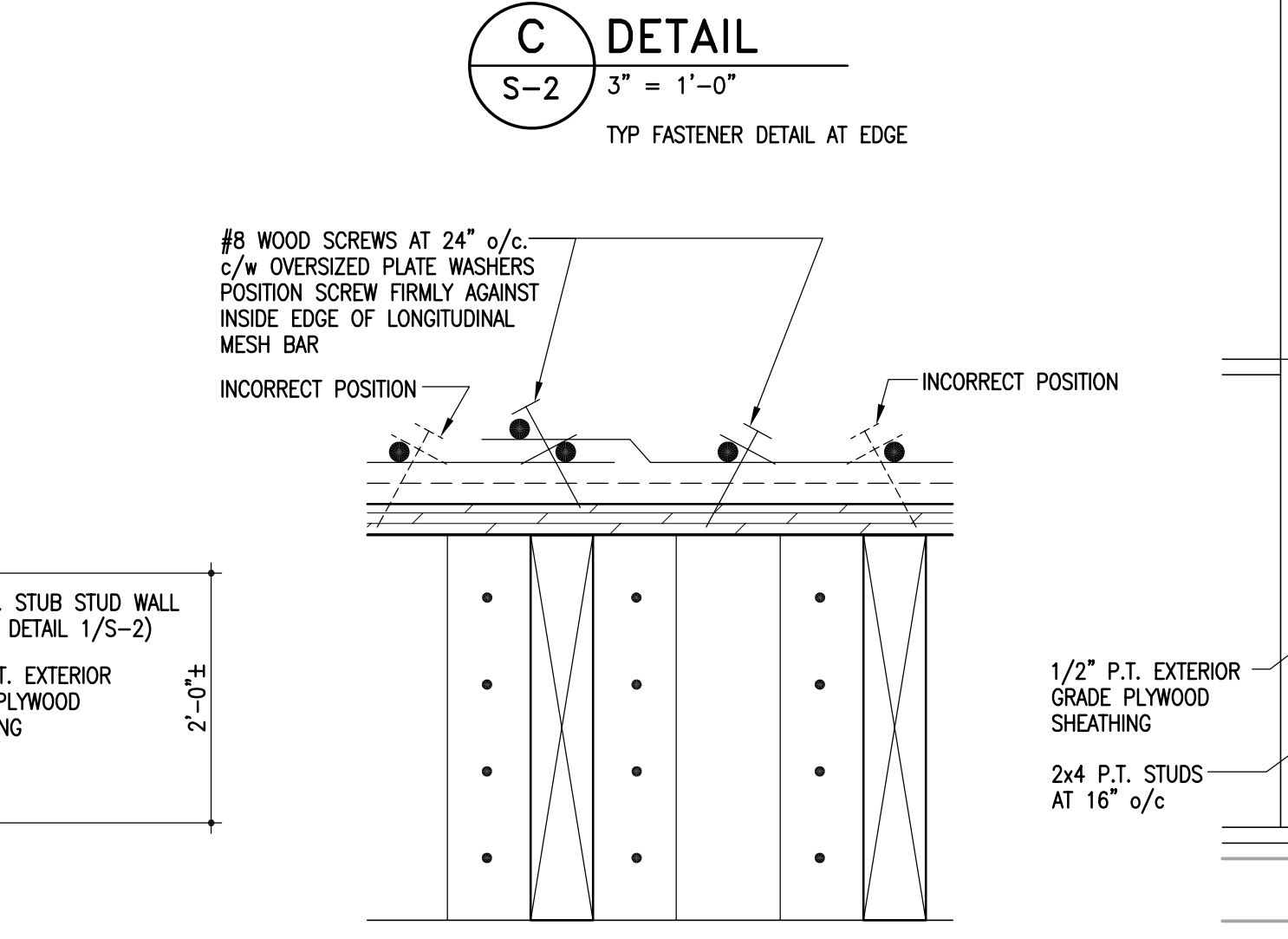
3 SECTION
S-2 3/4" = 1'-0"



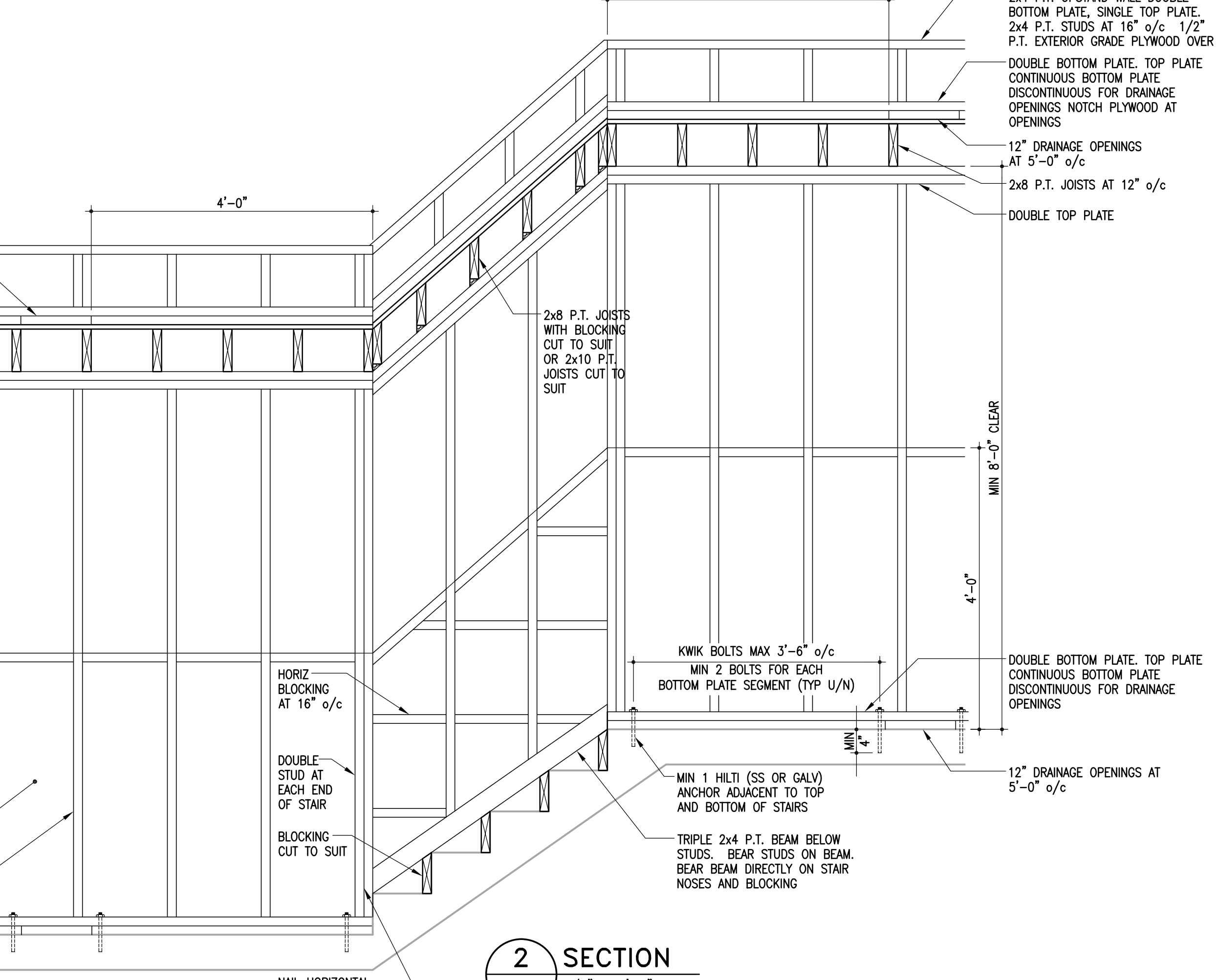
1 SECTION
S-2 3/4" = 1'-0"



C DETAIL
S-2 3" = 1'-0"



D DETAIL
S-2 3" = 1'-0"



2 SECTION
S-2 3/4" = 1'-0"

NOTE: NAILING NOT SHOWN FOR CLARITY. REFER TO GENERAL NOTES FOR REQUIREMENTS

- GENERAL NOTES:**
- DO NOT SCALE DRAWINGS.
 - THE CONTRACTOR SHALL VERIFY ALL DIMENSIONS ON-SITE BEFORE CONSTRUCTION.
 - THE CONTRACTOR SHALL MINIMIZE DISRUPTION TO THE BUILDING OCCUPANTS. TEMPORARY DISRUPTIONS SHALL BE COORDINATED WITH THE CONTRACT ADMINISTRATOR.
- STRUCTURAL STEEL**
- ALL ANGLES, CHANNELS AND PLATES SHALL BE C40.21-44W.
 - FABRICATION AND ERECTION OF STRUCTURAL STEEL SHALL BE PERFORMED IN ACCORDANCE WITH CAN3-S16.1-M84, "STEEL STRUCTURES FOR BUILDINGS".
 - ALL WELDING SHALL CONFORM TO THE LATEST EDITION OF CSA W59, "WELDED STEEL CONSTRUCTION". FABRICATORS SHALL BE PROPERLY CERTIFIED IN ACCORDANCE WITH CSA W47.1, "CERTIFICATION OF COMPANIES FOR FUSION WELDING OF STEEL STRUCTURES".
 - ALL BOLTED CONNECTIONS TO USE A325 HIGH STRENGTH BOLTS. MINIMUM CONNECTION SHALL CONSIST OF 2 BOLTS.
 - FABRICATOR TO NOTIFY ENGINEER OF ANY PROPOSED MEMBER SUBSTITUTIONS AND CHANGED CONNECTION DETAILS.
- WOOD**
- ALL FLOOR AND ROOF JOISTS AND UNTELS TO BE GROUP A #2 OR BETTER DOUGLAS FIR, WALL STUDS AND UNTELS TO BE GROUP D #2 S.P.F. ALL WOOD TO BE KILN DRIED.
 - ALL WALLS TO BE ADEQUATELY BRACED UNTIL THE ROOF STRUCTURE IS SHEATHED.
 - NAILING PATTERNS AND NAIL LENGTHS SHALL CONFORM TO TABLE 9.23.3.4 AND 9.23.3.5 OF THE NATIONAL BUILDING CODE RESIDENTIAL STANDARDS UNLESS NOTED OTHERWISE ON THE DRAWINGS.
 - ALL JOISTS OR BEAMS FLUSH FRAMED INTO BEAMS SHALL BE CONNECTED USING METAL JOIST HANGERS.
 - PARALLAM FLEXURAL MEMBERS TO BE 2.0E PSL GRADE AS MANUFACTURED BY TRUSS JOIST MACMILLAN OR APPROVED ALTERNATE.
 - ALL SIMPSON CONNECTORS TO BE INSTALLED IN ACCORDANCE WITH THE MANUFACTURER'S INSTRUCTIONS.
- ROLL ROOFING**
- TO CSA A123.2 M, ASTM D371-89 TYPE MC, 36" ROLL LENGTH, HEAVY ASPHALTIC SHEET, 17" WIDE GRANULAR SURFACE, IKO MANUFACTURER, BP MANUFACTURER, NIS HAL-FLAP.
 - ALLOW TO LAY FLAT FOR 24 HOURS IN A WARM AREA PRIOR TO APPLICATION.
 - APPLY NIS ROOFING WITH NIS TAR.
 - INSTALL GALVANIZED SHEET METAL DRIP EDGE.
 - NAIL FIRST LAYER NIS, TOP AND BOTTOM AND SET IN FULL BED TAR.
 - SET SECOND AND SUBSEQUENT SHEETS IN FULL TAR BED, NAILING AT SELVEDGE EDGE.

APEGM
Certificate of Authorization
Crosier Kilgour & Partners Ltd.
No. 235 Expiry: April 30, 2006

No.	Date	Revisions	By
4	FEB 23, 2006	ADDENDUM NO. 1	BF
3	FEB 14, 2006	RE-ISSUED FOR TENDER	BF
2	FEB 10, 2006	RE-ISSUED FOR TENDER	BF
1	FEB 6, 2006	ISSUED FOR TENDER	BF

PROVINCE OF MANITOBA
REGISTERED PROFESSIONAL ENGINEER
B. FLISAK
Member 22454

CROSIER KILGOUR & PARTNERS LTD.
Consulting Structural Engineers
390-275 Carlton Street, Winnipeg, MB R3C 5S6
Tel: (204) 943-7501 Fax: (204) 943-7507

Project
PUBLIC SAFETY BUILDING
TEMPORARY PEDESTRIAN WALKWAY ENCLOSURE
WINNIPEG, MANITOBA

Design Title
SECTIONS, DETAILS AND GENERAL NOTES

Design Drawn Checked Scale Date File
BF JMN BF AS NOTED FEB 6, 2006 2006-0031

Sheet No.
S-2

The Contractor shall check & verify all dimensions and shall report any errors or omissions to the Contract Administrator.