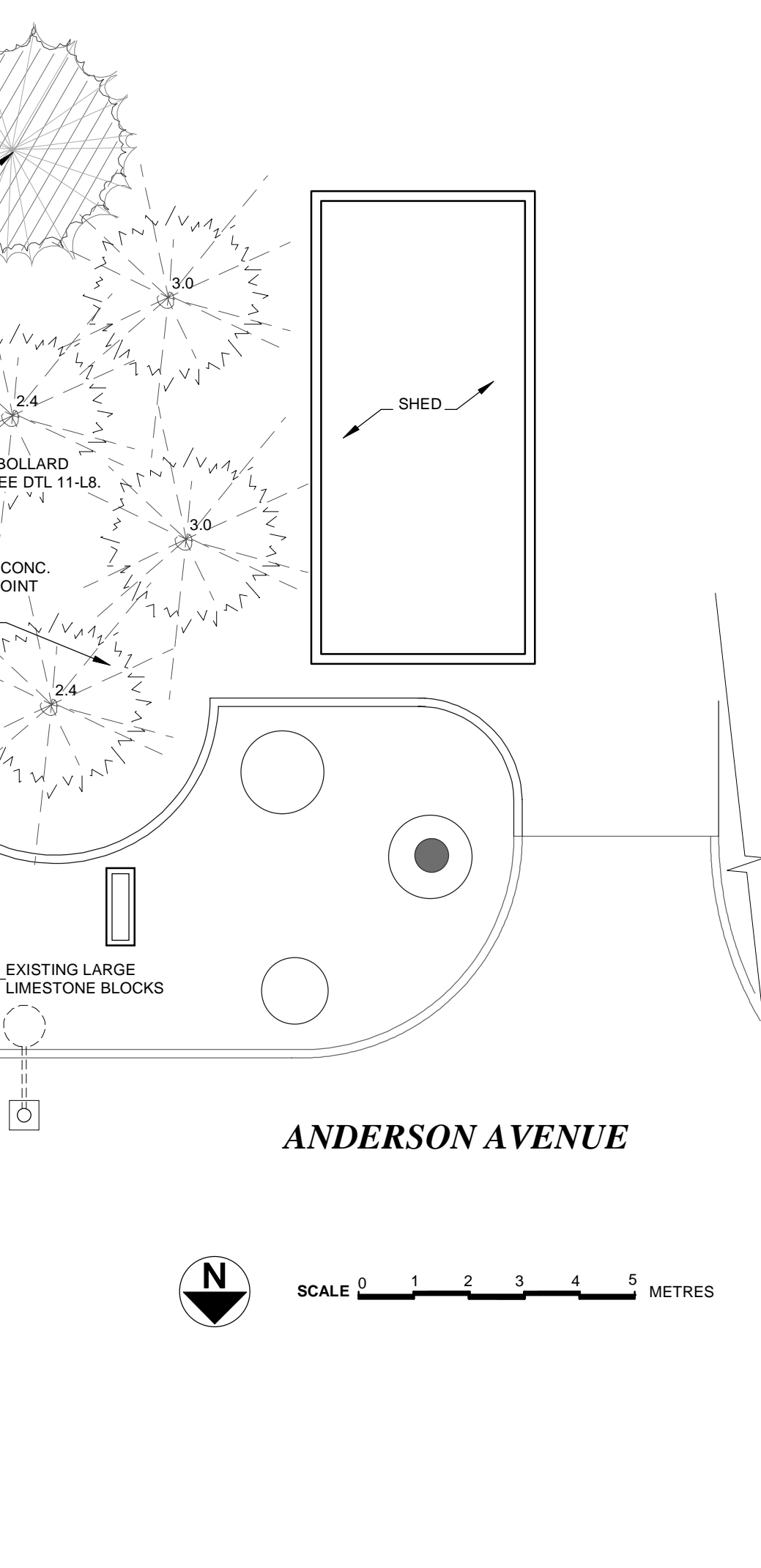
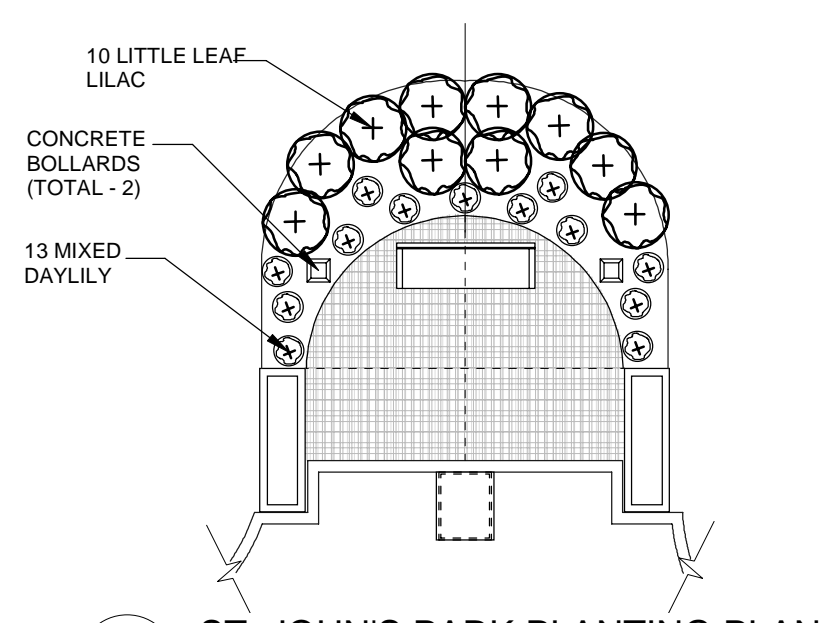


1 ST. JOHN'S PARK EXISTING SITE PLAN
L7 Scale: 1:300

4 ST. JOHN'S PARK EXISTING SITE PLAN
L7 Scale: 1:300



2 ST. JOHN'S PARK LAYOUT AND GRADING PLAN
L7 Scale: 1:100



3 ST. JOHN'S PARK PLANTING PLAN
L7 Scale: 1:100

2 ST. JOHN'S PARK LAYOUT AND GRADING PLAN
L7 Scale: 1:100



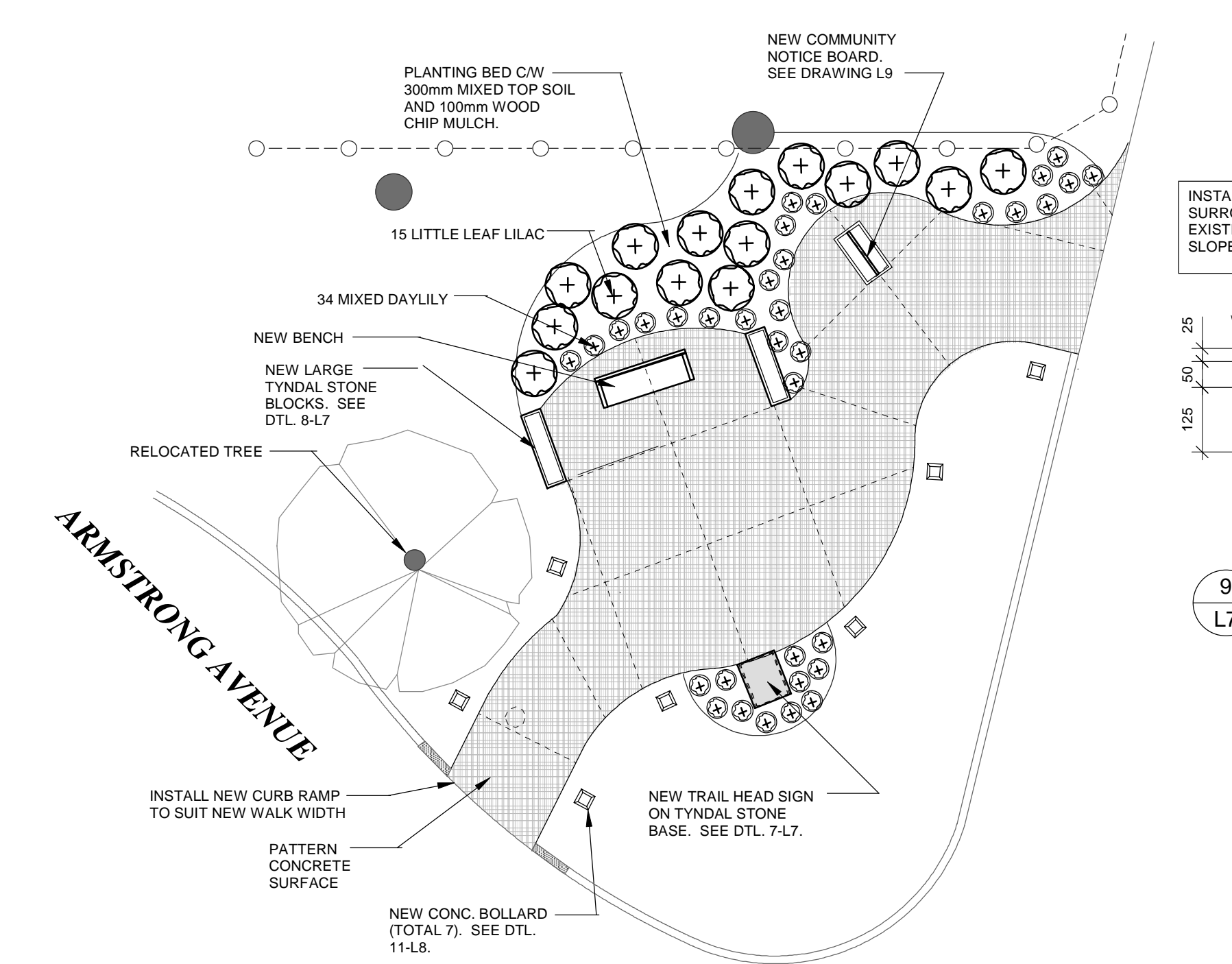
3 ST. JOHN'S PARK PLANTING PLAN
L7 Scale: 1:100

Plant List

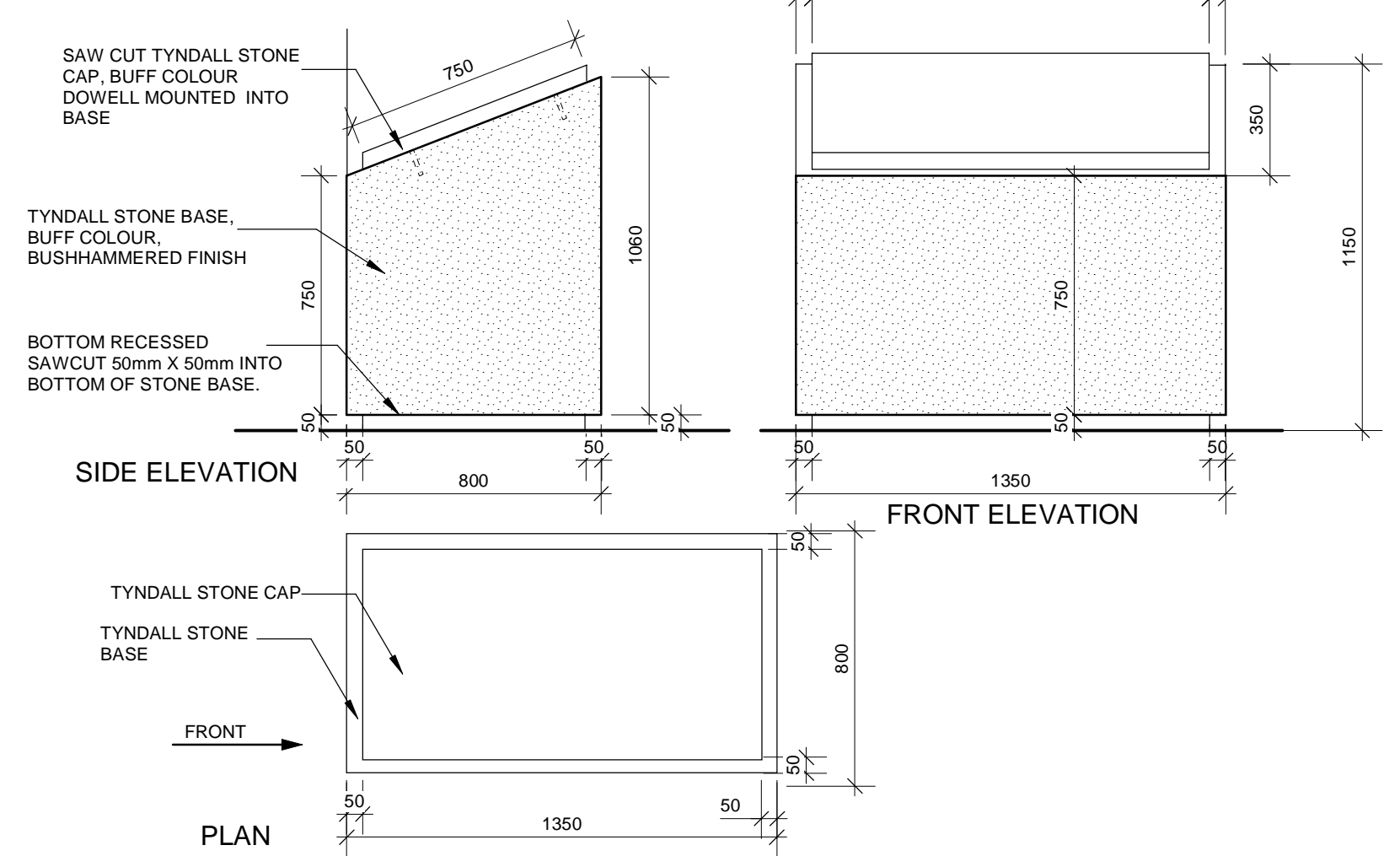
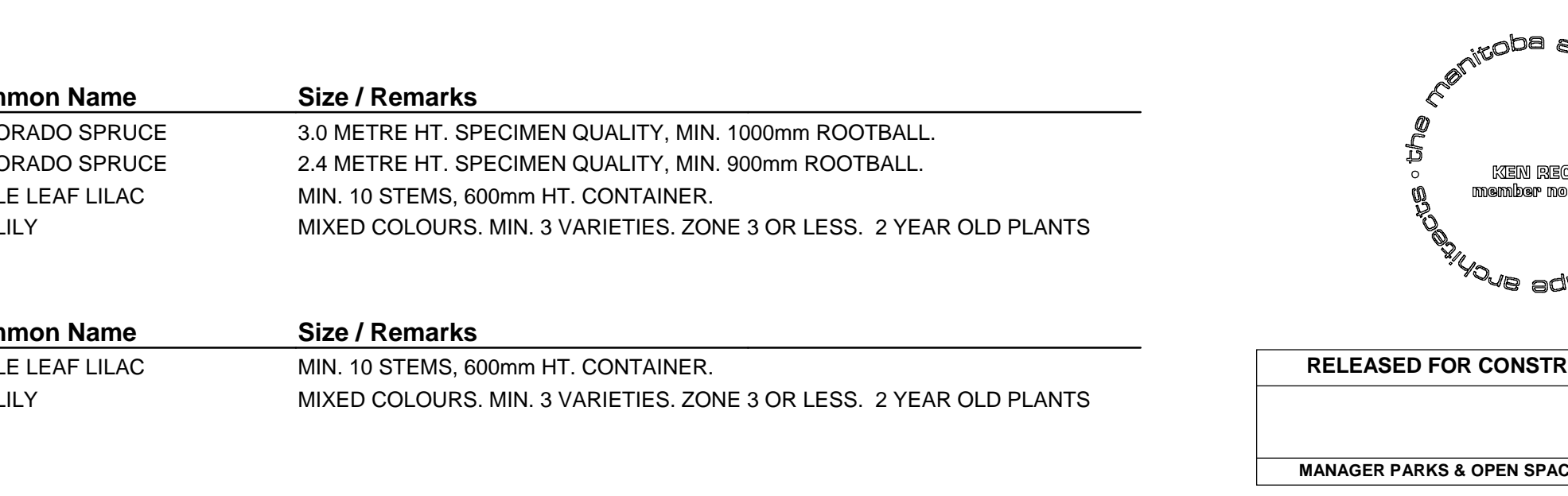
Qty	Botanical Name	Common Name	Size / Remarks
2	<i>pungens</i>	COLORADO SPRUCE	3.0 METRE HT. SPECIMEN QUALITY, MIN. 1000mm ROOTBALL.
2	<i>pungens</i>	COLORADO SPRUCE	2.4 METRE HT. SPECIMEN QUALITY, MIN. 900mm ROOTBALL.
10	<i>syringae meyeri palibin</i>	LITTLE LEAF LILAC	MIN. 10 STEMS, 600mm HT. CONTAINER.
13	<i>hemerocallis</i>	DAYLILY	MIXED COLOURS. MIN. 3 VARIETIES. ZONE 3 OR LESS. 2 YEAR OLD PLANTS

Qty	Botanical Name	Common Name	Size / Remarks
15	<i>syringae meyeri palibin</i>	LITTLE LEAF LILAC	MIN. 10 STEMS, 600mm HT. CONTAINER.
34	<i>hemerocallis</i>	DAYLILY	MIXED COLOURS. MIN. 3 VARIETIES. ZONE 3 OR LESS. 2 YEAR OLD PLANTS

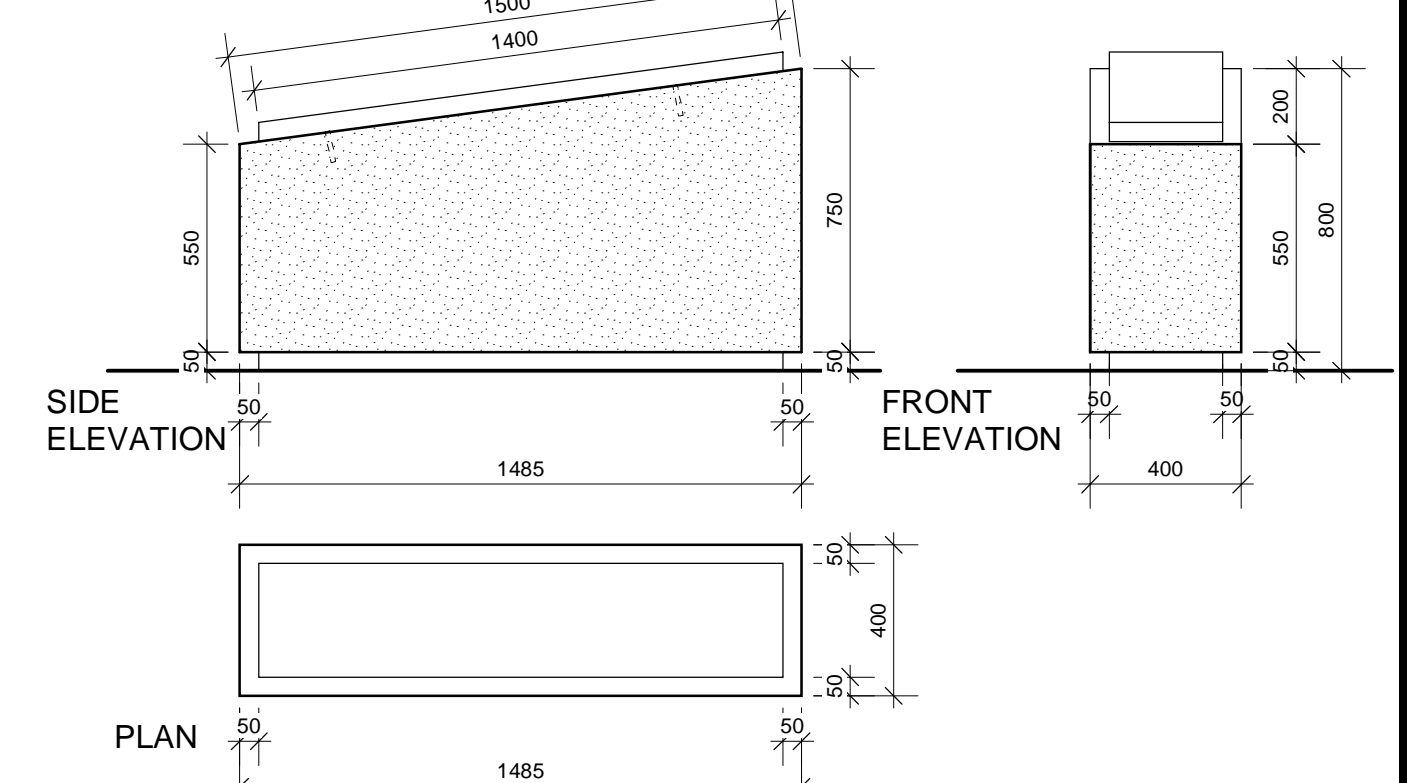
5 KILDONAN PARK LAYOUT AND GRADING PLAN
L7 Scale: 1:100



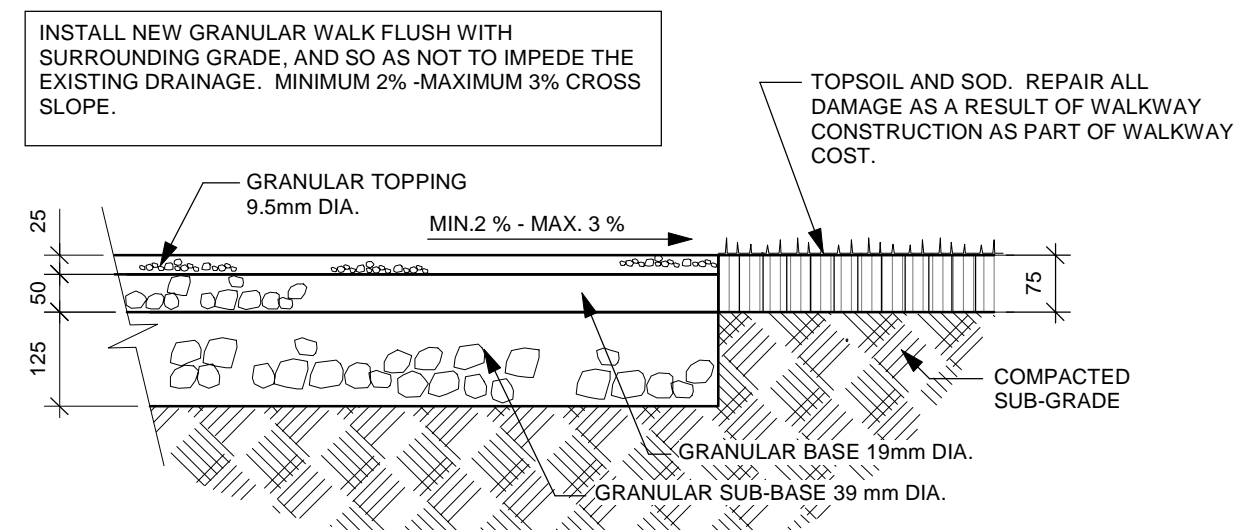
6 KILDONAN PARK LANDSCAPE PLAN
L7 Scale: 1:100



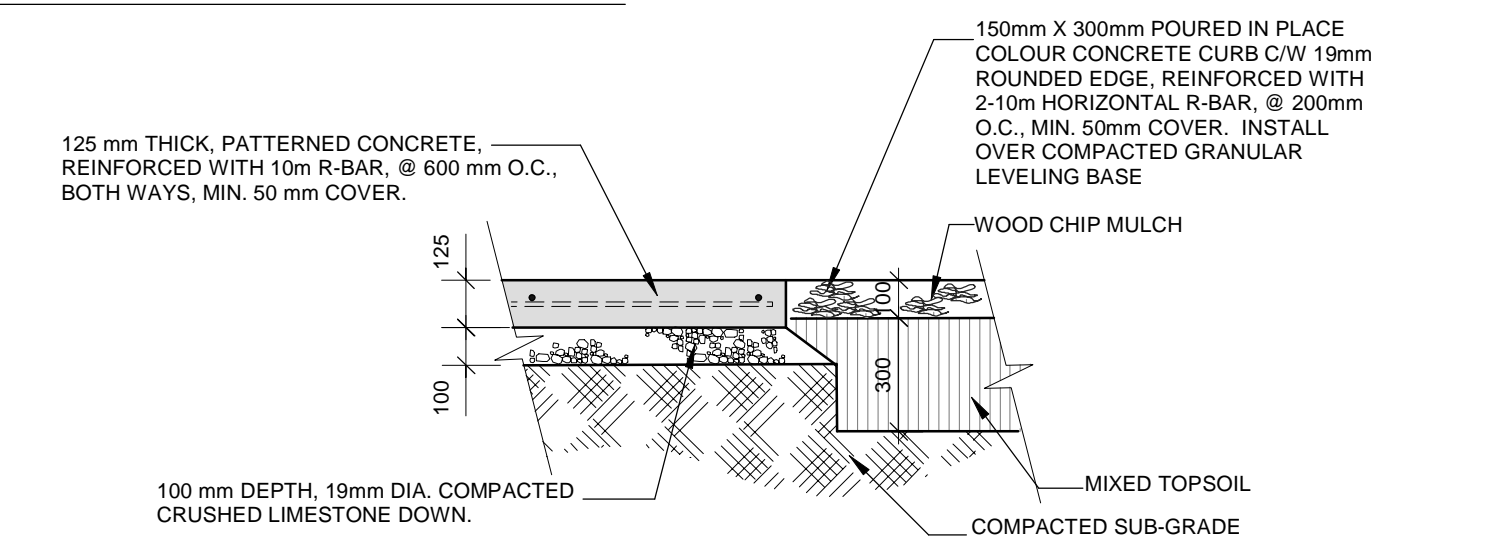
7 NEW TRAIL HEAD SIGN TYNDALL STONE BASE
L7 Scale: 1:20



8 NEW TYNDALL STONE BLOCKS
L7 Scale: 1:20



9 GRAVEL WALKWAY SECTION
L7 Scale: 1:10



10 SHRUB BED/CONCRETE PAVING SECTION
L7 Scale: 1:20

MANITOBA ASSOCIATION OF LANDSCAPE ARCHITECTS

2000 BERGEE

member no. 28

RELEASED FOR CONSTRUCTION

MANAGER PARKS & OPEN SPACE DIVISION

ISSUED FOR TENDER APRIL 4, 2006

PROJECT TITLE	NO.	REVISIONS	BY	DATE
ST JOHN'S & KILDONAN PARK TRAILHEAD PLAZA	1	REVISE DETAIL 7 SIZES	K.R.	APRIL 20/06

KEN RECH LANDSCAPE ARCHITECTS INC.
1480 Wellington Crescent Winnipeg Manitoba
Fax 489-6852 R3N 0B3 Tel(204) 489-6616

DRAWING TITLE	DRAWN BY	SCALE	SHEET NO.
SITE PLAN AND MISCELLANEOUS DETAILS	B.P.	AS NOTED	L7
	PRINT DATE	DATE	
	APRIL 4 / 06	JAN. 5 / 06	

FILE NO.	REVISION
04-09	1