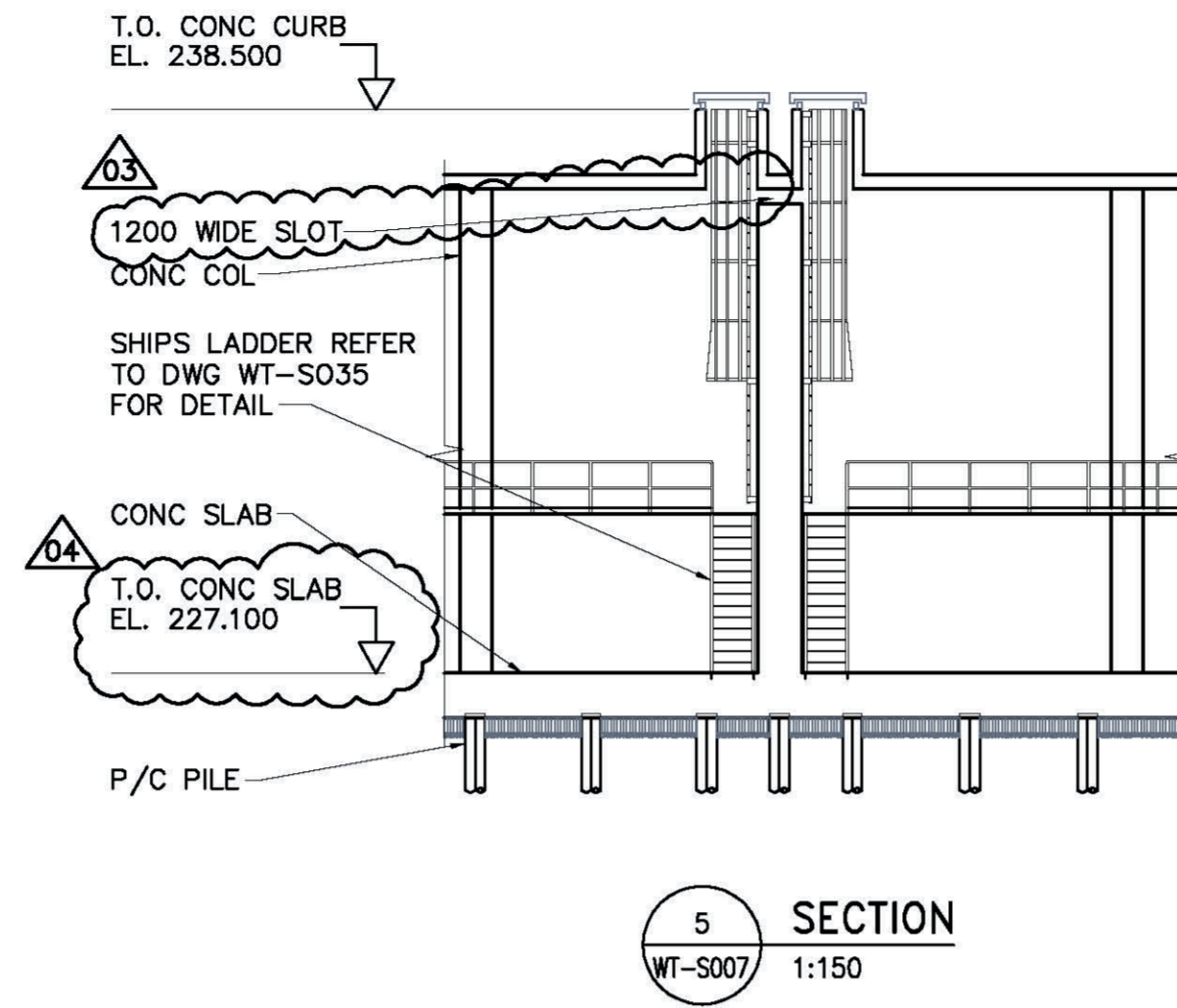
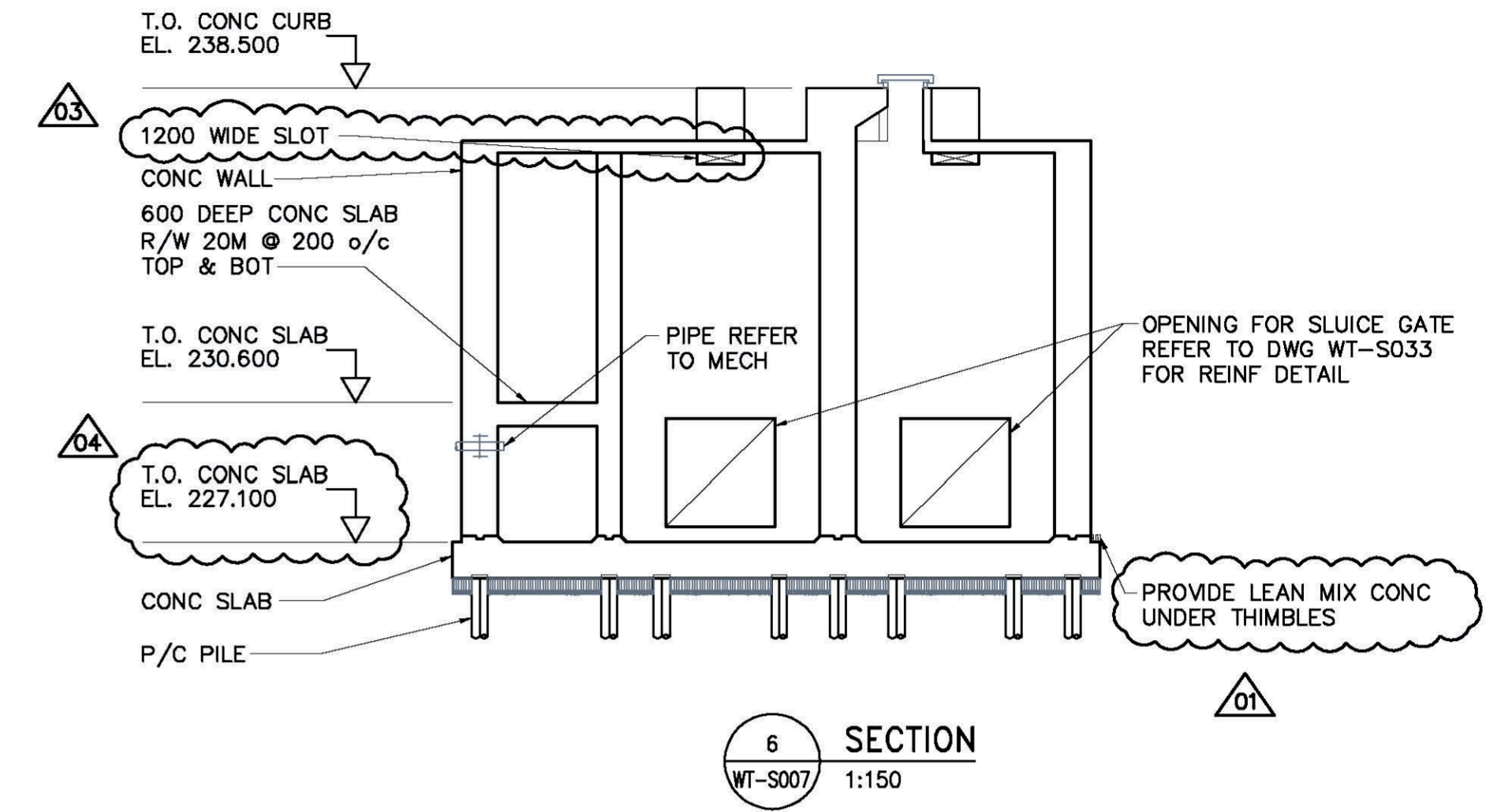


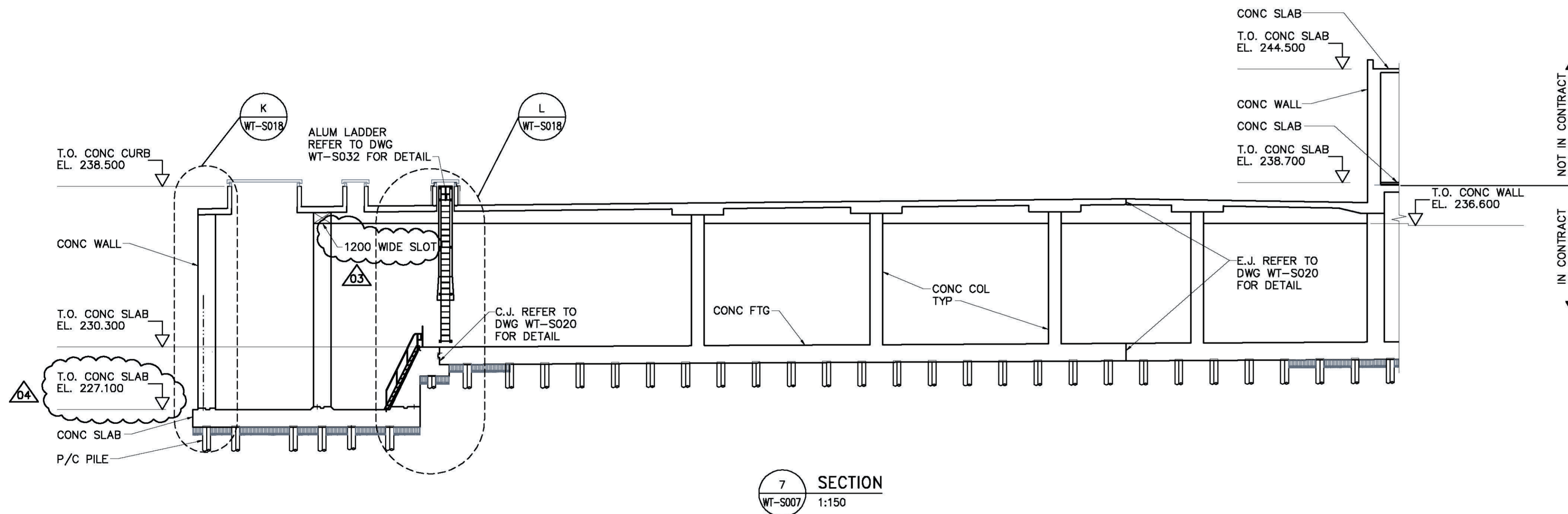
4 SECTION
WT-S007 1:150



5 SECTION
WT-S007 1:150



6 SECTION
WT-S007 1:150



7 SECTION
WT-S007 1:150

INFORMATION ONLY

DRAWING NOTES:
1. REFER TO DRAWING WT-S001 FOR GENERAL NOTES.

APEGM
Certificate of Authorization
Earth Tech Canada Inc.
No. 730 Expiry: April 30, 2006

NO.	REVISIONS	DATE	BY
04	OUTLET FLOOR LOWERED 100	05/09/14	C.T.
03	GENERAL REVISIONS	05/07/25	C.T.
02	ISSUED FOR CONSTRUCTION	05/06/08	C.T.
01	166-2005 ADDENDUM 1	05/05/08	C.T.
00	ISSUED FOR TENDER	05/04/17	C.T.

DESIGNED BY	CHECKED BY	DRAWN BY	APPROVED BY
FK	MK	C.T.	AHL

HOR. SCALE: AS NOTED
VERTICAL SCALE:

ENGINEER'S SEAL
ORIGINAL SIGNED BY
F.A. KEMP
2005/04/17
CONSULTANT DRAWING NO.
WT-S015

THE CITY OF WINNIPEG
WATER AND WASTE DEPARTMENT
ENGINEERING DIVISION

CITY FILE NUMBER
SHEET OF
CITY DRAWING NUMBER
1-0601T-A-S0015-001-04D

STRUCTURAL BUILDING SECTIONS