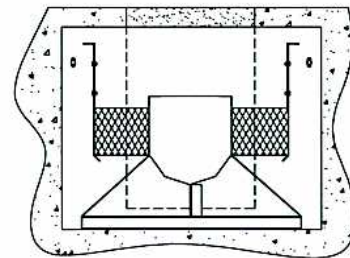
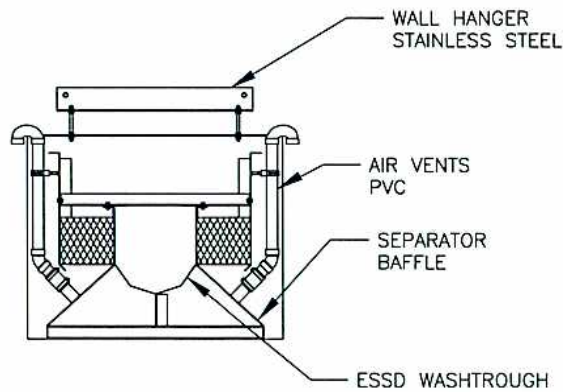
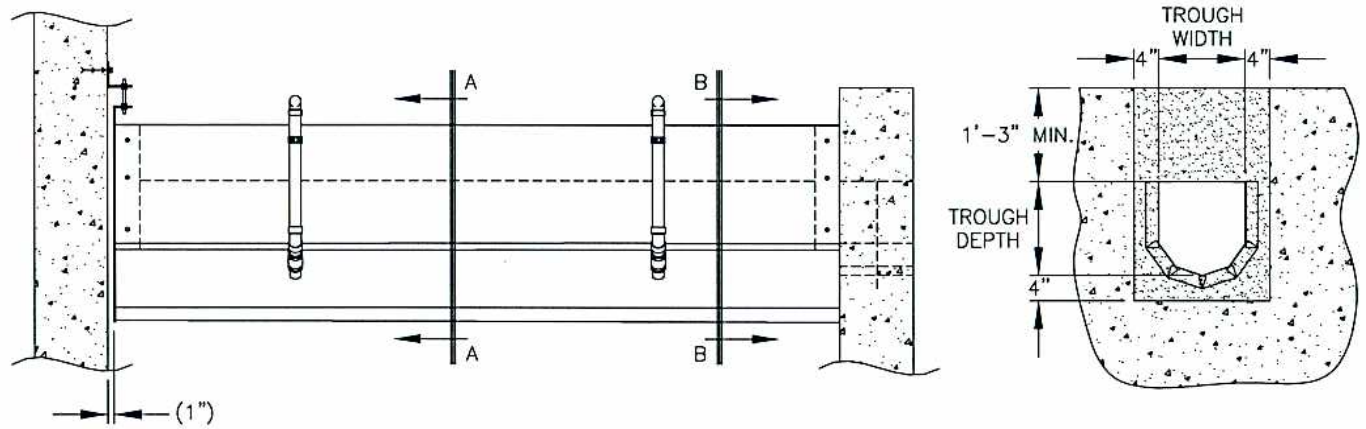
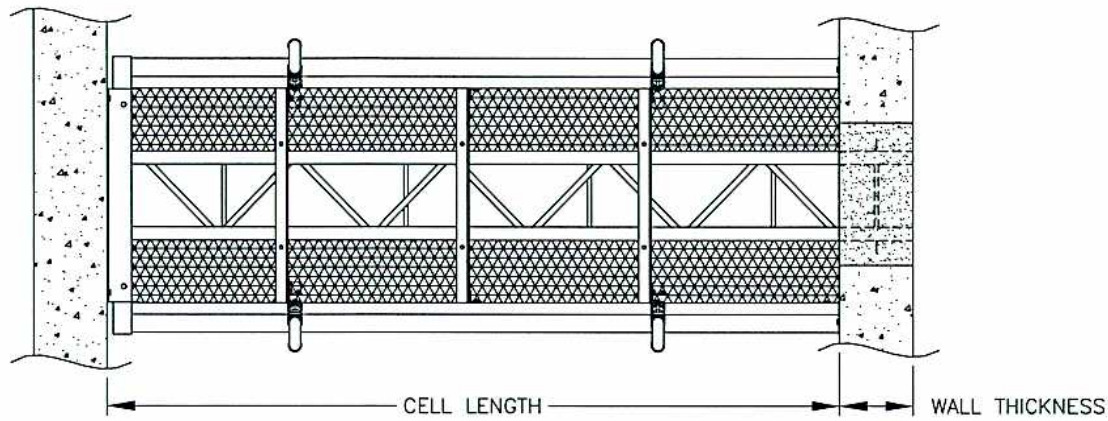


GENERAL FILTER  
LOW-PROFILE MULTIWASH<sup>®</sup> TROUGH SEPARATOR  
 ANTHRACITE, GAC, OR DUAL MEDIA



NOTE: CONFIGURATION SHOWN IS STANDARD

NUMBER TROUGHS	SEPARATOR BAFFLE MTL.	TROUGH WIDTH	TROUGH DEPTH	TROUGH LENGTH	WALL THICKNESS
5/cell	316 SS	0.61 m	0.71 m	9.3 m	

**USFilter**  
 AMES, IOWA

A-28423-0  
 NEW 6-1-96