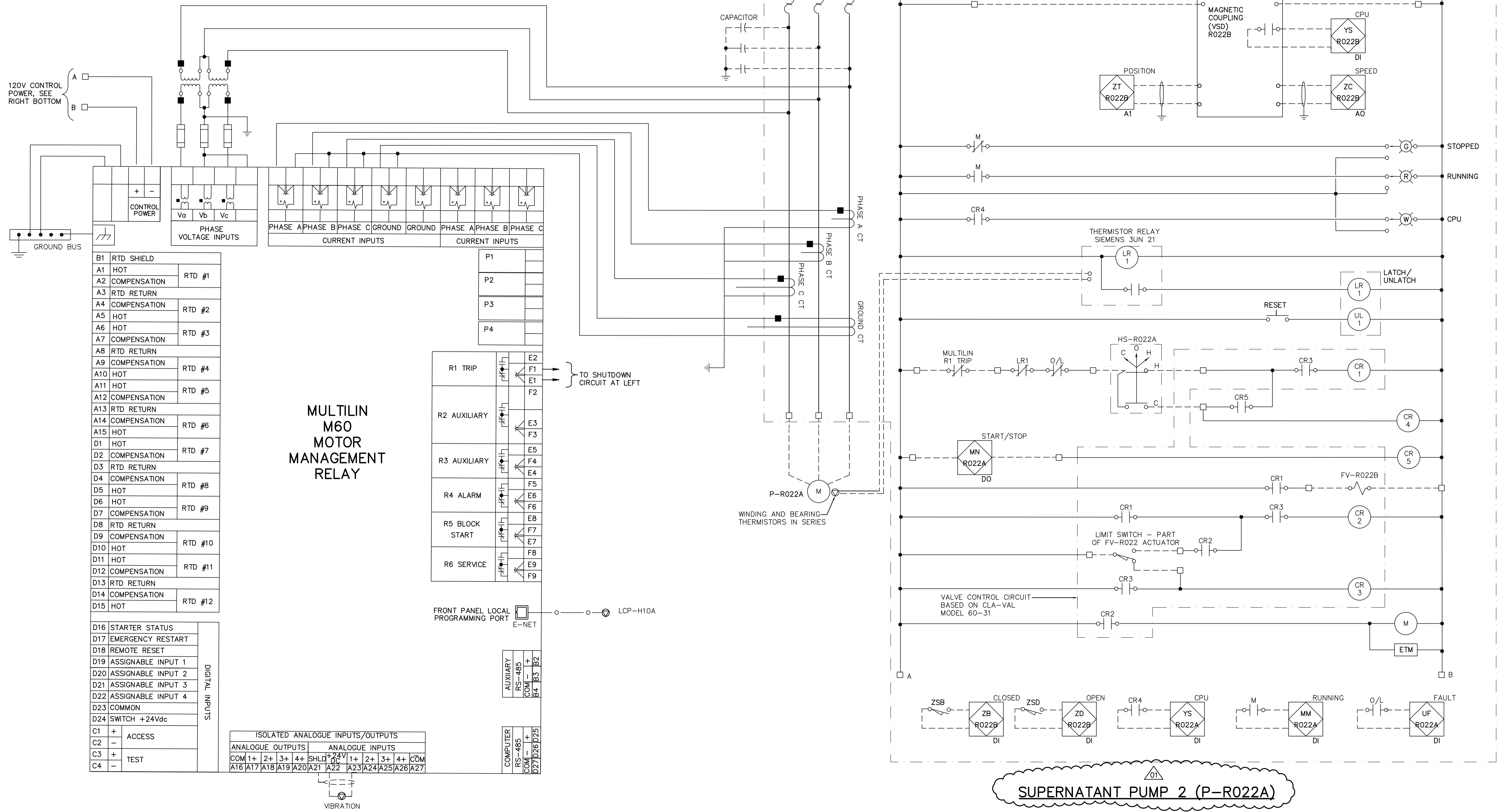
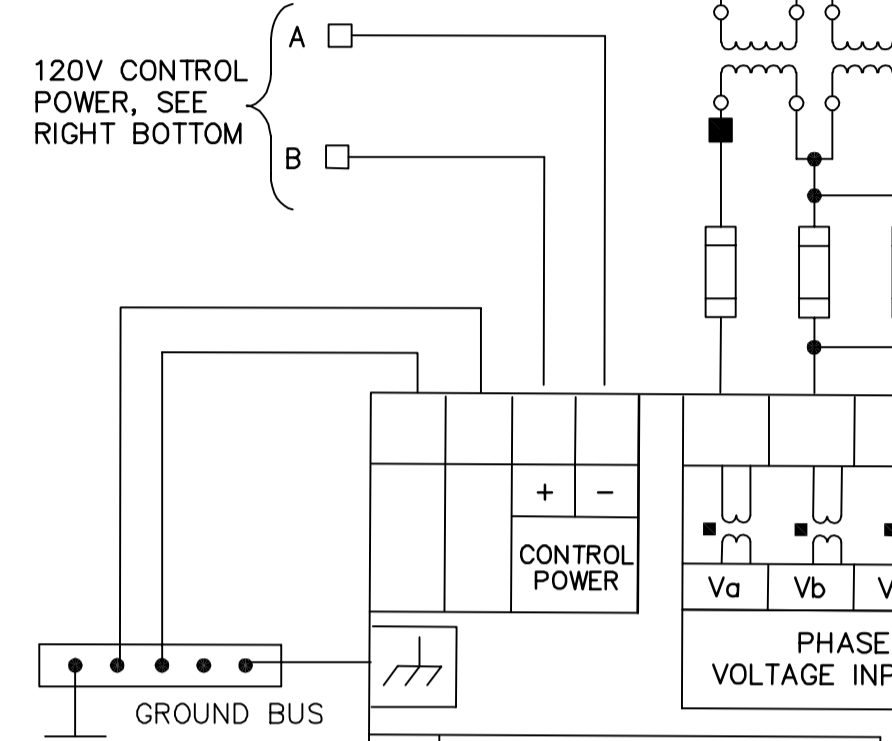


NOTES:
 1. ALLOW 350A VA ADDITIONAL CAPACITY FOR MAGNETIC COUPLING (VSD).
 2. PUMP OPERATION:
 PUMP STARTS AGAINST A CLOSED VALVE. WHEN THE PUMP IS STARTED, THE SOLENOID CONTROL IS ENERGIZED AND THE VALVE BEGINS TO OPEN SLOWLY, GRADUALLY INCREASING LINE PRESSURE TO FULL PUMPING HEAD. WHEN THE PUMP IS SIGNALLED TO SHUT-OFF, THE SOLENOID CONTROL IS DE-ENERGIZED AND THE VALVE BEGINS TO CLOSE SLOWLY, GRADUALLY REDUCING FLOW WHILE PUMP CONTINUES TO RUN. WHEN THE VALVE IS CLOSED THE LIMIT SWITCH RELEASES THE STARTER AND THE PUMP STOPS.



MULTILIN M60 MOTOR MANAGEMENT RELAY



B1	RTD SHIELD	
A1	HOT	RTD #1
A2	COMPENSATION	
A3	RTD RETURN	
A4	COMPENSATION	RTD #2
A5	HOT	
A6	HOT	RTD #3
A7	COMPENSATION	
A8	RTD RETURN	
A9	COMPENSATION	RTD #4
A10	HOT	
A11	HOT	RTD #5
A12	COMPENSATION	
A13	RTD RETURN	
A14	COMPENSATION	RTD #6
A15	HOT	
D1	HOT	RTD #7
D2	COMPENSATION	
D3	RTD RETURN	
D4	COMPENSATION	RTD #8
D5	HOT	
D6	HOT	RTD #9
D7	COMPENSATION	
D8	RTD RETURN	
D9	COMPENSATION	RTD #10
D10	HOT	
D11	HOT	RTD #11
D12	COMPENSATION	
D13	RTD RETURN	
D14	COMPENSATION	RTD #12
D15	HOT	

R1	TRIP	F1	F2
R2	AUXILIARY	E3	F3
R3	AUXILIARY	E5	F4
R4	ALARM	E6	F5
R5	BLOCK START	E8	F7
R6	SERVICE	E9	F8

D16	STARTER STATUS	
D17	EMERGENCY RESTART	
D18	REMOTE RESET	
D19	ASSIGNABLE INPUT 1	
D20	ASSIGNABLE INPUT 2	
D21	ASSIGNABLE INPUT 3	
D22	ASSIGNABLE INPUT 4	
D23	COMMON	
D24	SWITCH +24Vdc	

ANALOGUE OUTPUTS		ANALOGUE INPUTS	
COM 1+	2+	3+	4+
A16	A17	A18	A19
A20	A21	A22	A23
A24	A25	A26	A27

SUPERNATANT PUMP 2 (P-R022A)

<p>Certificate of Authorization CH2M HILL Canada Ltd. No. 1441 Expiry: April 30, 2007</p>	B.M. ELEV.	<p>Frederickson Cooper ARCHITECTS</p>	<p>A Yeo International Ltd. Company</p>	ENGINEER'S SEAL ORIGINAL SIGNED BY L.D. LLEWELLYN 2006/05/05	<p>THE CITY OF WINNIPEG WATER AND WASTE DEPARTMENT ENGINEERING DIVISION</p>
	NO. REVISIONS	DATE BY	DESIGNED BY JT CHECKED BY ND DRAWN BY KJ APPROVED BY AHL SCALE: NTS RELEASED FOR CONSTRUCTION BY: R. SOROKOWSKI DATE 2005/11/08 DATE 2006/05/05	CONSULTANT DRAWING NO. WB-E0555	
WATER TREATMENT PLANT MAIN BUILDING MECHANICAL AND ELECTRICAL		ELECTRICAL CONTROL DIAGRAM		CITY FILE NUMBER SHEET OF CITY DRAWING NUMBER 1-0601B-H-E0555-001-01D	