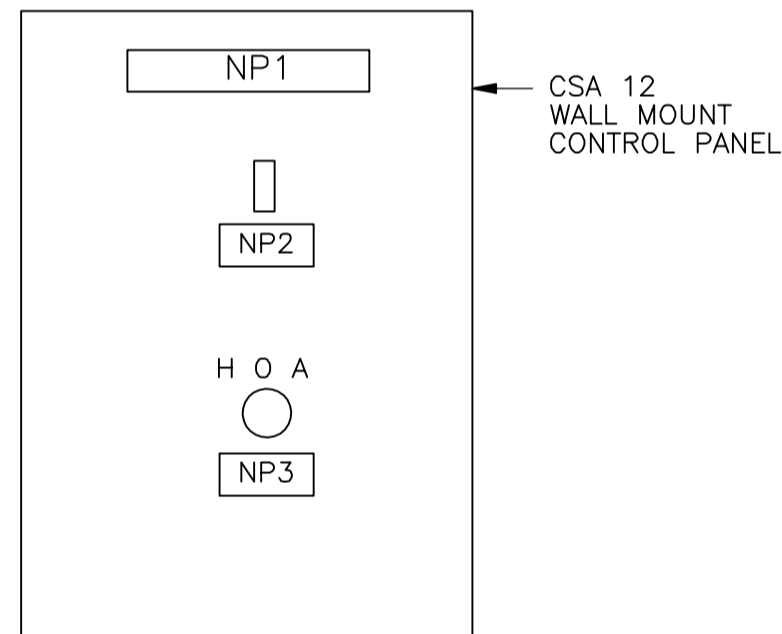


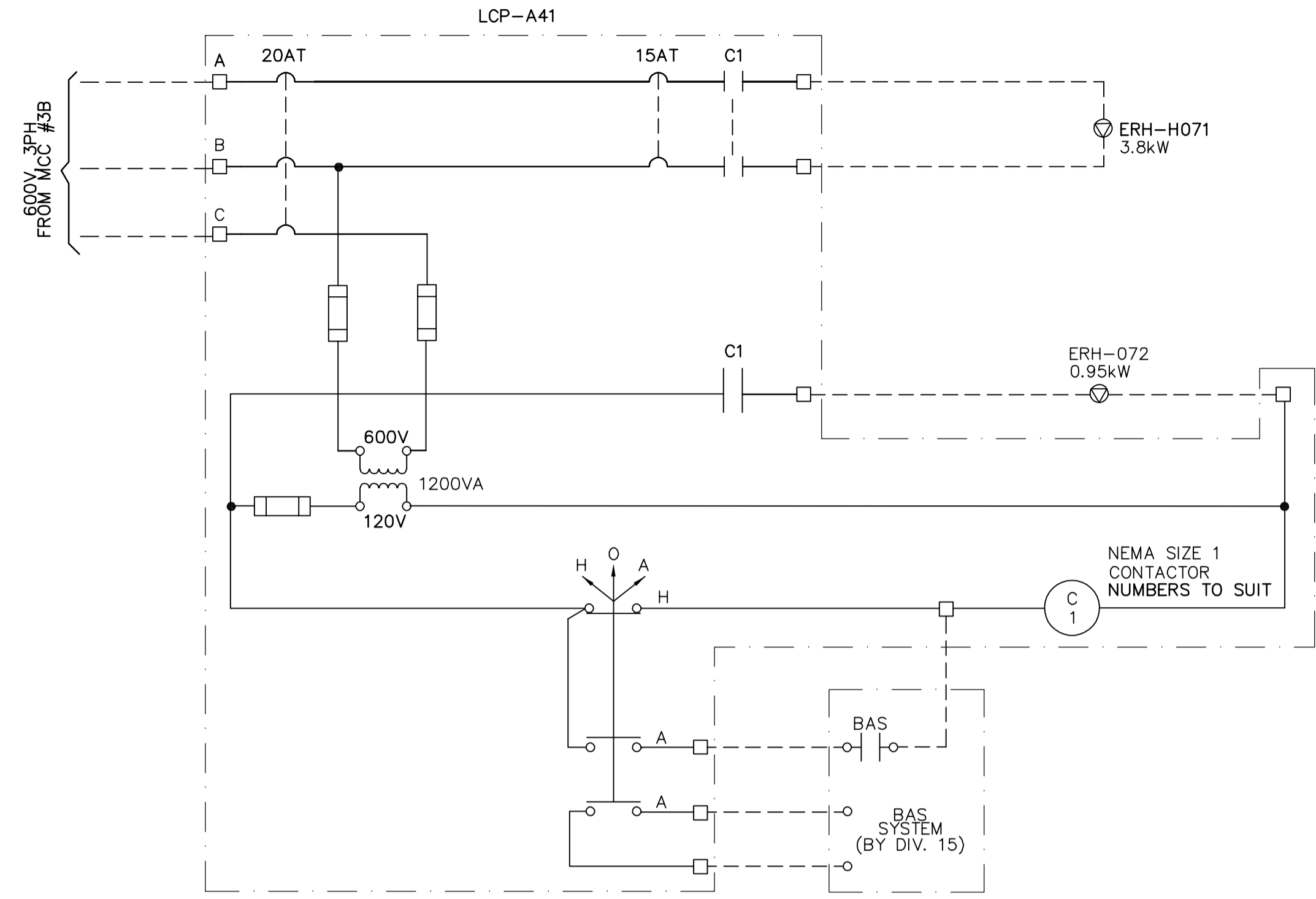
NOTES:
1. LCP-C31 AND ALL FIELD WIRING BY DIVISION 16 EXCEPT WIRING TO BAS SYSTEM BY DIVISION 15.



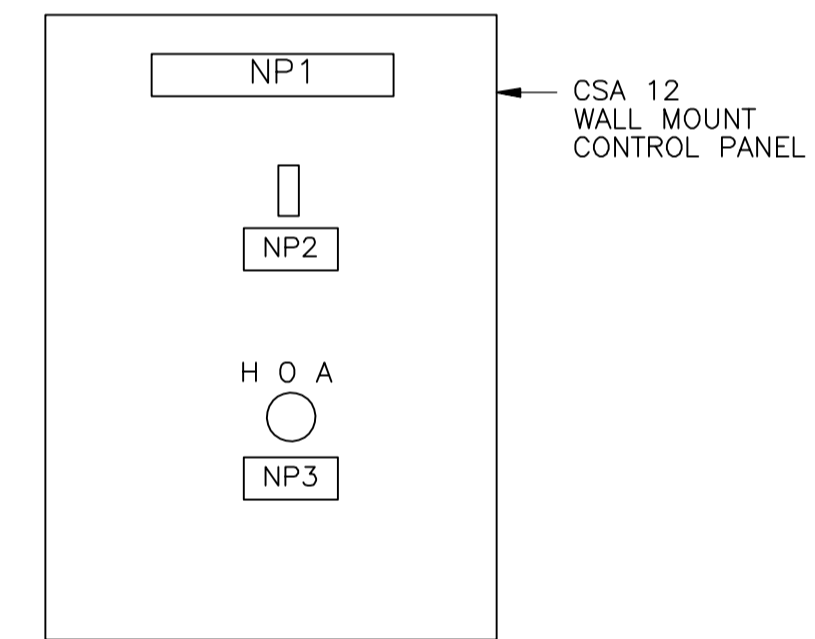
NAMEPLATES

- NP1 - RADIANT HEATER CONTROL PANEL
LCP-C31
- NP2 - MAIN DISCONNECT
- NP3 - H O A SELECTER SWITCH

RADIANT HEATERS – MECHANICAL ROOM No. 3



NOTES:
1. LCP-A41 AND ALL FIELD WIRING BY DIVISION 16 EXCEPT WIRING TO BAS SYSTEM BY DIVISION 15.



NAMEPLATES

- NP1 - RADIANT HEATER CONTROL PANEL
LCP-A41
- NP2 - MAIN DISCONNECT
- NP3 - H O A SELECTER SWITCH

RADIANT HEATERS – MECHANICAL ROOM No. 4

 Certificate of Authorization CH2M HILL Canada Ltd. No. 1441 Expiry: April 30, 2007	B.M. ELEV.	 Frederickson Cooper ARCHITECTS	 A You International Ltd. Company	ENGINEER'S SEAL	 THE CITY OF WINNIPEG WATER AND WASTE DEPARTMENT ENGINEERING DIVISION		
				DESIGNED BY JT		CHECKED BY ND	ORIGINAL SIGNED BY L.D. LLEWELLYN
				DRAWN BY KJ		APPROVED BY AHL	2006/03/29
	01 742-2005 ADDENDUM 3 06/05/05 LL			SCALE: NTS		RELEASED FOR CONSTRUCTION BY: R. SOROKOWSKI	CONSULTANT DRAWING NO. WB-E0563
00 ISSUED FOR TENDER 06/03/29 LL	NO. REVISIONS	DATE BY DATE 2005/11/08	DATE 2006/03/29	WATER TREATMENT PLANT MAIN BUILDING MECHANICAL AND ELECTRICAL	CITY FILE NUMBER		
				ELECTRICAL	SHEET OF		
				CONTROL DIAGRAM	CITY DRAWING NUMBER 1-0601B-H-E0563-001-01D		