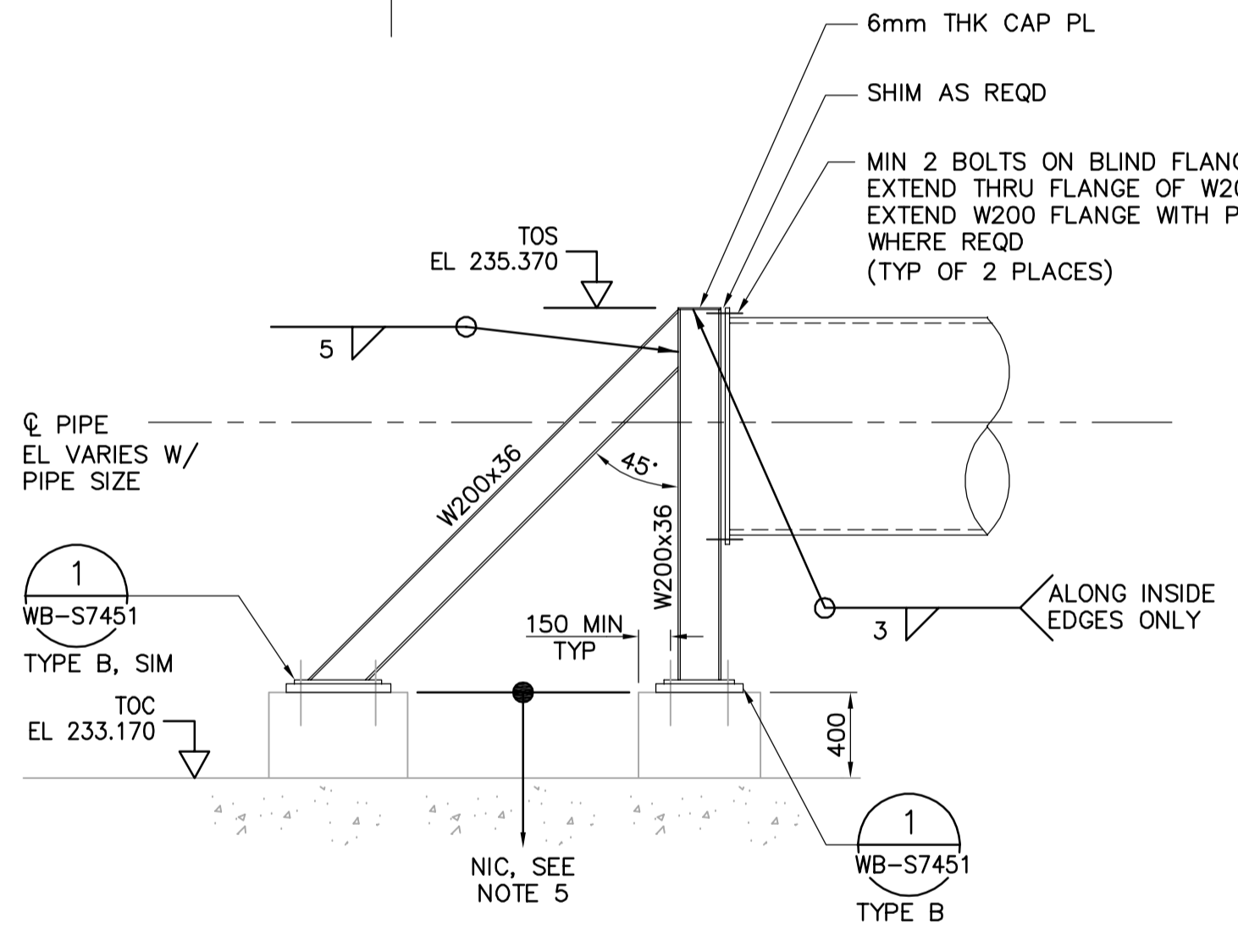


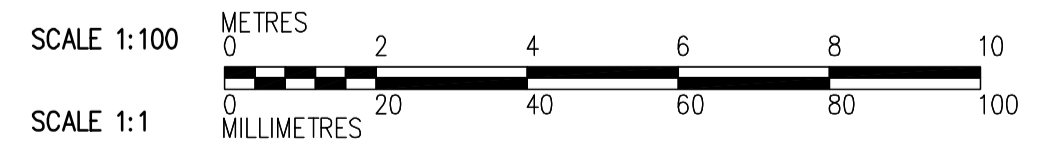
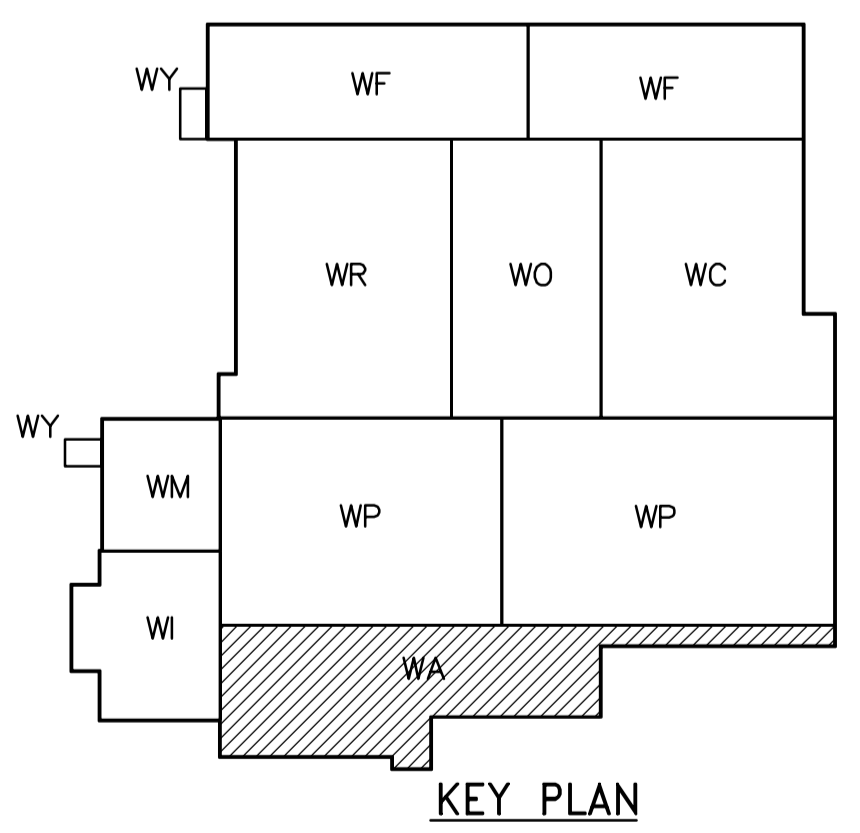
FIRST FLOOR PLAN
1:100



1 THRUST RESTRAINT
N.T.S.

- NOTES:**
1. FIELD VERIFY DIMENSIONS PRIOR TO FABRICATION.
 2. GALVANIZE AFTER FABRICATION.
 3. COLS:
C1= HSS 152x152x6.4 TO U/S OF PLATFORM NO.3 AND STAIR LANDING
C2= HSS 152x152x9.5 CONT TO U/S OF PLATFORM NO.2
C3= HSS 76x76x6.4 TO U/S OF BM1
 4. BMS:
BM1= W150x22
 5. COORDINATE SIZE AND LOCATION OF CONCRETE BASE WITH CONTRACT ADMINISTRATOR.
 6. COLUMN DIMENSIONS SHOWN ON THIS PLAN ARE CENTRE TO CENTRE OF COLUMN LOCATION.

LEGEND:
* GRATING DIMENSIONS



 Certificate of Authorization CH2M HILL Canada Ltd. No. 1441 Expiry: April 30, 2007	B.M. ELEV.	 Frederickson Cooper ARCHITECTS	 A Yoo International Ltd. Company	ENGINEER'S SEAL ORIGINAL SIGNED BY D. KRUGER 2006/04/28	 THE CITY OF WINNIPEG WATER AND WASTE DEPARTMENT ENGINEERING DIVISION WATER TREATMENT PLANT ADMINISTRATION MECHANICAL AND ELECTRICAL STRUCTURAL ADMINISTRATION AREA LOWER LEVEL PLAN	CITY FILE NUMBER
	00 742-2005 ADDENDUM 2 06/04/28 EL	DESIGNED BY EL CHECKED BY AP	DRAWN BY RL/CA APPROVED BY AHL	CONSULTANT DRAWING NO. WA-S7101		SHEET OF
	NO. REVISIONS DATE BY DATE 2005/12/13 DATE 2006/04/28	SCALE: 1:100 RELEASED FOR CONSTRUCTION BY: R. SOROKOWSKI	WA-S7101	CITY DRAWING NUMBER 1-0601A-A-S7101-001-000		