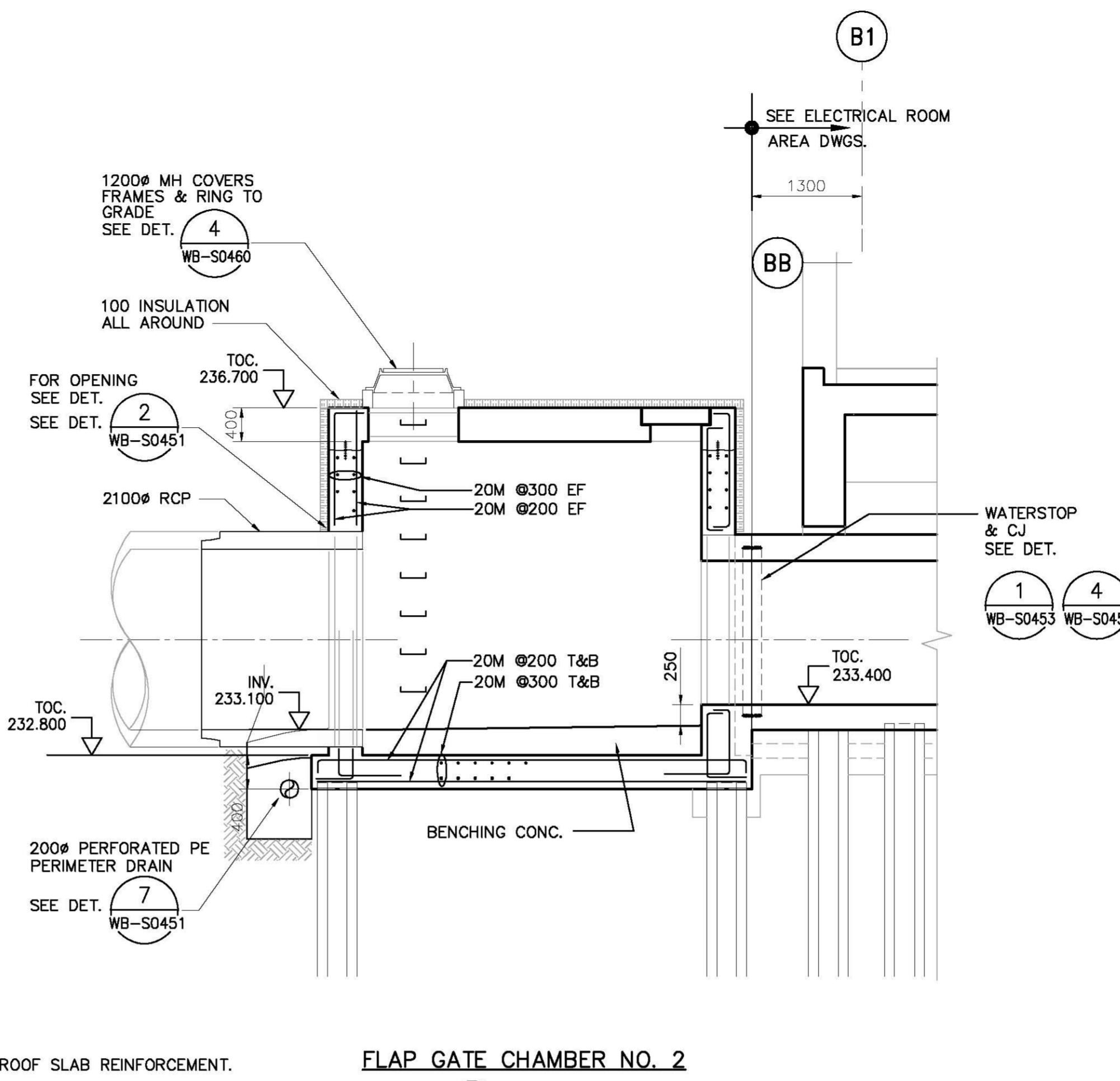
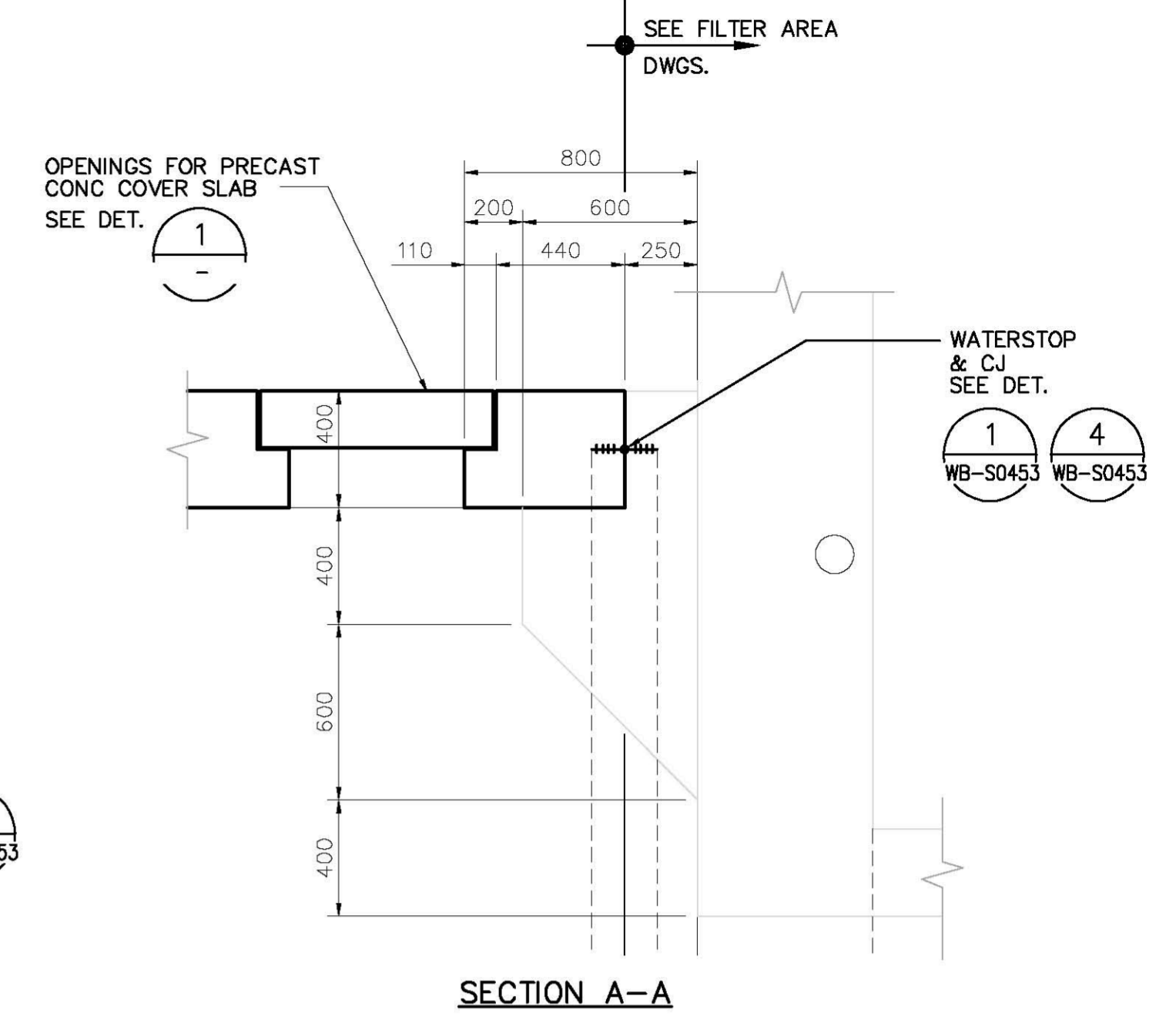


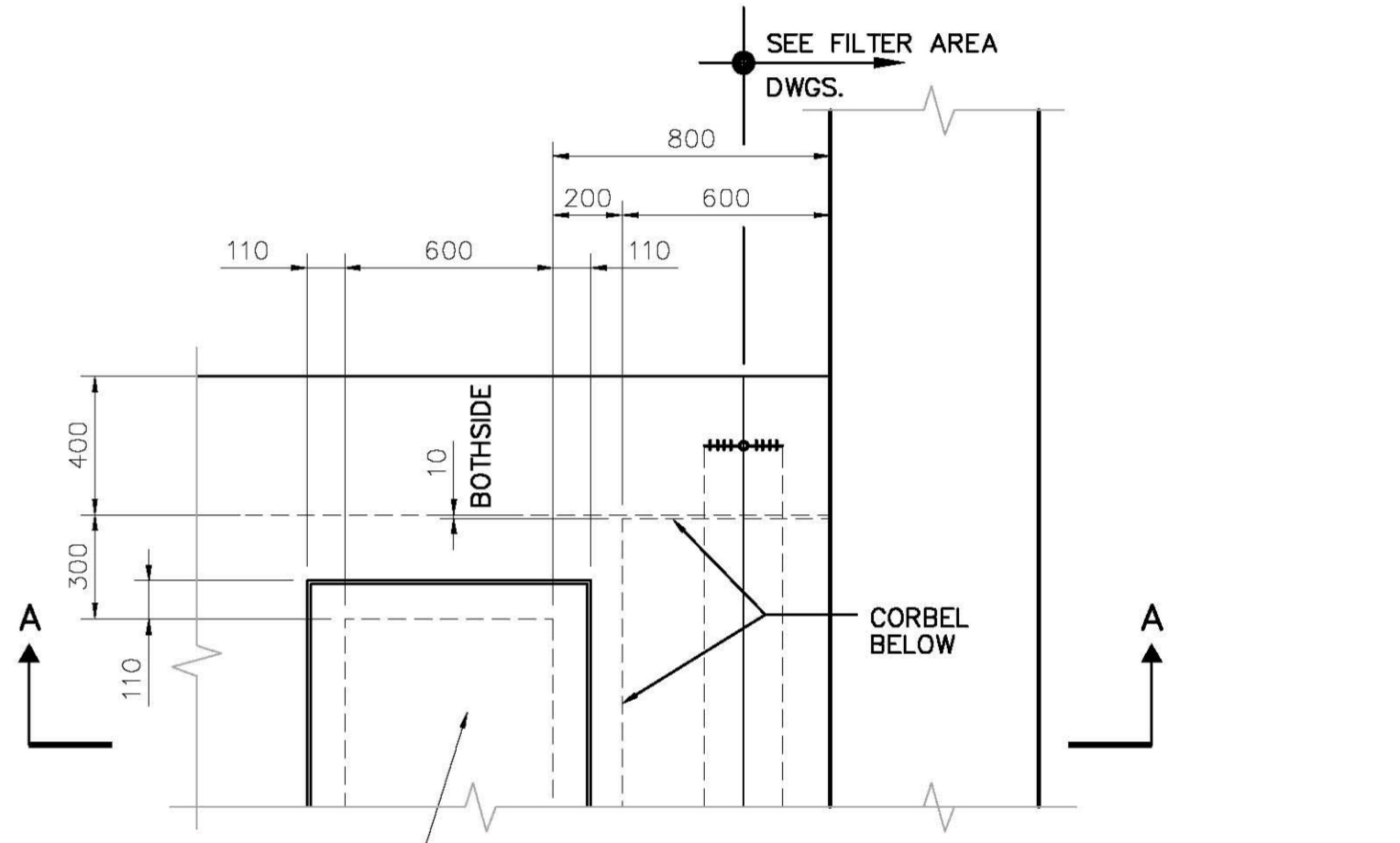
FLAP GATE CHAMBER NO. 1
SECTION A
WY-S0101 1:50



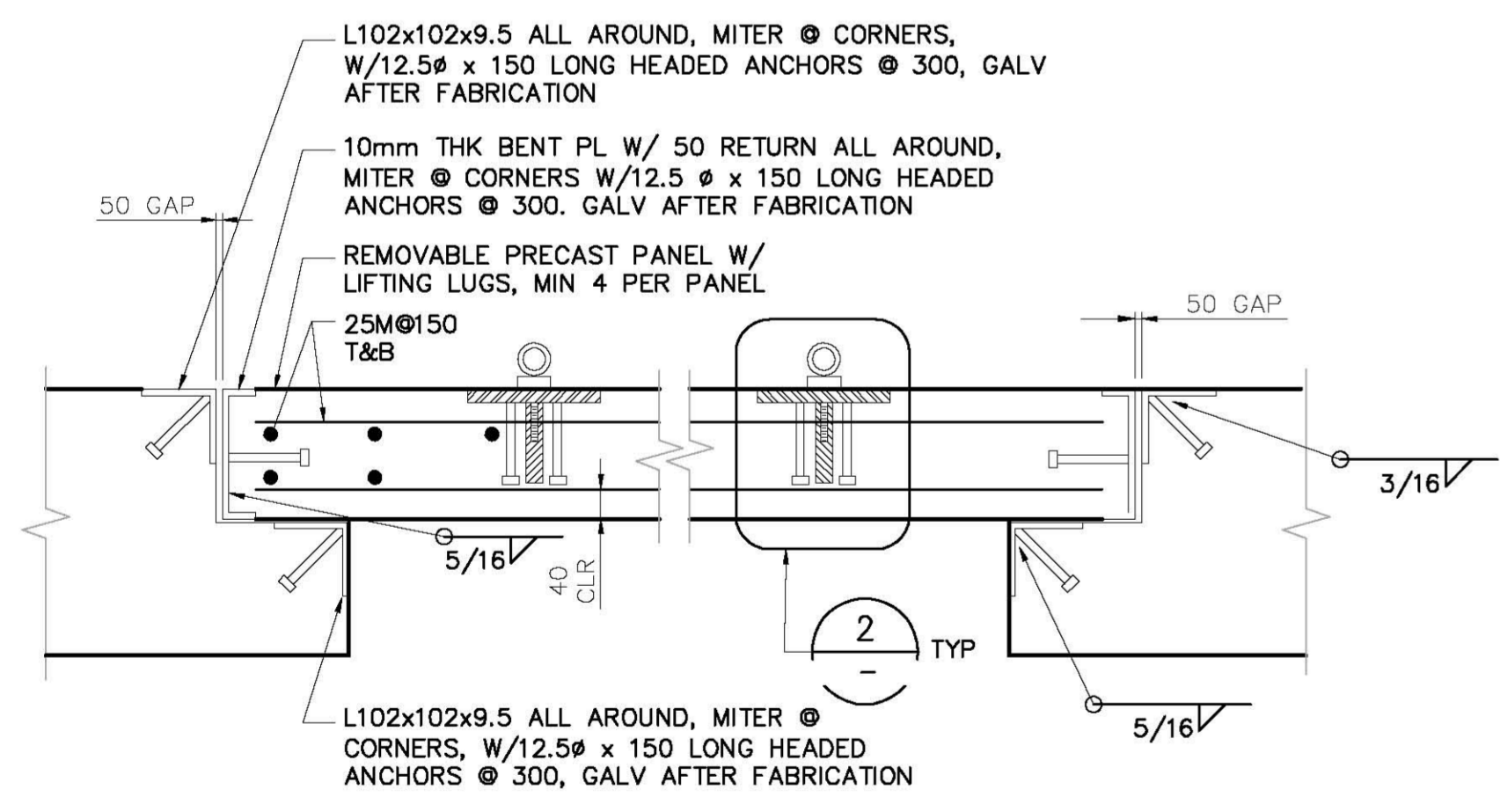
FLAP GATE CHAMBER NO. 2
SECTION B
WY-S0101 1:50



SECTION A-A

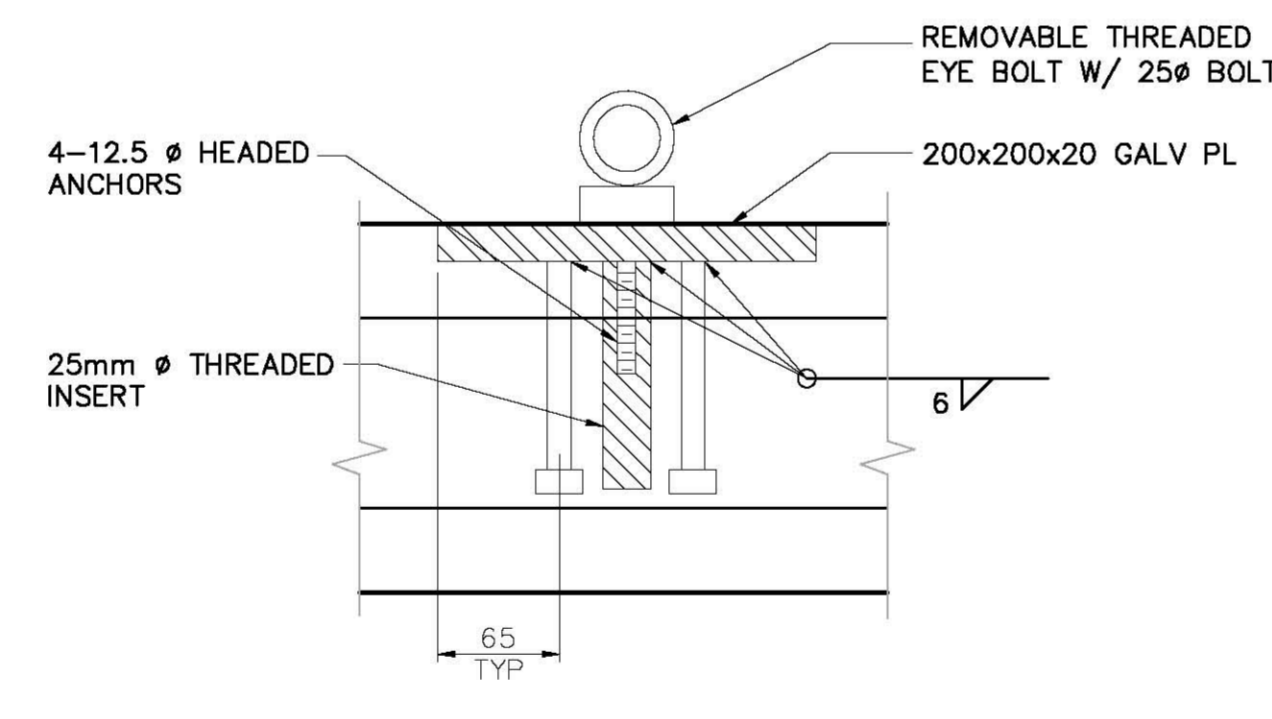


PLAN



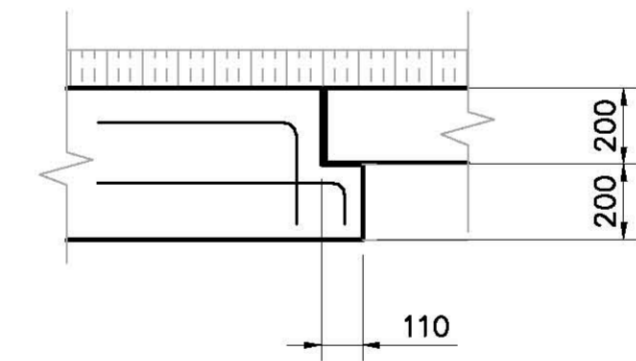
TYPICAL PRECAST COVER PANEL

1 DETAIL
1:10

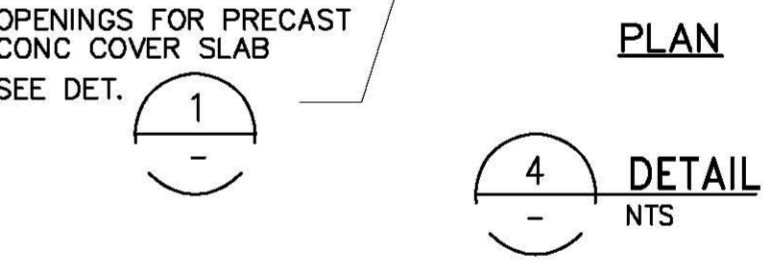


NOTE:
AFTER PANEL INSTALLATION, EYE BOLTS SHALL BE REMOVED AND REPLACED W/ A PLASTIC PLUG. REMOVED BOLTS SHALL BE GIVEN TO OWNER.

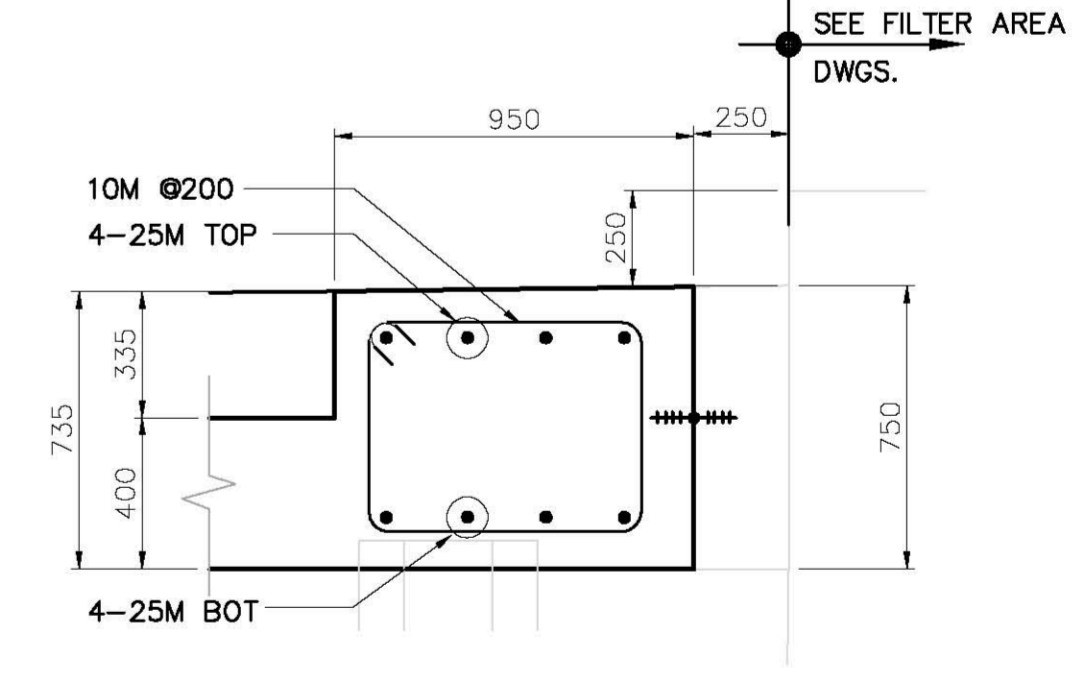
2 DETAIL
1:4



3 DETAIL
NTS



4 DETAIL
NTS



BM1
5 DETAIL
NTS

INFORMATION ONLY

<p>APEGM Certificate of Authorization CH2M HILL Canada Ltd. No. 1441 Expiry: April 30, 2006</p>	<p>Frederickson Cooper ARCHITECTS</p>	<p>EarthTech Ageo International Ltd. Germany</p>	ENGINEER'S SEAL	<p>THE CITY OF WINNIPEG WATER AND WASTE DEPARTMENT ENGINEERING DIVISION</p>		
			DESIGNED BY: KA		CHECKED BY: AP	ORIGINAL SIGNED BY: D. KRUGER
			DRAWN BY: PM		APPROVED BY: DJT	2006/02/06
			SCALE: AS SHOWN		RELEASED FOR CONSTRUCTION BY: R. SOROKOWSKI	CONSULTANT DRAWING NO. WY-S0201
00 ISSUED FOR TENDER	2006/02/03 KA	2005/08/10	2006/02/08	<p>WATER TREATMENT PLANT YARD PIPING AND VALVE CHAMBERS FOUNDATIONS AND CONCRETE STRUCTURES</p> <p>STRUCTURAL FLAP GATES SECTIONS AND DETAILS</p>	<p>CITY FILE NUMBER</p> <p>SHEET OF</p> <p>CITY DRAWING NUMBER 1-06071-A-80201-001-00D</p>	