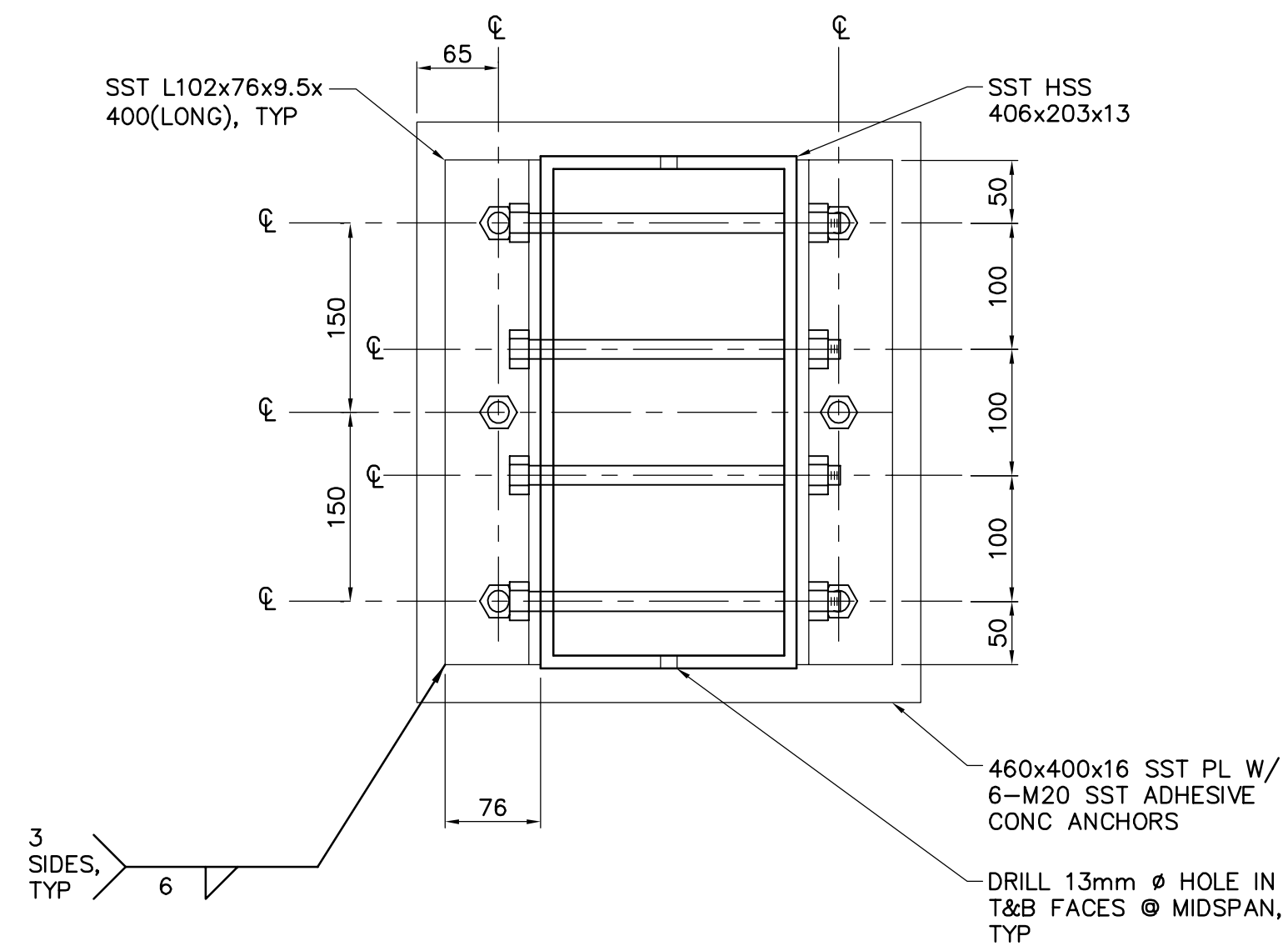
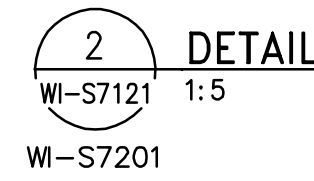


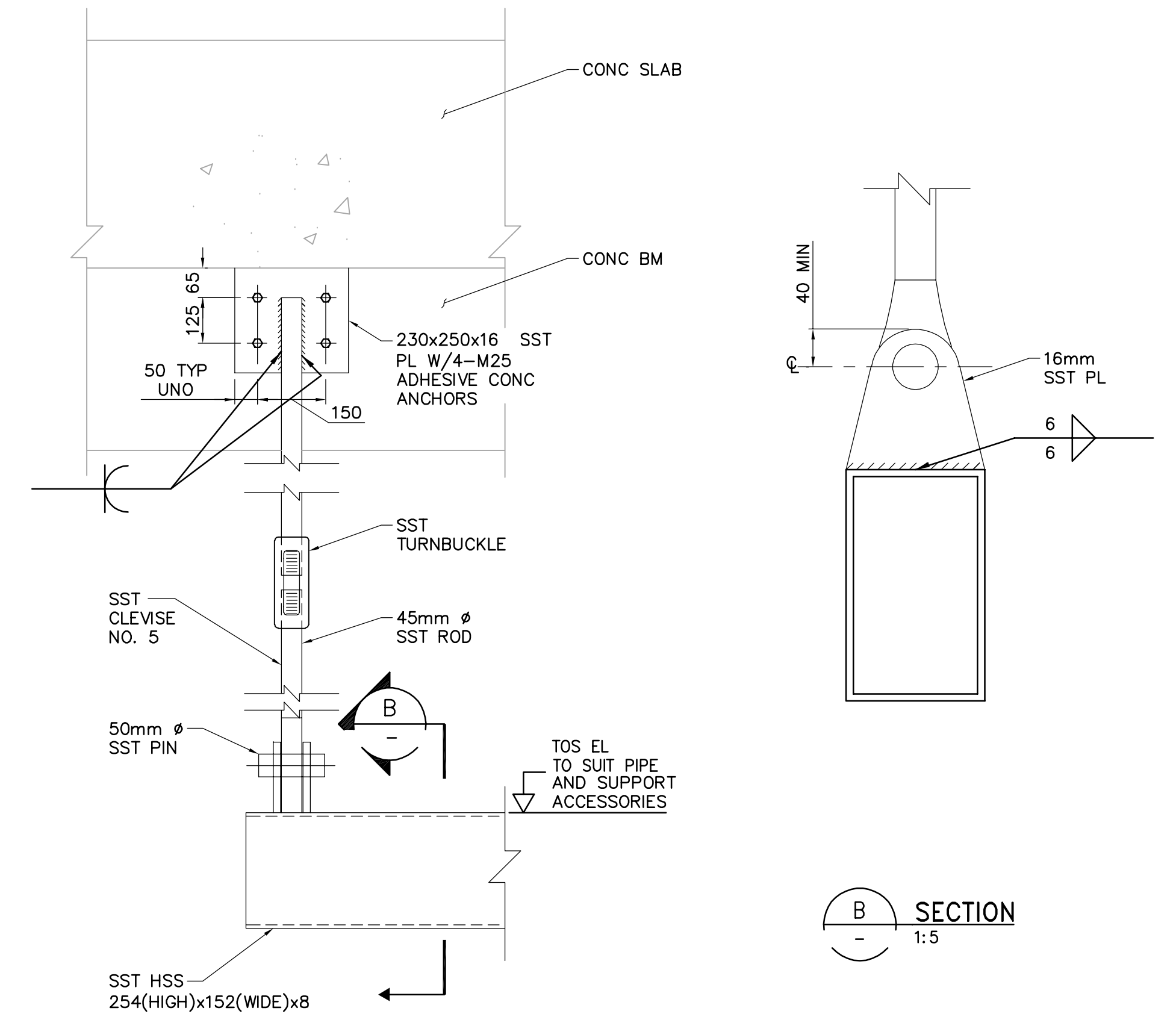
PARTIAL ELEVATION

NOTE:

1. PIPING AND SUPPORT ACCESSORIES NOT SHOWN, COORDINATE WITH MECHANICAL DRAWINGS.



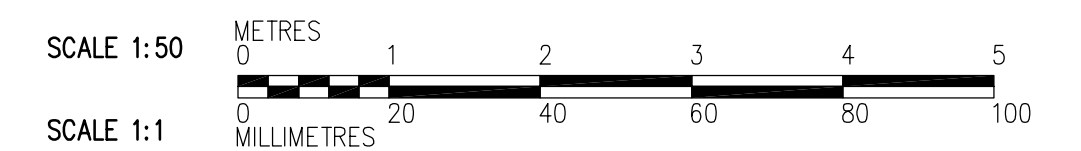
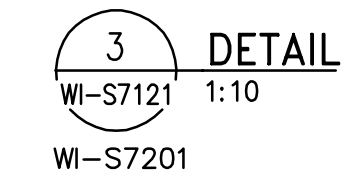
SECTION A
1:5



SECTION B
1:5

NOTE:

1. FOR PIPE SADDLE DETAIL SEE 3 WI-S7402



<p>APEGN Certificate of Authorization CH2M HILL Canada Ltd. No. 1441 Expiry: April 30, 2006</p>	B.M. ELEV.	<p>Frederickson Cooper ARCHITECTS</p>	<p>EarthTech A Geo International Ltd. Company</p>	ENGINEER'S SEAL	<p>THE CITY OF WINNIPEG WATER AND WASTE DEPARTMENT ENGINEERING DIVISION</p>		
	DESIGNED BY EL			CHECKED BY AP		ORIGINAL SIGNED BY D. KRUGER	WATER TREATMENT PLANT INLET WORKS AND RAW WATER PUMPING MECHANICAL AND ELECTRICAL
	DRAWN BY CA			APPROVED BY AHL		2006/04/21	CITY FILE NUMBER
	SCALE: AS NOTED			RELEASED FOR CONSTRUCTION BY: R. SOROKOWSKI		CONSULTANT DRAWING NO. WI-S7401	SHEET OF
NO. REVISIONS	DATE BY	DATE	DATE	STRUCTURAL RAW WATER PUMP STATION AREA DETAILS	CITY DRAWING NUMBER 1-06011-A-S7401-001-000		