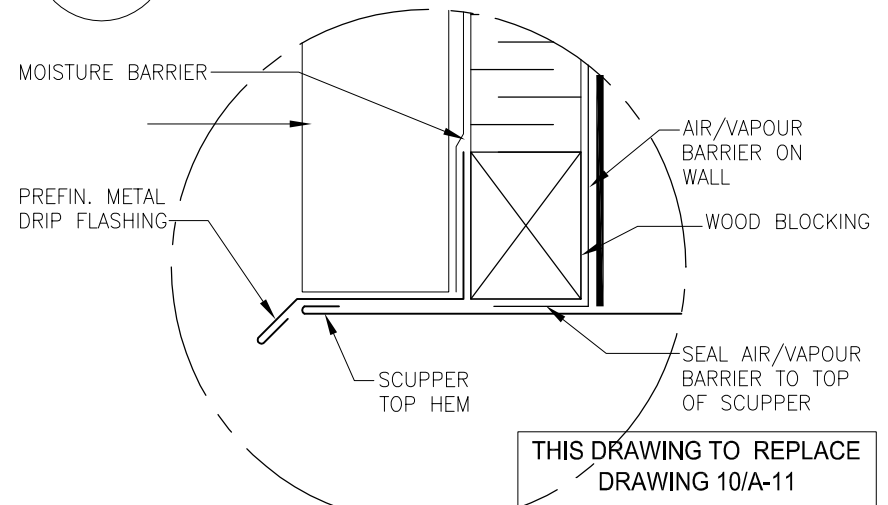


2
RA-5
SCUPPER DRIP HEM
SCALE = 1:5



3
RA-5
SCUPPER TOP HEM
SCALE = 1:5

1
RA-5
REV. DUCT PENETRATION
SCALE = 1:10

THIS DRAWING TO REPLACE DRAWING 6/A-11

THIS DRAWING MUST NOT BE SCALED.

THE GENERAL CONTRACTOR SHALL VERIFY ALL DIMENSIONS, DATUMS, AND LEVELS PRIOR TO COMMENCEMENT OF WORK. ALL ERRORS AND OMISSIONS TO BE REPORTED TO NUMBER TEN ARCHITECTURAL GROUP BEFORE PROCEEDING.

VARIATIONS AND MODIFICATIONS TO WORK SHOWN ON THESE DRAWINGS SHALL NOT BE CARRIED OUT WITHOUT WRITTEN PERMISSION OF NUMBER TEN ARCHITECTURAL GROUP.

THIS DRAWING IS THE EXCLUSIVE PROPERTY OF NUMBER TEN ARCHITECTURAL GROUP AND THE COPYRIGHT IN THE SAME BEING RESERVED TO THEM. IT MAY BE REPRODUCED ONLY WITH THE PERMISSION OF NUMBER TEN ARCHITECTURAL GROUP, IN WHICH CASE THE REPRODUCTION MUST BEAR THEIR NAME.

CONSTRUCTION OF AN ALTERNATE EMERGENCY COMMUNICATIONS CTR.

project

REVISIONS TO ROOF DESIGN

sheet title

scale:

AS SHOWN

drawn by:

KF

checked by:

KF

date:

27/03/06

project no.

04136

sheet no.

RA-5

310 - 115 bannatyne ave.
winnipeg MB canada R3B 0R3
204 942.0981 f 204 947.9626
10@numberten.com

numberTEN
architectural group

112 - 826 north park dr.
victoria BC canada V8W 3B4
250 360.2106 f 250 360.2166
numberten@telus.net

