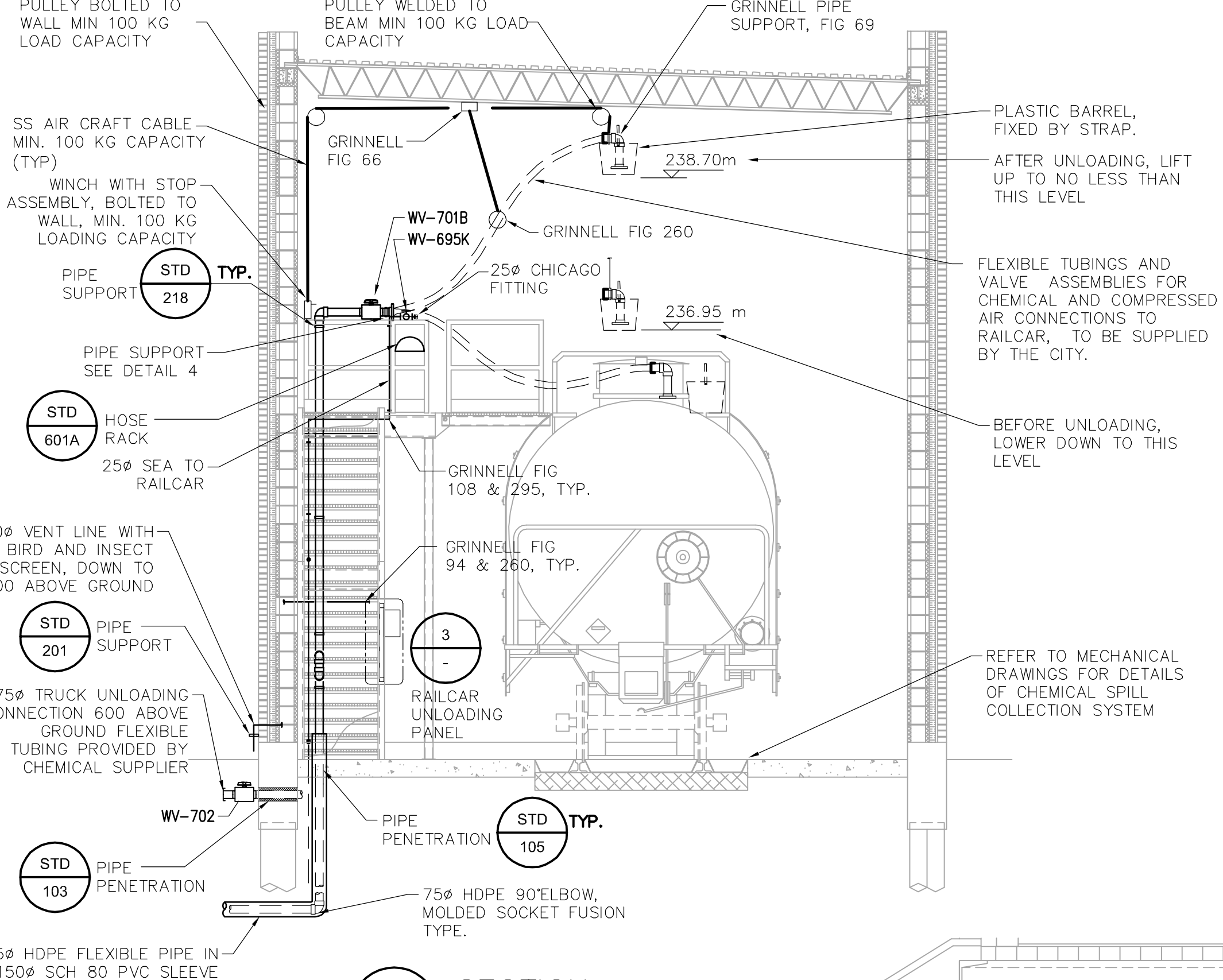
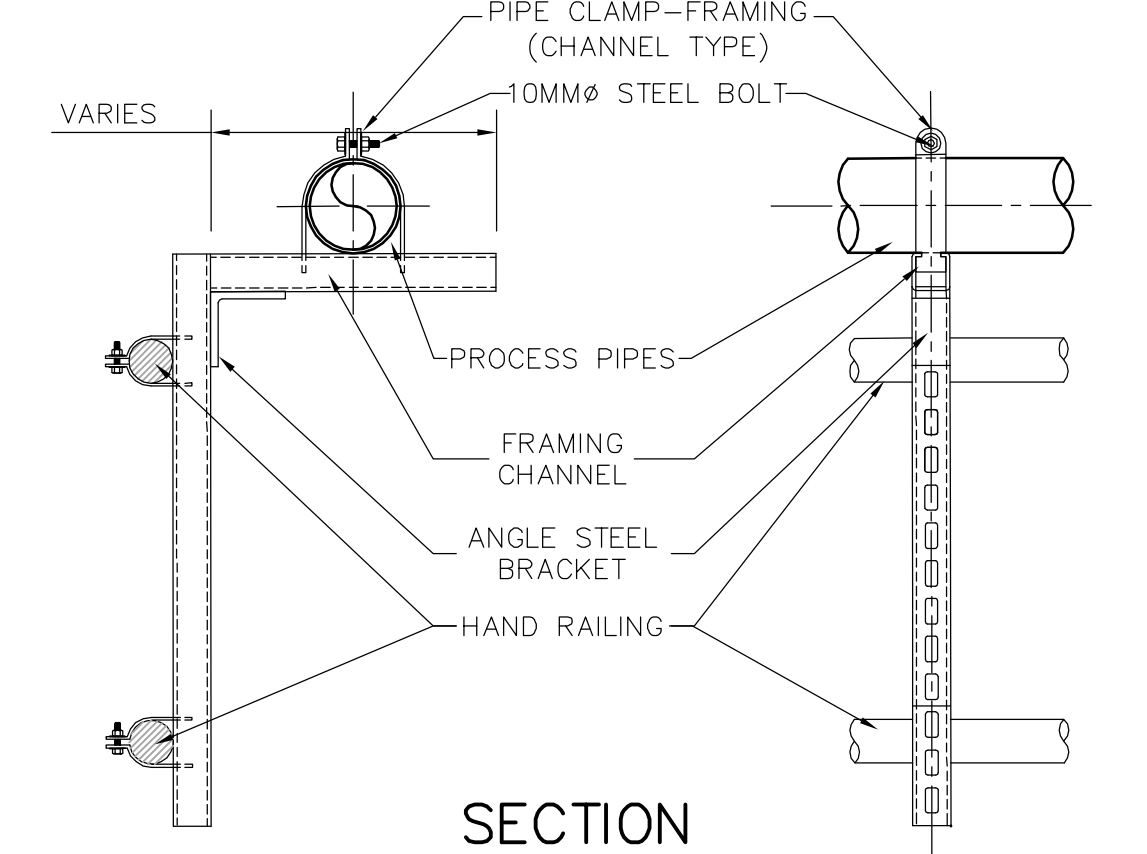


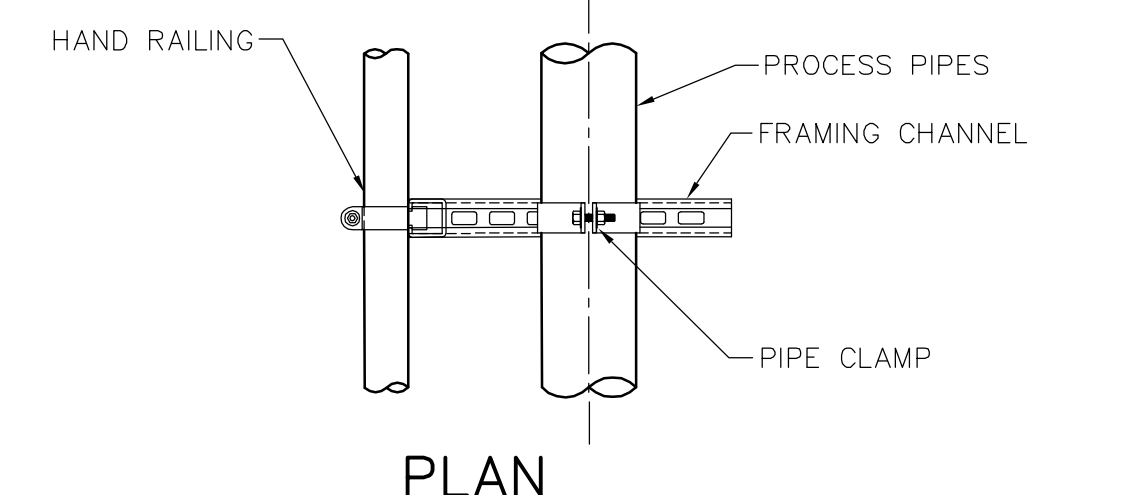
**A** SECTION  
SCALE 1:50



**B** SECTION  
SCALE 1:50

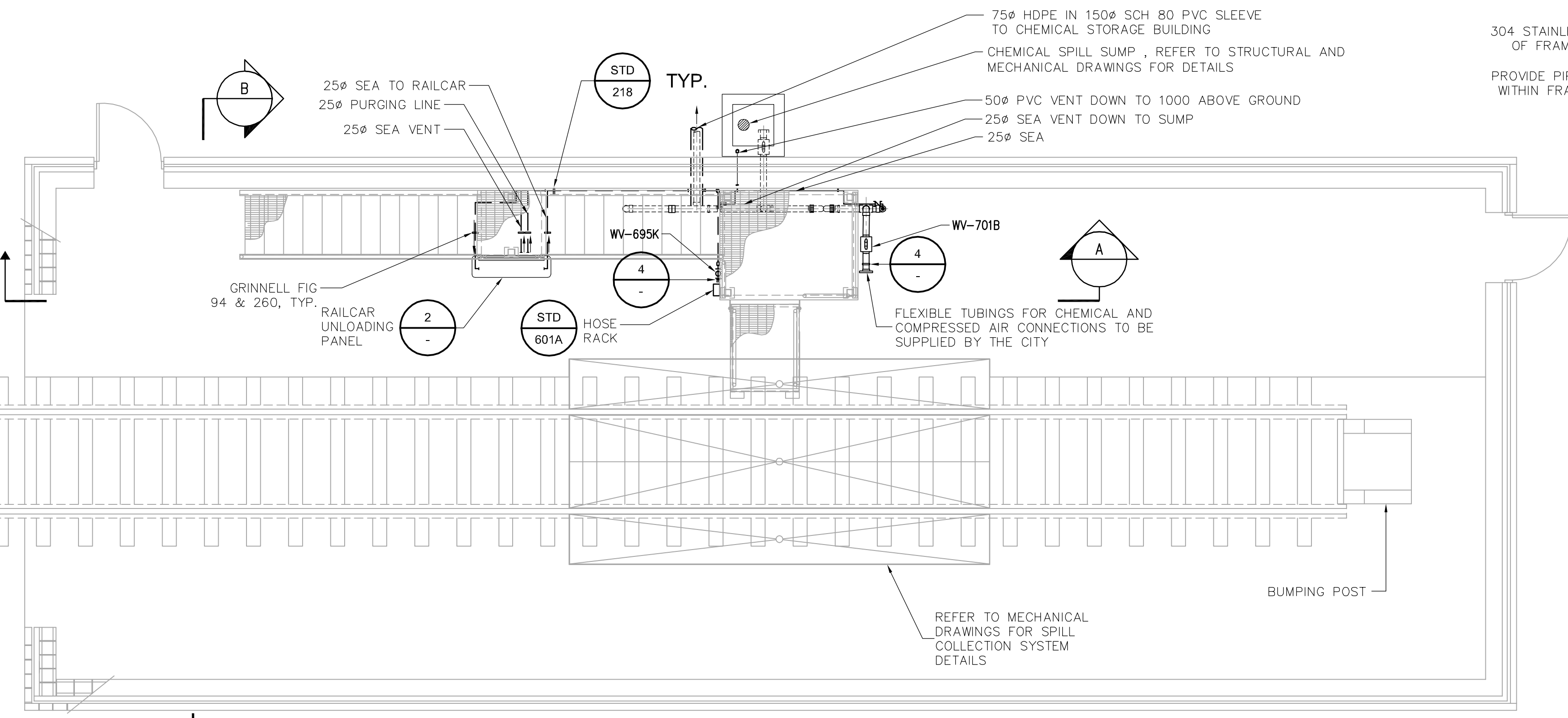


SECTION

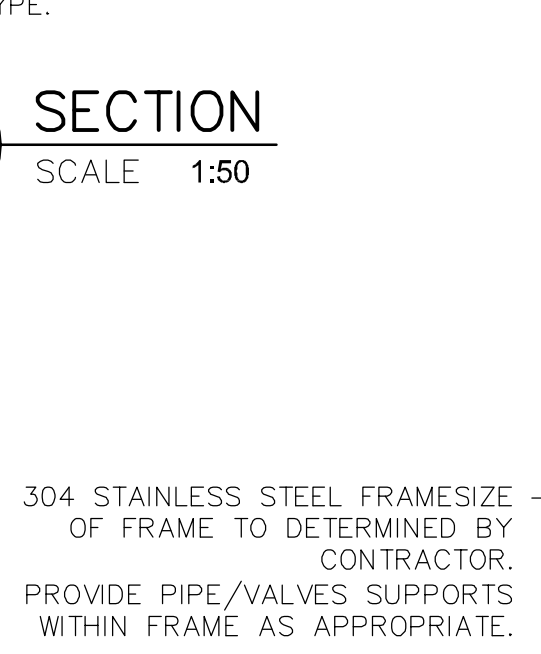


PLAN

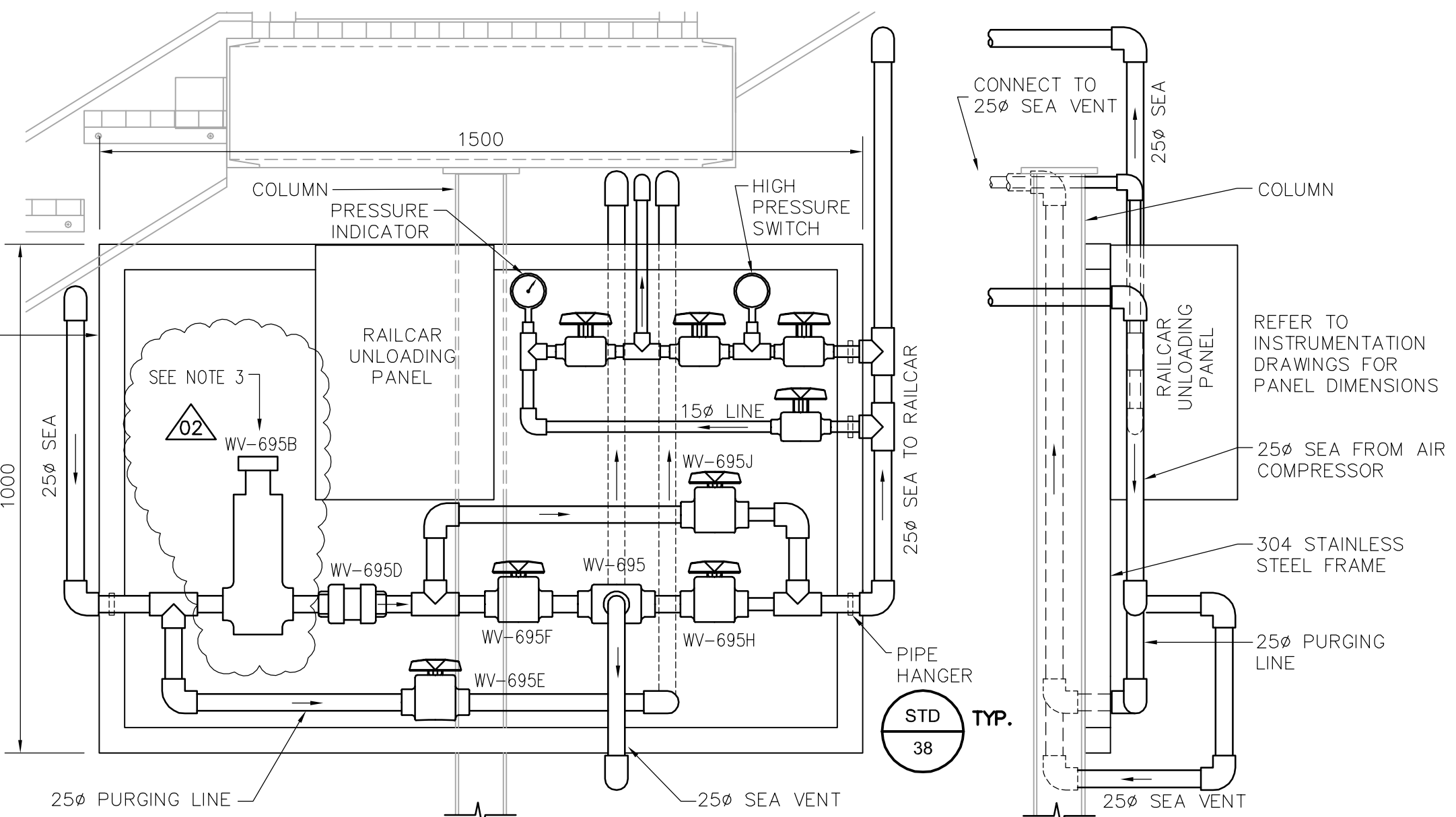
**4** PIPE SUPPORT  
SCALE NTS



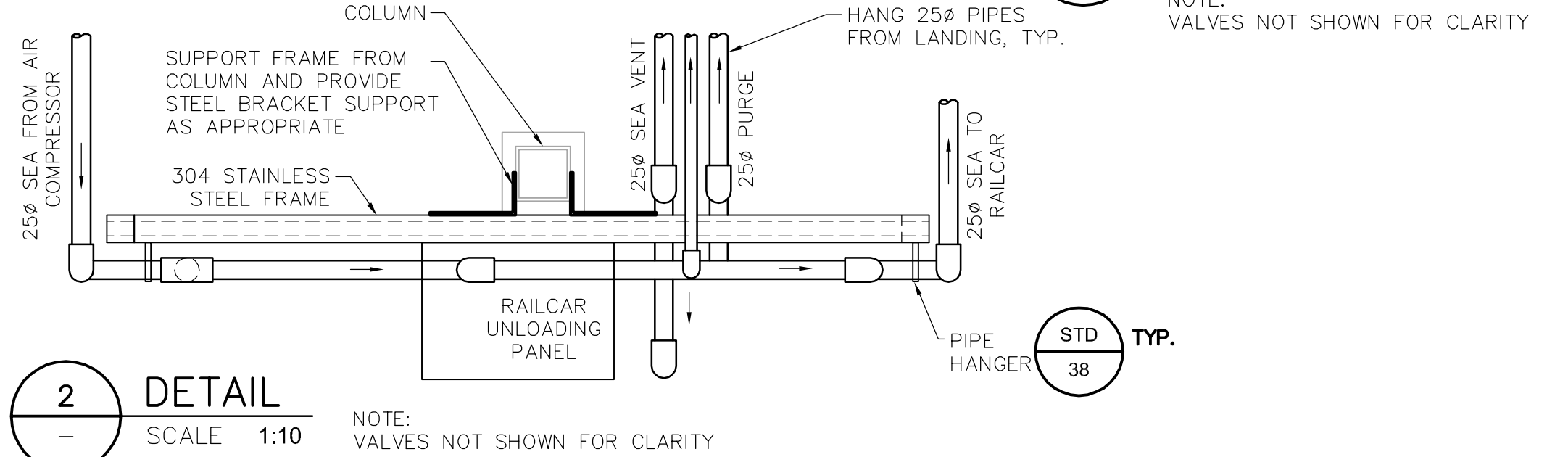
**PLAN**  
SCALE 1:50



**1** DETAIL  
SCALE 1:10



**3** DETAIL  
SCALE 1:10  
NOTE: VALVES NOT SHOWN FOR CLARITY



**2** DETAIL  
SCALE 1:10  
NOTE: VALVES NOT SHOWN FOR CLARITY

- NOTES
- CHECK VALVES TO BE PVC BALL CHECK VALVES WITH VITON SEATS, RATED FOR 150 PSI. VALVES TO BE CHEMLINE, HAYWARD TRUE CHECK, OR EQUIVALENT.
  - PROVIDE WARNING SIGNS AT EACH DOOR ENTRANCE AND ON THE UNLOADING PLATFORM. SIGN TO STATE: WARNING: HAZARDOUS CHEMICAL, WEAR PERSONAL PROTECTIVE EQUIPMENT.
  - PROVIDE "FISHER 95H" SERIES PRESSURE REDUCING REGULATOR, OR SIMILAR APPROVED.



NO.	REVISIONS	DATE	BY
02	611-2005 ADDENDUM 4	06/01/23	LAE
01	611-2005 ADDENDUM 1	06/01/11	LAE
00	ISSUED FOR TENDER	05/12/2	GLG

 A Tyco International Ltd. Company			
DESIGNED BY	LW/SB	CHECKED BY	JEH
DRAWN BY	LAE	APPROVED BY	D. TANIGUCHI
SCALE:	1:50	RELEASED FOR CONSTRUCTION BY:	K. MARTENS
DATE	2005/07/28	DATE	05/12/02

ENGINEER'S SEAL	ORIGINAL SIGNED BY	J.E. HUTCHISON
	DATE	2005/12/02
CONSULTANT DRAWING NO.	CP4-01	

 THE CITY OF WINNIPEG WATER AND WASTE DEPARTMENT ENGINEERING DIVISION	
NEWPCC CENTRATE NUTRIENT TREATMENT PHOSPHORUS REMOVAL FACILITY CONTRACT No. 1	CITY FILE NUMBER
PROCESS RAILCAR SHELTER PLAN AND SECTIONS	SHEET OF
	CITY DRAWING NUMBER 1-00F-A-P0001-001-02-D